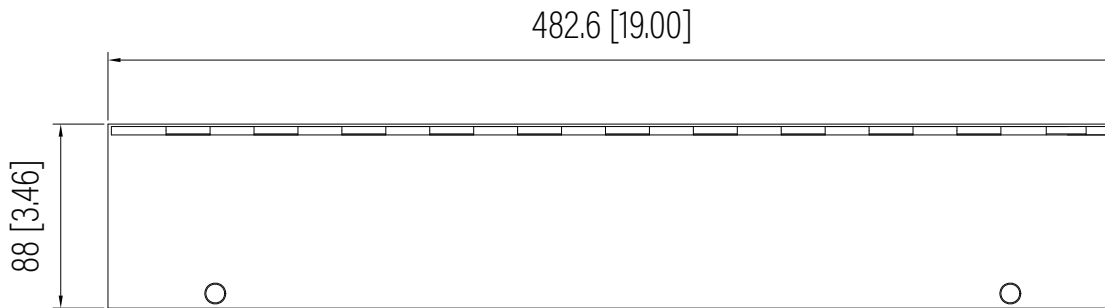
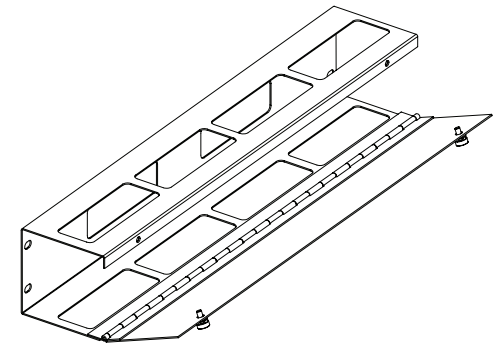
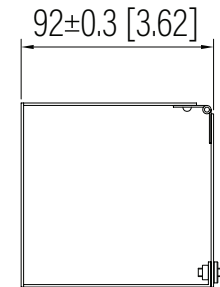


Top View



Front View



Side View

Dimension: mm [inches]

| SPECIFICATIONS | |
|------------------|------------------|
| Model | CMS-2-MH |
| Size | 2U |
| Width | 482.6mm / 19.00" |
| Depth | 92mm / 3.62" |
| Height | 88mm / 3.46" |
| Loading Capacity | - / - |
| Volume (CBM) | 0.004 |

 **MAINFRAME** M.F.G.
www.mainframemfg.com

CMS-2-MH

SHEET 1 of 1