

# HDMI 2.0 Extender Kit, 50M

## User Manual

**500408**



## Table of Contents

1. Safety Precautions.....	3
2. Introduction.....	4
3. Features.....	4
4. Package Contents.....	4
5. Specifications.....	5
6. Operation Controls and Functions.....	6
6.1 Transmitter Panel.....	6
6.2 Receiver Panel.....	7
6.3 IR Pin Definition.....	7
7. Application Example.....	9

## 1 Safety Precautions

To ensure the best performance from the product, please read all instructions carefully before using the device. Save this manual for future reference.

- Follow basic safety precautions to reduce the risk of fire, electrical shock, and injury.
- Do not dismantle the housing or modify the module. It may result in electrical shock or burns.
- Do not open or remove the housing of the device as you may be exposed to dangerous voltage or other hazards.
- To prevent fire or shock hazard, do not expose the unit to rain, moisture and do not install this product near water. Keep the product away from liquids.
- Spillage into the housing may result in fire, electrical shock, or equipment damage. If an object or liquid falls or spills on the housing, unplug the module immediately.
- Do not use liquid or aerosol cleaners to clean this unit. Always unplug the power to the device before cleaning.
- Using supplies or parts not meeting the product specifications may cause damage, deterioration or malfunction.
- Refer all servicing to qualified service personnel.
- Install the device in a place with adequate ventilation to avoid damage caused by overheat.
- Unplug the power when left unused for a long period of time.
- Information on disposal of devices: do not burn or mix with general household waste, please treat them as normal electrical waste.

### Copyright Notice

All contents in this manual are copyrighted, and cannot be cloned, copied, or translated without the express permission of MuxLab Inc. Product specifications and information in this document are for reference only, and the content may be updated from time to time without prior notice.

## 2 Introduction

The HDMI 2.0 Extender Kit, 50m (Model: 500408) allows extend a high-definition video/ audio signals and one-way IR commands up to 164ft/50m between the transmitter and receiver over a single Cat5e/6 cable. This extender supports up to 4K/60Hz 4:4:4 video resolution, 18Gbps bandwidth, HDCP 2.2., HDMI Loop-out on the Transmitter, and one-way IR pass-through enabling source control.

The extender includes one Transmitter unit and Receiver unit. The Transmitter unit is responsible for capturing HDMI input signal and carries the signal via one Cat5e/6 cable, and emitting IR control signals. The Receiver unit is responsible for receiving the HDMI signal and capturing IR control signals.

## 3 Features

- HDMI 2.0, HDCP 2.2 / HDCP 1.4 and DVI 1.0 compliant
- Supports 18Gbps bandwidth
- Supports input and output video resolution up to 4K/60Hz 4:4:4, extends distance up to 164ft /50m
- Supports one HDMI loop output
- Supports one-way IR pass-through
- Supports HDR function
- Supports PoC (Power over Cable) function, it means that either transmitter or receiver is powered supply by 12VDC/1A power adapter, the other doesn't need power supply
- Supports automatic copy EDID function
- Compact design for easy and flexible installation

## 4 Package Contents

- One (1) HDMI 2.0 Extender (Transmitter)
- One (1) HDMI 2.0 Extender (Receiver)
- One (1) IR Blaster cable (1.5 meters)
- One (1) 20~60KHz IR Receiver cable(1.5 meters)
- One (1) 12VDC/1A Locking Power adapter
- Four (4) Mounting Ears
- One (1) User manual (available via download)

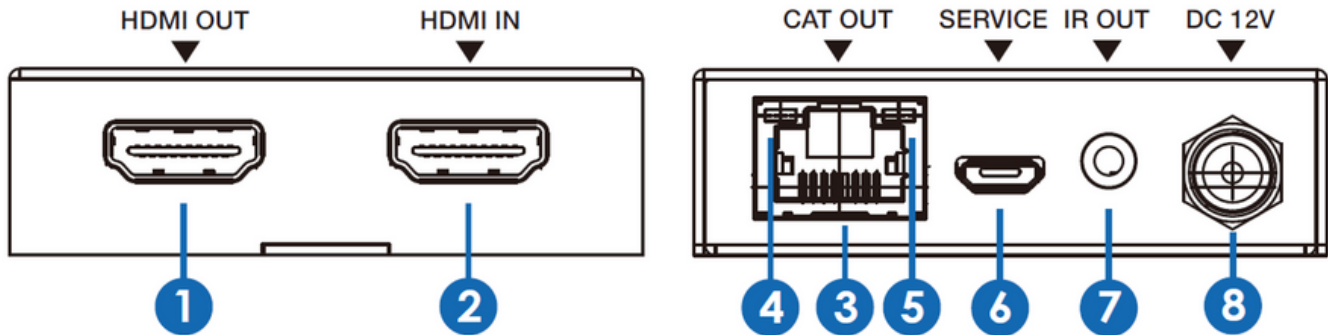
**Notes:** Confirm that the product and accessories are all included. If not, please contact the supplier from which you purchased the unit.

## 5 Specifications

Technical	
HDMI Compliance	HDMI 2.0
HDCP Compliance	HDCP 2.2 / HDCP 1.4
Video Bandwidth	18Gbps
Video Resolution	Up to 4K/60Hz 4:4:4
Color Space	RGB / YCbCr 4:4:4, YCbCr 4:2:2/4:2:0, YUV 4:4:4
Color Depth	8/10/12-bit (1080P/60Hz, 4K/30Hz, 4K/60Hz YCbCr 4:2:2/4:2:0) 8-bit (4K/60Hz 4:4:4)
HDMI Audio Formats	LPCM 2.0/2.1/5.1/6.1/7.1, Dolby Digital, Dolby TrueHD, Dolby Digital Plus(DD+), DTS-ES, DTS HD Master, DTS HD-HRA, DTS-X
ESD Protection	Human body model — ±8kV (Air-gap discharge) & ±4kV (Contact discharge)
Connection	
Transmitter	Inputs: 1 x HDMI Type A [19-pin male] 1 x SERVICE [Micro USB, Update port] Outputs: 1 x HDMI Type A [19-pin female] 1 x IR OUT [3.5mm Stereo Mini-jack] 1 x CAT OUT [RJ45, 8-pin female]
Receiver	Inputs: 1 x IR IN [3.5mm Stereo Mini-jack] 1 x CAT IN [RJ45, 8-pin female] 1 x SERVICE [Micro USB, Update port] Outputs: 1 x HDMI Type A [19-pin female]
Mechanical	
Housing	Metal Enclosure
Color	Black
Dimensions	Transmitter / Receiver: 61mm [W] x 88mm [D] x 18mm [H]
Weight	Transmitter: 160g, Receiver: 155g
Power Supply	Input: 100 - 240VAC 50/60Hz Output: 12VDC/1A
Power Consumption	3.84W
Operating Temperature	32 - 104°F / 0 - 40°C
Storage Temperature	-4 - 140°F / -20 - 60°C
Relative Humidity	20 - 90% RH (no condensation)
Generic Specification	
Warranty	2 years
Order Information	500408 HDMI 2.0 Extender Kit, 50M (UPC: 627699004081)

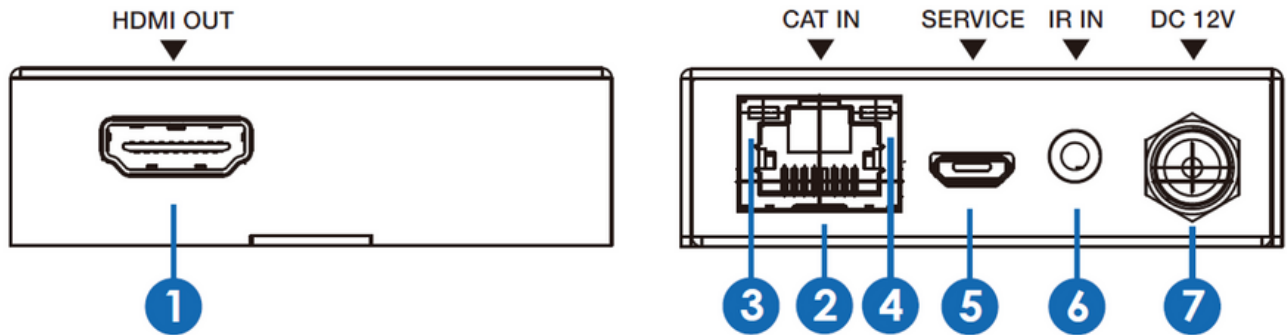
## 6 Operation Controls and Functions

### 6.1 Transmitter Panel



No	Name	Function Description
1	HDMI OUT	HDMI loop output port, connect to HDMI display device such as TV or Projector with an HDMI cable
2	HDMI IN	HDMI input port, connect to HDMI source device such as DVD or PS4 player with an HDMI cable
3	CAT OUT	Connect to CAT IN port on the receiving end with a CAT6 cable
4	Power Indicator Lamp (Green)	The LED will illuminate when the transmitter is powered on
5	Data signal Indicator Lamp (Orange)	The LED will illuminate when the transmitter and the receiver have signal transmission
6	Service port	Firmware update port
7	IR OUT	Connect to wideband IR Blaster cable. The IR signal is from the IR IN port of the receiver
8	12VDC	Plug 12VDC/1A power supply into the unit and connect the adapter to an AC outlet. ( <b>Note:</b> The extender supports PoC function, it means that either transmitter or receiver is powered on by the 12VDC/1A power adapter, the other doesn't need power supply)

## 6.2 Receiver Panel



No	Name	Function Description
1	HDMI OUT	HDMI output port, connect to HDMI display device such as TV or Projector with an HDMI cable
2	CAT IN	Connect to CAT OUT port on the transmitter end with a CAT6 cable
3	Power Indicator Lamp (Green)	The LED will illuminate when the receiver is powered on
4	Data signal Indicator Lamp (Orange)	The LED will illuminate when the transmitter and the receiver have signal transmission
5	Service port	Firmware update port
6	IR IN	Connect to wideband IR Receiver cable. The IR signal will send to the IR OUT port of the transmitter
7	12VDC	Plug 12VDC/1A power supply into the unit and connect the adapter to an AC outlet. ( <b>Note:</b> The extender supports PoC function, it means that either transmitter or receiver is powered on by the 12VDC/1A power adapter, the other doesn't need power supply)

## 6.3 IR Pin Definition

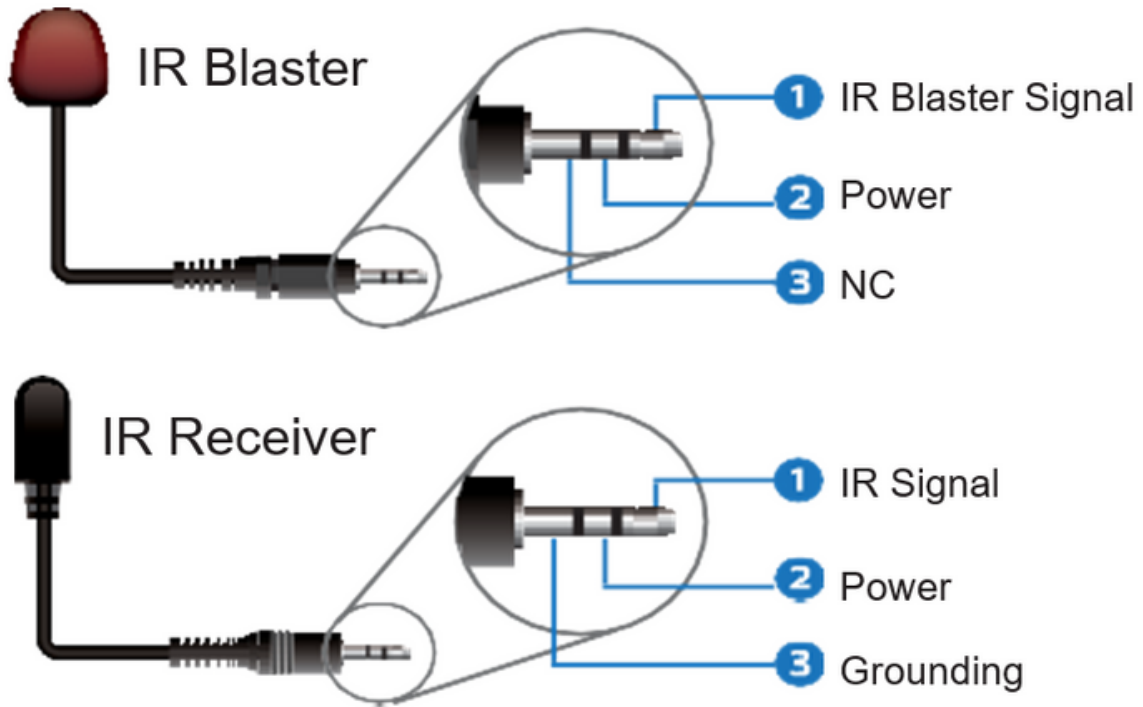
IR Receiver and Blaster pin's definition as below:



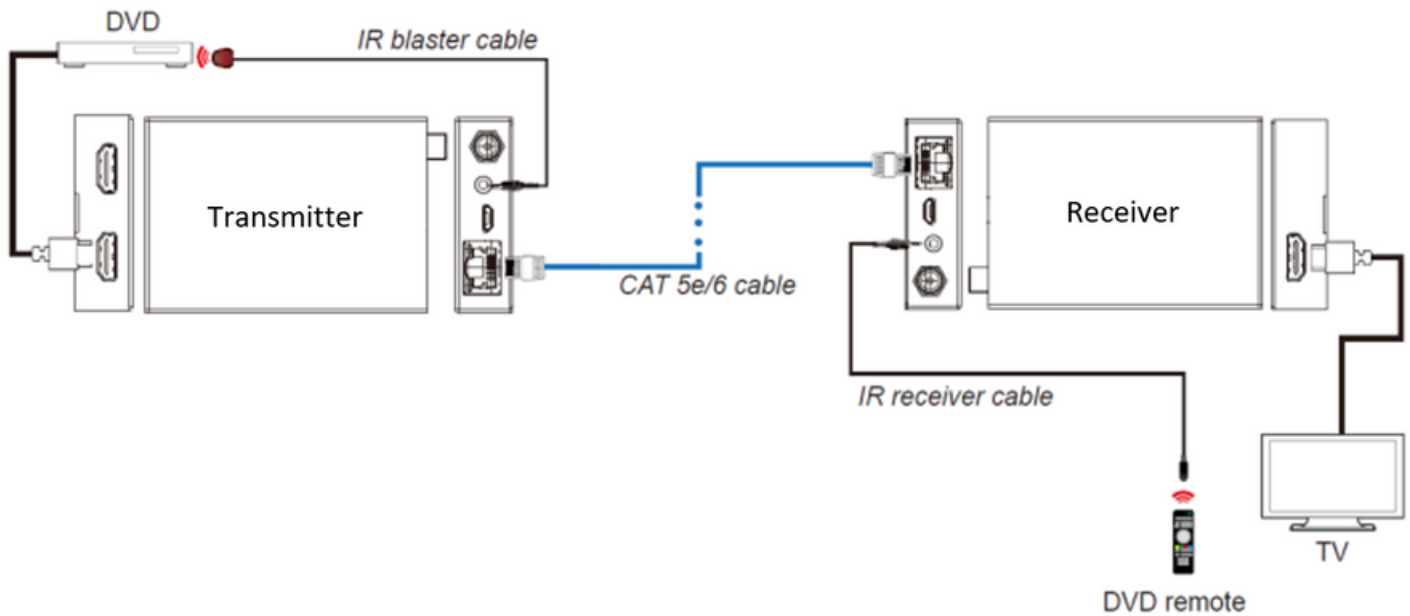
IR Receiver



IR Blaster



The following is a diagram about the use method of IR cable.





## 7 Application Example

