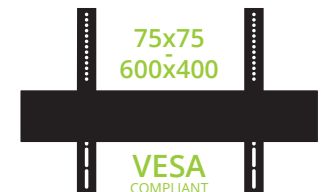
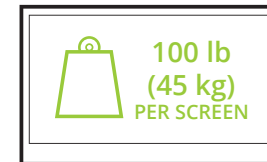
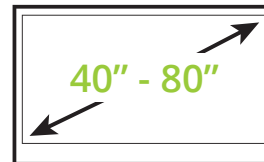


# CM600BTB

The CM600BTB Dual TV Ceiling Mount is the ideal solution for retail or commercial AV setups. This versatile mount features back-to-back TV plates, allowing you to mount two panels in opposite directions. The pivoting mounting plate offers flexibility to mount onto flat, angled, or vertical surfaces. With a telescoping extension pole providing 23" of height adjustment and 360° rotation, you can position your screens precisely where you need them. The adjustable leveling screws and four discrete tilt options, with up to 15° forward or 6° backward tilt, ensure perfect screen alignment. Additionally, the mount includes unobstructed cable management along the entire length of the pole, keeping your installation clean and organized.

## FEATURES & SPECIFICATIONS

- Fits most TVs from 40" to 80"
- Supports two TVs up to 100 lb (45 kg) per screen
- Accommodates VESA sizes from 75x75 to 600x400
- Swings 90° to accommodate sloped ceilings
- Tilt mechanism provides +15° to -6° of tilt
- 360° of swivel
- Height adjustable from 39.1" to 62.6" (99.2 to 159.2 cm) from ceiling to center of TV
- Adjustable horizontal levelling
- Integrated cable management
- Anodized aluminum and solid steel construction with durable powder coated finish
- Includes manual and all mounting hardware for wood stud and concrete installation
- Five year manufacturer's warranty
- Shipping box weight: 32.4 lb (14.7 kg)
- Shipping Box Dimensions: 43.3" x 9.7" x 6.5" (110 x 24.6 x 16.5 cm)
- Product Weight: 28.7 lb (13 kg)
- UPC: 800152722399



## TECHNICAL ILLUSTRATIONS



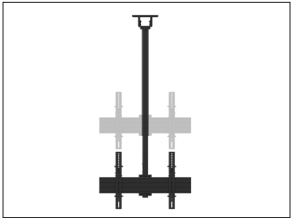
### BACK-TO-BACK SCREENS

The back-to-back TV plates allow mounting of two panels in opposite directions, increasing visibility and ensuring content reaches a wider audience.



### FLEXIBLE MOUNTING OPTIONS

The pivoting mounting plate secures the CM600BTB to a flat ceiling, angled ceiling or beam, or walls, expanding the possibilities for TV placement in any environment.



### ADJUSTABLE HEIGHT

The telescoping extension pole provides height adjustment between 39.1" and 62.6" from the ceiling to the center of the TV, ensuring perfect screen positioning.



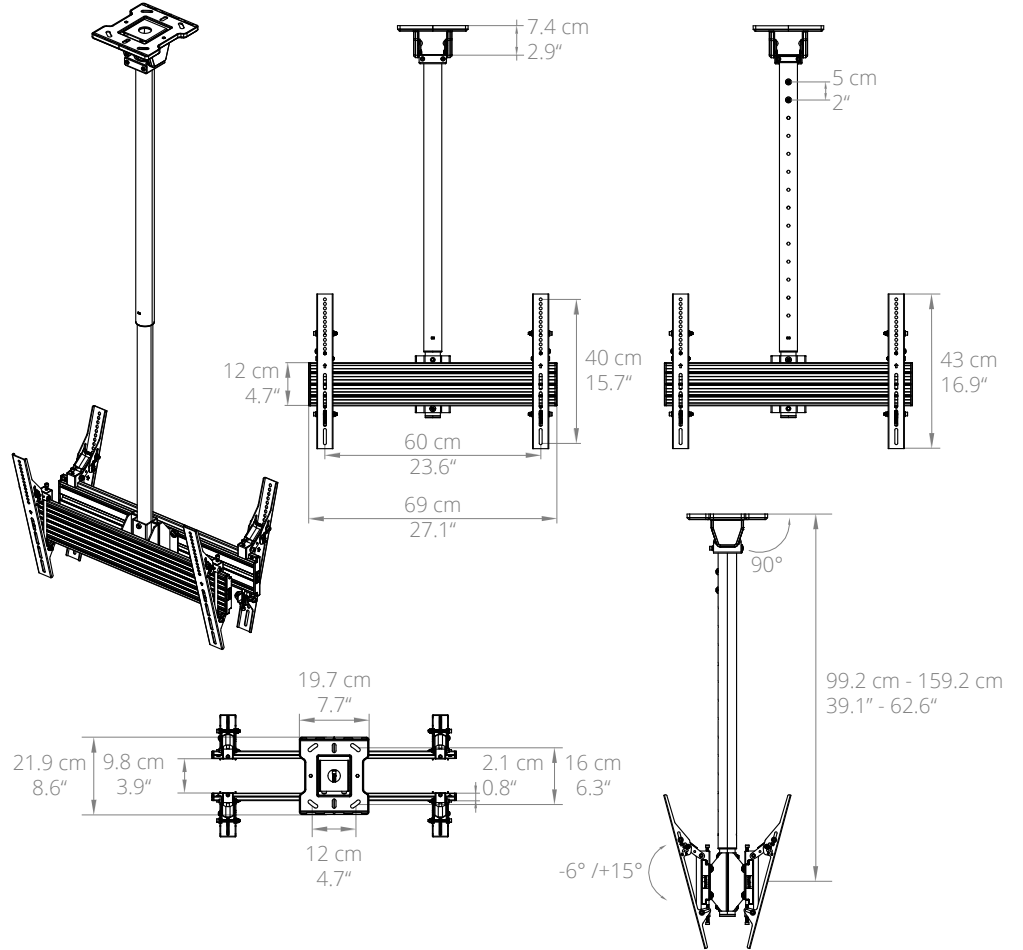
### PERFECT SIGHTLINES

With 360° swiveling and tilt options of 15° forward or 6° backward, the CM600BTB ensures content aligns perfectly with the audience's sightlines.



### CABLE MANAGEMENT

The hollow core of the extension pole provides an unobstructed path for cable routing, while an opening in the mounting plate allows cables to continue through to the mounting surface, keeping them hidden and organized.



kanto 

Supporting your digital lifestyle™

[kantomounts.com](http://kantomounts.com) | [sales@kantoliving.com](mailto:sales@kantoliving.com)