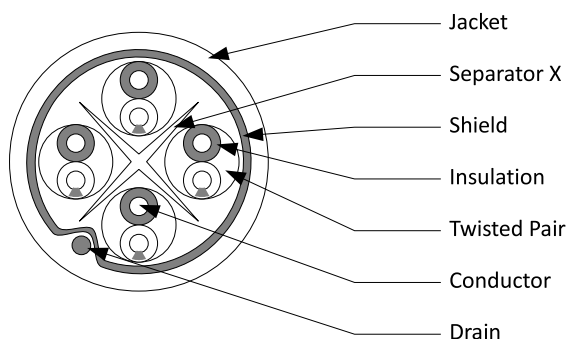


CAT6A 1000' BLUE STRANDED SHIELDED F/UTP NETWORK BULK CABLE

SKUS PW-6A6B

FEATURES

- Category 6A Shielded F/UTP Stranded Copper Data Communications Cable 1000' 23 AWG
- Use for voice, data, video distribution, and security applications
- Suitable for 10Gb High-Speed Data Applications up to 100 meters and high EMI/RFI environments with 500MHz standard bandwidth
- 4 twisted-pair 26 AWG stranded copper conductors
- Excellent attenuation and crosstalk characteristic
- UL and ETL listed, 3P Third Party tested to meets or exceeds EIA/TIA 568 C.2-1 standards
- RoHS compliant



COLOUR

INSULATION CORES: PAIRS	P1: Blue & White/Blue P2: Orange & White/Orange P3: Green & White/Green P4: Brown & White/Brown
JACKET	Blue

PERFORMANCE

ELECTRICAL CHARACTERISTICS (20°C)	
MAX. CONDUCTOR DC RESISTANCE (Ω/km)	#26:142
MIN. INSULATION RESISTANCE (Ω/m)	PE:100M
DIELECTRIC STRENGTH	AC-500V/1 Min
MECHANICAL CHARACTERISTICS	
BEFORE TENSILE STRENGTH (kgf/mm²)	≥1.05



DESCRIPTION

RATED TEMPERATURE	75°C
PRODUCT STANDARD CERTIFICATION	UL CM & CSA CMG
FLAME TEST	FT4
APPLICATION	Telephone and other communication circuits such as voice, data and audio for on-premise customer systems.
REFERENCE STANDARD	UL 444

CONSTRUCTION

CONDUCTOR	Stranded Bare Copper
4 TWISTED PAIR	8C
AWG	26
CONSTRUCTION (±0.005mm)	7/0.16
NOM. STRANDED DIAMETER (mm)	0.48
INSULATION	PE
NOM. THICKNESS (mm)	0.21
INSULATION DIA. (±0.05mm)	0.90
SHIELD	Aluminum/Polyester
COVERAGE(%)	≥125%
DRAIN WIRE (±0.008mm) (STRANDED TINNED COPPER)	7/0.16T
JACKET	PVC
NOM. THICKNESS (mm)	0.54
OUTER DIA. (±0.2mm)	6.0

© PC Cable World. All rights reserved.

PC Cable World product specifications are subject to change without notice, but are accurate at the time of printing. Please contact a sales representative for current specs. Please note that all physical specifications are nominal.

www.pccableworld.com