

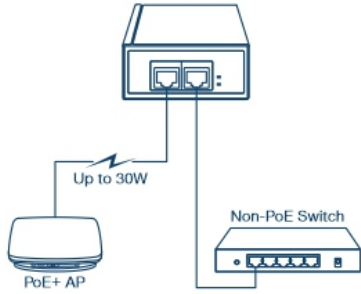


## 10G PoE++ Injector

TPE-319GI (v2.0R)

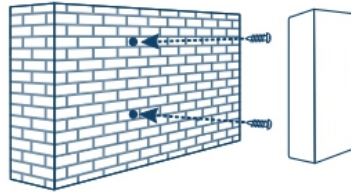
- Converts a non-PoE port to a PoE++ 10G port
- Supplies PoE (15.4W), PoE+ (30W), or PoE++ (90W)
- 10GBASE-T compliant
- Integrated power supply
- Network a PoE device up to 100m (328 ft.) over cat6a or better cabling
- Save on installation and equipment costs
- IEEE 802.3af, 802.3at, and 802.3bt compliant

TRENDnet's 10G PoE++ Injector, model TPE-319GI, combines electrical power with a 10GBASE-T network connection to produce a 10G PoE++ network signal. Auto-sensing technology conveniently delivers the correct wattage needed to power your PoE, PoE+ and PoE++ devices. Connect the 10G PoE++ injector to a non-PoE switch, and then run an Ethernet cable with data + power to network a PoE, PoE+ or PoE++ device up to 100 meters (328 ft.) over cat6a or better cabling. Network PoE devices such as wireless access points, IP cameras, VoIP phone systems, IPTV decoders, access controls, and more.



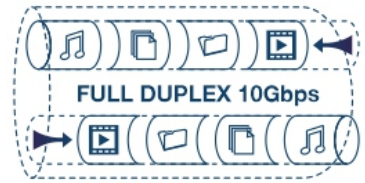
### PoE++

The 10G PoE++ injector supplies a PoE device with PoE (15.4W), PoE+ (30W), or PoE++ (90W) power.



### Installation Flexibility

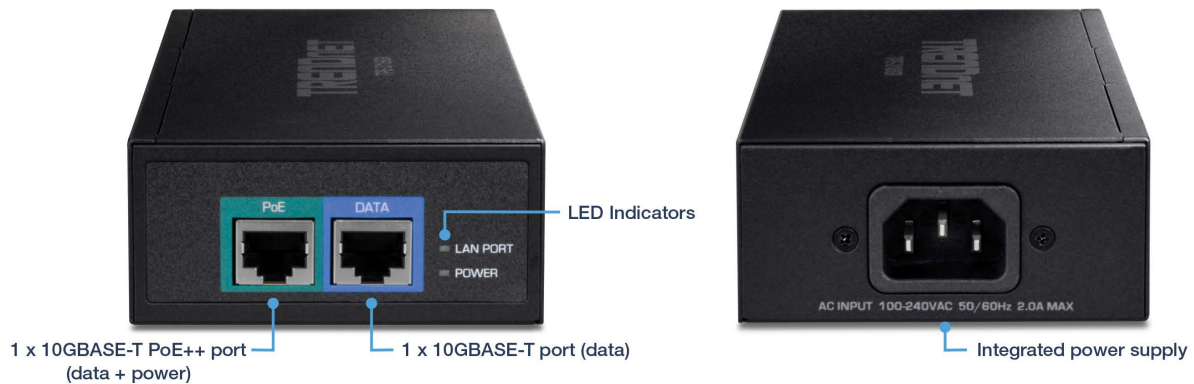
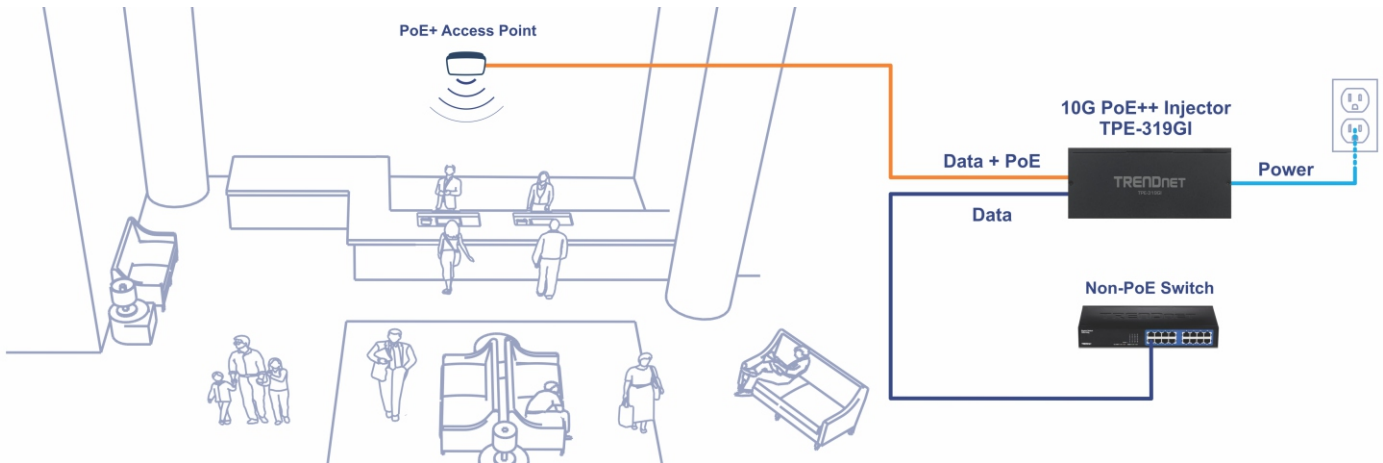
Wall-mount design and a sturdy metal enclosure accommodates most installations scenarios.



### 10G Speeds

Equipped with a 10GBASE-T RJ-45 port providing network speeds of up to 10Gbps over existing Cat6a or better cabling.

## NETWORKING SOLUTION



## FEATURES



### PoE++

10G PoE++ injector supplies a PoE device with PoE (15.4W), PoE+ (30W), or PoE++ (90W) power



### Easy Installation

Simply connect the 10G PoE++ injector to your switch and PoE device – no configuration needed



### Installation Flexibility

Wall-mount design and a sturdy metal housing accommodates most installations scenarios



### 10G Ports

1 x 10G port (data) and 1 x 10G PoE++ port (data + power)



### PoE Distance

Provides a PoE++ network connection up to 100m (328 ft.) over cat6a or better cabling



### LED Indicators

LED indicators on the 10G PoE++ injector confirm PoE and network connectivity



### Auto-Sensing Technology

Featuring auto-sensing technology, the 10G PoE++ injector conveniently delivers the correct wattage needed to power your PoE, PoE+, or PoE++ devices

## SPECIFICATIONS

### Standards

- IEEE 802.3
- IEEE 802.3u
- IEEE 802.3ab
- IEEE 802.3af
- IEEE 802.3an
- IEEE 802.3at
- IEEE 802.3bt
- IEEE 802.3bz

### Device Interface

- 1 x 10GBASE-T port (data)
- 1 x 10GBASE-T PoE++ port (data + power)

### Throughput & Distance

- Cat5e Cabling: 1Gbps @ 100m (328 ft.)
- Cat6 Cabling: 10Gbps @ 50m (164 ft.)\*
- Cat6a Cabling: 10Gbps @ 100m (328 ft.)\*

### PoE Budget

- Max. 90W

### Power Consumption

- Max. 0.7W (without PD)

### Temperature

- 0 – 40° C (32 – 104° F)

### Humidity

- Max. 90% non-condensing

### Certifications

- CE
- FCC
- ETL

### Dimensions

- 193 x 82 x 38mm (7.6 x 3.2 x 1.5 in.)

### Weight

- 672g (1.48 lbs.)

### Warranty

- 3 year

### Package Contents

- TPE-319GI
- Quick Installation Guide
- Power cord

\*Maximum distance of Cat6 and Cat6a cabling are references to IEEE 802.3an standard. Actual data throughput and distance will vary depending on the quality of the cable.

All references to speed are for comparison purposes only. Product specifications, size, and shape are subject to change without notice, and actual product appearance may differ from that depicted herein.