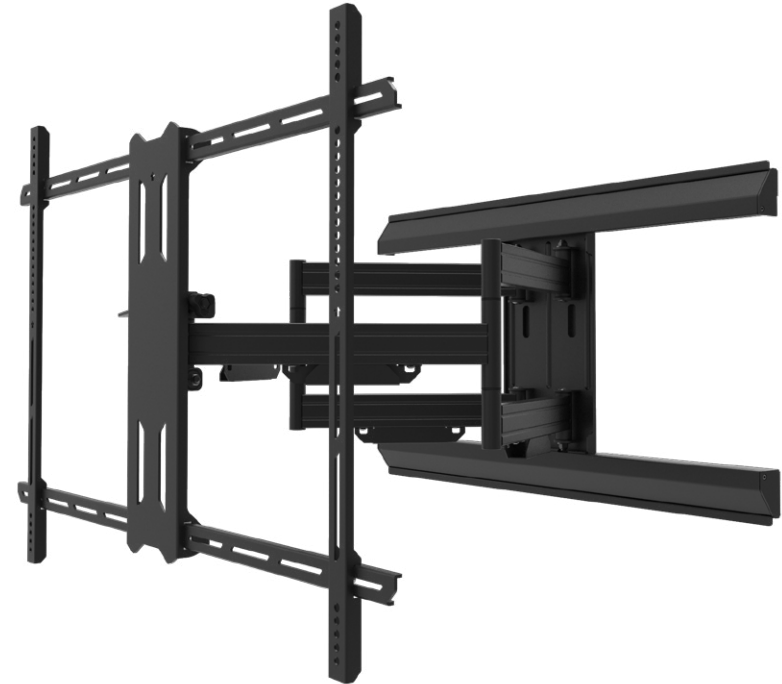


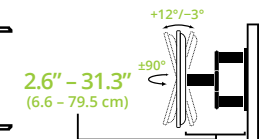
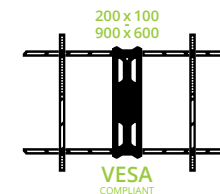
# PMX800

Don't let the size of your TV dictate where you put it. Capable of supporting panels up to 120", PMX800 adjustable wall mount can be horizontally offset 11" in either direction to dial in the lateral placement of your display. An oversized 900x600 VESA interface improves compatibility with extra-large touch screens and provides flexibility for vertical positioning. With 31.3" of extension, this full motion wall mount gives you all the swivel needed to get the perfect viewing angle. Its low-profile design allows your TV to sit 2.6" from the wall when fully retracted and features all-metal cable management and lag bolt covers to stand the test of time. Toolless tilt rounds off PMX800's extensive feature set allowing for on-the-fly adjustments.



## FEATURES & SPECIFICATIONS

- Fits most TVs from 55" to 120"
- Supports TVs up to 200 lb (91 kg)
- Accommodates VESA sizes from 200x100 to 900x600
- Accessible tilt mechanism provides +12° to -3° of tilt
- 90° of swivel in either direction, depending on screen size
- Sits 2.6" (6.6 cm) when fully retracted
- Extends up to 31.3" (79.5 cm) from the wall
- Up to ±11" (28 cm) of horizontal offset
- 32" (81.3 cm) dual stud wall plate accommodates up to 24" stud spacing
- Integrated cable management
- Aluminum covers conceal lag bolts after installation
- Solid steel construction with durable powder coated finish
- Includes manual and all mounting hardware for wood stud and concrete installation
- Ten year manufacturer's warranty
- Shipping box weight: 58.4 lb (26.5 kg)
- Shipping Box Dimensions: 41.6" x 21.3" x 4.9" (105.7 x 54.2 x 12.5 cm)
- Product Weight: 48.3 lb (21.9 kg)
- UPC: 800152721712

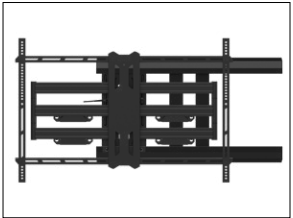


## TECHNICAL ILLUSTRATIONS



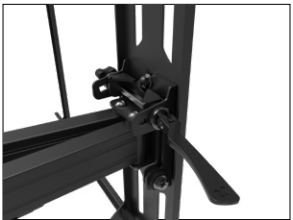
### EXTRA LARGE DISPLAYS

Whether you're designing the ultimate home theatre, or installing interactive touch panels, PMX800's 200 lb. weight capacity ensures compatibility with displays of any size.



### PERFECT PANEL PLACEMENT

Even if your studs are in a suboptimal position, you can still nail your TVs placement with 22 total inches of horizontal offset. Oversized TV brackets provide flexibility to achieve the perfect height.



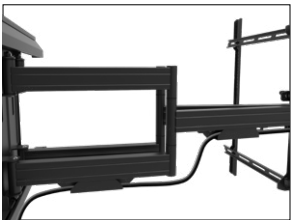
### FULLY ADJUSTABLE

A toolless cam lever tilt mechanism allows for on-the-fly adjustments, while 31.3" of extension allows for generous amounts of swivel with even very large TVs.



### LOW-PROFILE

Despite its impressive reach, PMX800 retracts to an impressive 2.6" giving thin TVs a flush look when pushed against the wall.



### DESIGNED TO LAST

PMX800's cable management system and lag bolt covers are made of metal to stand up to regular use and reduce potential service calls.

