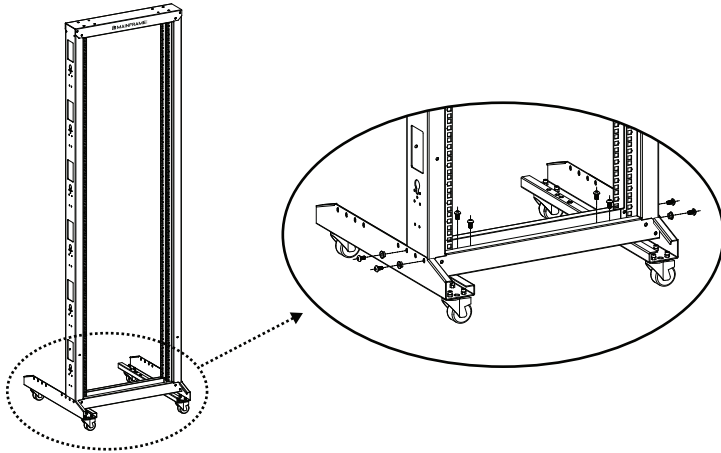


INSTALLATION

3

Assemble the frame and plinth by 8 sets M6-12 screws and M6 flange nuts.



After assembly, please adjust the diagonal size of the cabinet to ensure homogeneous space for all doors and all doors work well.

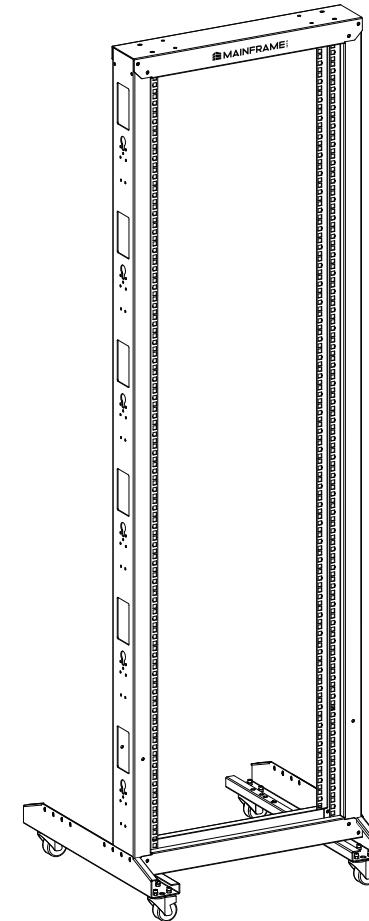
ACCESSORIES

Standard Rack Shelf	Vertical Cable Manager	Rack Mounting Hardware	Cable Management Solutions
SRS-1U-10	VCM-2-22U	RMH-1032-K	CMS-1-PC
SRS-1U-10V	VCM-2-32U	RMH-1032-C	CMS-1-MH
SRS-1U-15	VCM-2-42U	RMH-1032-S	CMS-1-MC
SRS-1U-15V		RMH-1224-K	CMS-1-PR
SRS-2U-10		RMH-M6-K	CMS-2-PC
SRS-2U-10V		RMH-1224-S	CMS-2-MH
SRS-2U-15			CMS-2-MC
SRS-2U-15V			CMS-2-PR
	Drawer with Lock		CMS-1-BRS
	DWL-1U		LB-0-D
	DWL-2U		LB-2-D
	DWL-3U		LB-4-D
	DWL-4U		LB-6-D
			CNT-1




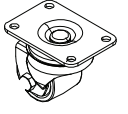

OFDR-2-22/32/42U

ASSEMBLY INSTRUCTION

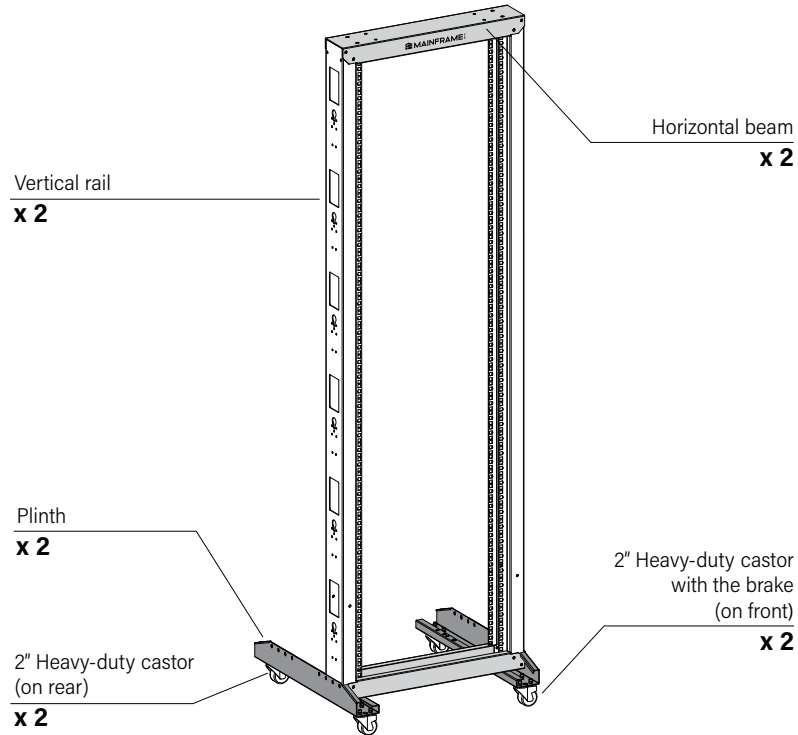
V.1.2



ITEM LIST

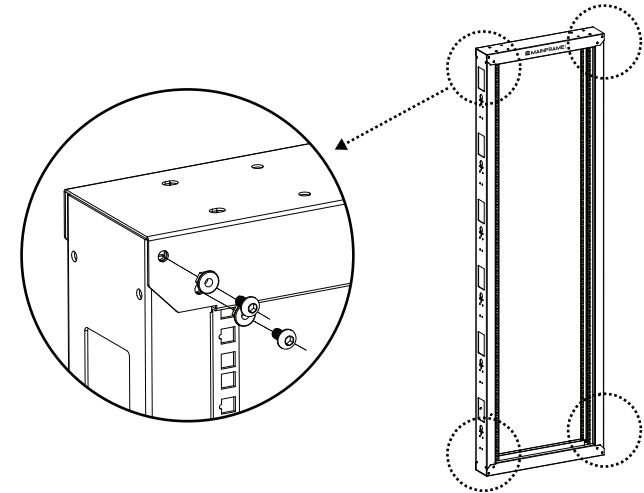
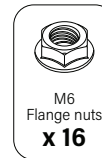
 M6-12 Screws x 40	 M6 Flange nuts x 40	 10-32 Screw and cage nut x 20 for 22U x 30 for 32U x 40 for 42U	 2" Heavy-duty castor x 2	 2" Heavy-duty castor with the brake x 2
--------------------------------------------------------------------------------------------------------------------	-----------------------------------------------------------------------------------------------------------------------	---------------------------------------------------------------------------------------------------------------------------------------------------------------------------------------	-------------------------------------------------------------------------------------------------------------------------	-------------------------------------------------------------------------------------------------------------------------------------------

Check the quantities of the items before assembly.



INSTALLATION

1 Assembly vertical rails and horizontal beams to form the frame with 16 sets M6*12 screws and M6 flange nuts.



2 Assembly the castors on the Plinths by 16 sets M6*12 screws and M6 flange nuts.

