

# RJ45 CAT6 PCB TYPE SURFACE-MOUNT BOX (TOOL-LESS)

**SKUS** C6-069W

## FEATURES

- 1-Port White Surface Mount Box with pre-loaded Tool-Less RJ45 Cat6 Keystone Jack for mounting wire termination completed on the external side of a wall
- Save time and money with pre-loaded, non interchangeable black Cat6 keystone jack with colour coded T568A and T568B wiring patterns
- For use with 22-26 AWG Cat6 cable
- Use with 110 punch-down tool or IDC cap for tool-less terminations
- Easy open and close snap cover for accessing keystone jack
- Includes a variety of mounting options for easy installation: screws for wall-mounting or padded dual sided tape for mounting on hard surfaces



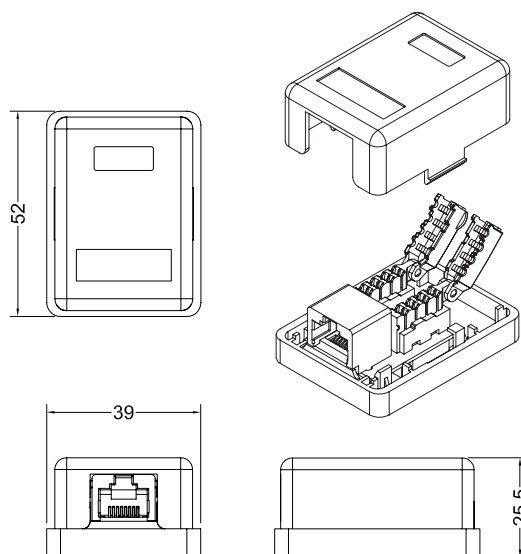
## AVAILABLE COLOURS



**SIZE (WxDxH)** 39 x 52 x 25.5 mm

## MATERIALS

<b>BODY</b>	Fireproof ABS UL-94V0
<b>JACK</b>	8P8C 50 Micro-inches gold plated
<b>PCB</b>	FR-4 / UL-94V0
<b>IDC CAP</b>	Fireproof PC + Glass Fiber UL-94V2
<b>IDC BODY</b>	Fireproof ABS UL-94V0
<b>IDC PIN</b>	Phosphor Bronze & Tinned
<b>IDC DESCRIPTION</b>	For 22-26 AWG For 110 punch-down Tool Tool-less (when use IDC cap directly)



## SPECIFICATIONS

<b>UL APPROVED   3P THIRD PARTY TESTED   ROHS COMPLIANT</b>	<b>INSULATION RESISTANCE</b>	500M ohms (min.)	
<b>MEETS C6 EIA/TIA 568B STANDARD   CETLUS CERTIFIED</b>	<b>CONTACT RESISTANCE</b>	20m ohms (max.)	
<b>IDC PUNCH DOWN CYCLE</b>	Over 250 Cycles (min.)	<b>CURRENT RATING</b>	1.5 Amps
<b>JACK INSERTION CYCLE</b>	Over 2000 Cycles (min.)	<b>DC RESISTANCE</b>	0.1 ohms (max.)
<b>OPERATION TEMPERATURE</b>	-40 — +70 Degrees Celsius	<b>WITHSTANDING VOLTAGE</b>	1000 VAC RMS @ 60Hz/1min
<b>TOLERANCE</b>	X ± 1   .X ± 0.2   .XX ± 0.15		

© PC Cable World. All rights reserved.

PC Cable World product specifications are subject to change without notice, but are accurate at the time of printing. Please contact a sales representative for current specs. Please note that all physical specifications are nominal.

[www.pccableworld.com](http://www.pccableworld.com)