

# UNIVERSAL RJ45 LOCK PLUG (PORT BLOCKER) BLACK (10/BAG)

**SKUS** SJ-LPBK

## FEATURES

- RJ45 locking insert to prevent unwanted cable connections
- Universal design compatible with most panels, wall plates, and switches with RJ45 connectors
- The compact shape allows adjacent ports to maximize their connections without obstruction
- Requires a security key (sold separately) for unlocking, ensuring protection



## MATERIALS

<b>LOCK</b>	Fireproof Nylon-66
<b>PLUG</b>	PC, UL94V-2
<b>PLUG CONTACT</b>	Phosphor Bronze

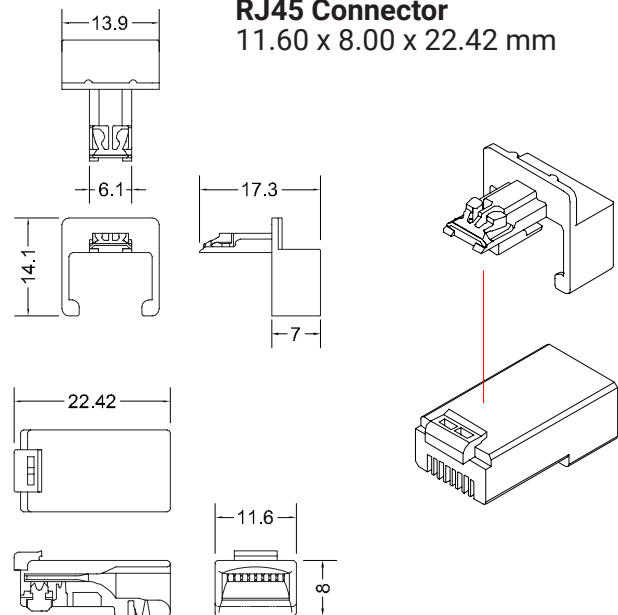
## SPECIFICATIONS

<b>ROHS COMPLIANT</b>	
<b>INSERTION LIFETIME</b>	Over 1000 Times (min.)
<b>OPERATION TEMPERATURE</b>	-20 – +70 Degrees Celsius

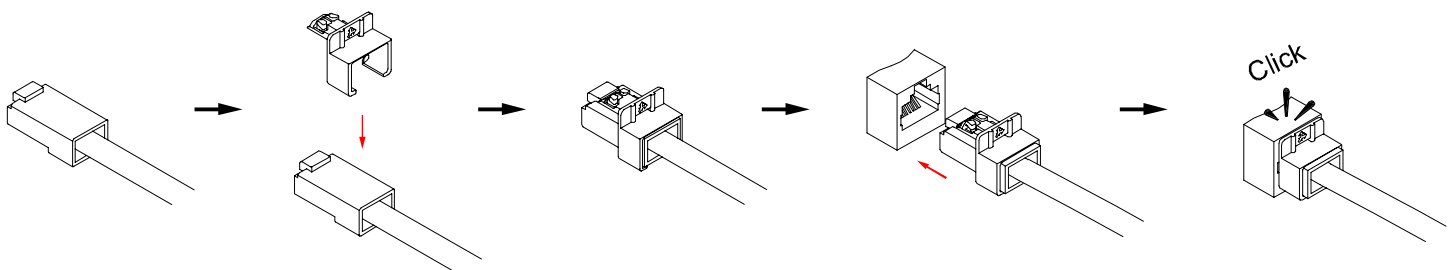
### SIZE (WxDxH)

**Lock Plug**  
13.90 x 14.10 x 17.30 mm

**RJ45 Connector**  
11.60 x 8.00 x 22.42 mm



## INSTRUCTIONS FOR LOCKING



© PC Cable World. All rights reserved.

PC Cable World product specifications are subject to change without notice, but are accurate at the time of printing. Please contact a sales representative for current specs. Please note that all physical specifications are nominal.

[www.pccableworld.com](http://www.pccableworld.com)