

RJ45 CAT6 SHIELDED SOLID/STRANDED CONNECTOR

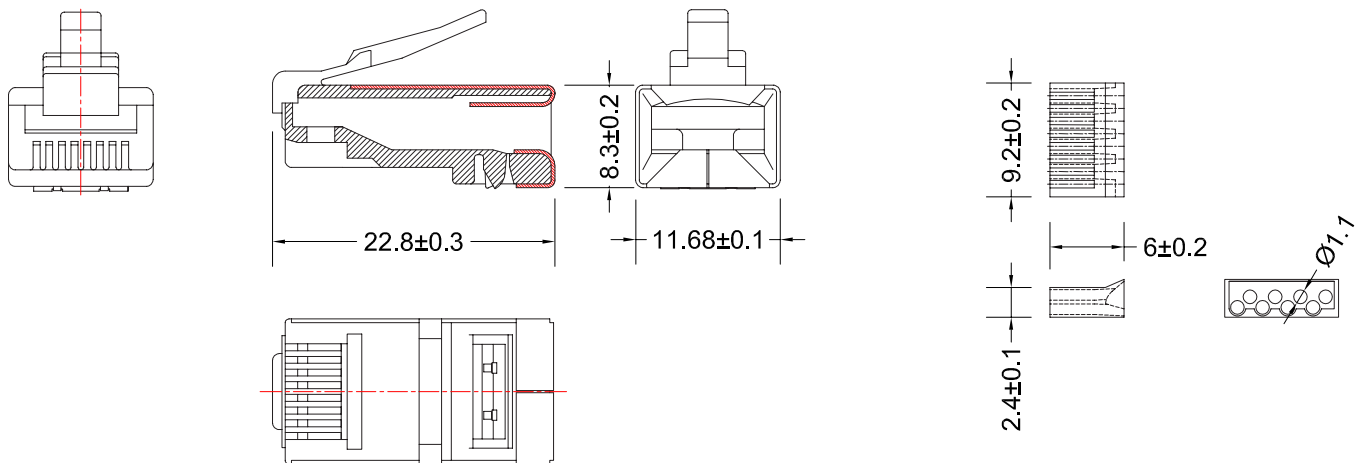
SKUS C6-453T

FEATURES

- Category 6 Shielded RJ45 Connector Plug
8P8C 11.68 x 22.80 x 8.30 mm
- Detachable offset load bar to help align wires before crimping
- Staggered crimp type when using the load bar, or straight across crimp type without
- Non-pass through design
- Requires compatible RJ45 crimping tool
- Three-pronged gold contact pin compatible with stranded or solid core copper cabling
- Brass with nickel-plated shielding provides protection from Electromagnetic Interference and Radio Frequency Interference (EMI/RFI)
- 50 micro-inch gold-plated contacts for superior transmission, high reliability, and durability
- Compatible with pre-insert boots to protect the connector's latching tab (boots not included)



SIZE (WxDxH) 11.68 x 22.80 x 8.30 mm



SPECIFICATIONS

UL APPROVED | 3P THIRD PARTY TESTED | ROHS COMPLIANT

TOLERANCE X ± 1 | .X ± 0.2 | .XX ± 0.15

MATERIALS

HOUSING Polycarbonate UL-94V0

SHIELD Brass with nickel plating

GOLD PLATING 50 Micro-inches Gold Plated

© PC Cable World. All rights reserved.

PC Cable World product specifications are subject to change without notice, but are accurate at the time of printing. Please contact a sales representative for current specs. Please note that all physical specifications are nominal.

www.pccableworld.com