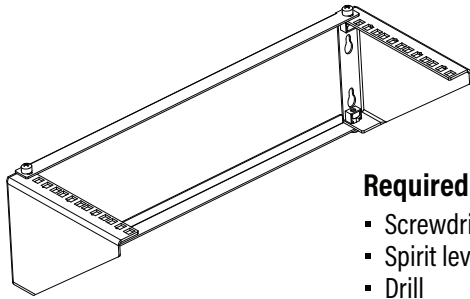



ASSEMBLY PACKING LIST






Required Tools

- Screwdriver
- Spirit level
- Drill



M6
Expansion
Bolt
4 pcs

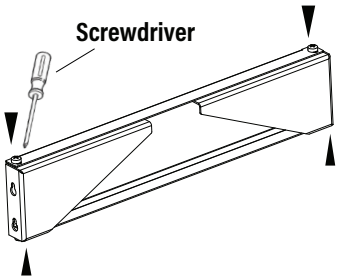




Plastic
Washer M6*12
Screw M6
Cage Nut

8 sets / 12 sets
(2/3/4U) (6U)

INSTALLATION

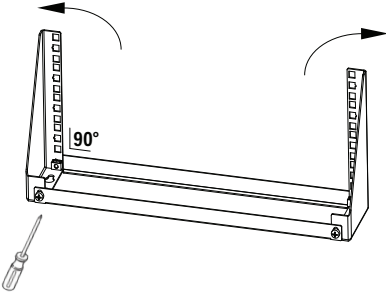
1



Screwdriver

Use a screwdriver to loosen the surrounding screws.

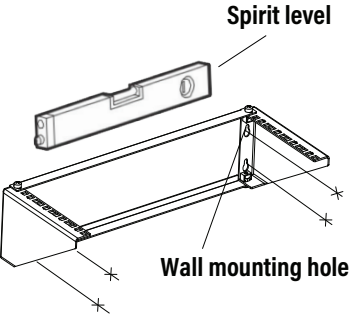
2



90°

Lay the rack flat on a horizontal surface, turn the rail 90 degrees, and then tighten the screw.

3

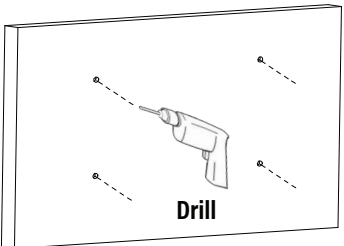


Spirit level

Wall mounting hole

Position the rack against the wall for mounting.

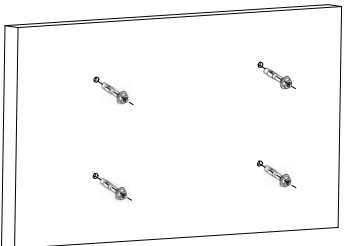
4



Drill

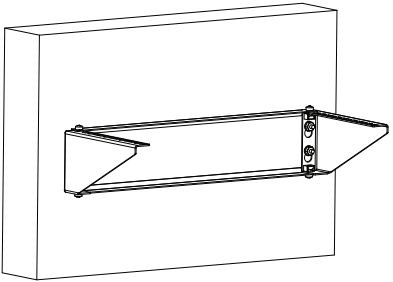
Mark the position, then drill holes into the wall.

5



Insert the expansion bolts into the drilled holes.

6



Secure the rack to the wall using the expansion bolts.