

# CAT5E SINGLE UTP NETWORK PATCH CABLE 24AWG

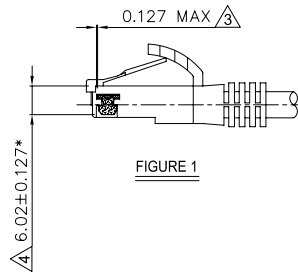
SKUS	PG-005	(0.5')	PG-10	(10')
	PG-001	(1')	PG-15	(15')
	PG-01	(1.5')	PG-25	(25')
	PG-3	(3')	PG-50	(50')
	PG-5	(5')	PG-75	(75')
	PG-6	(6')	PG-100	(100')



## FEATURES

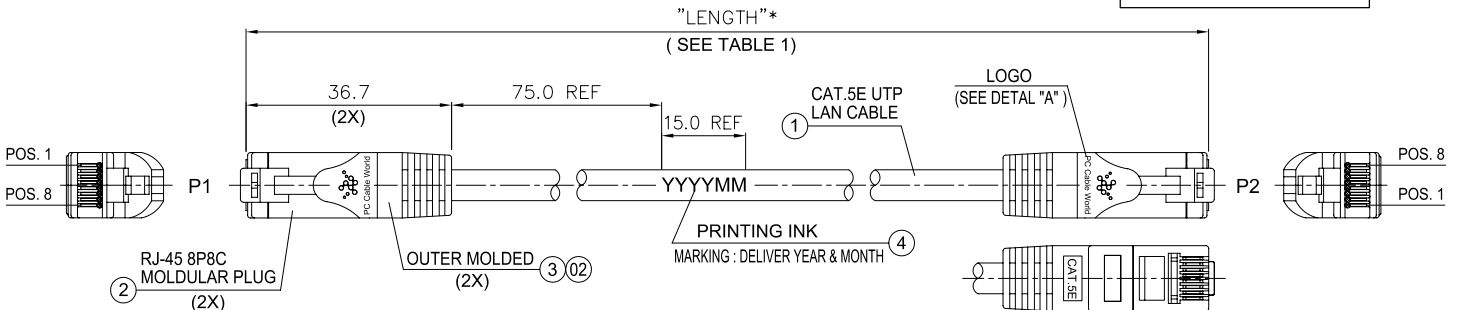
- Category 5E 4-Pair UTP Stranded Copper Network Cable 24 AWG
- Use for voice, data, video distribution, and security applications
- Molded, snag-less boot prevents unwanted cable snags during installation and provides extra strain relief
- Ethernet 1000 BASE-T; 100 BASE-TX; 10 BASE-T (IEEE 802.3)
- Meets and/or Exceeds EIA/TIA 568 C.2-1
- Enhanced 350MHz bandwidth for intensive applications
- 50 micron gold-plated copper alloy contact, RJ45 8P8C modular plug
- UL CM & CSA CMG Certification
- FT4 rating for in-wall use

## AVAILABLE COLOURS



WIRE CONNECTION TABLE (T568B):

P1		P2
1	WHITE ORANGE	1
2	ORANGE	2
3	WHITE GREEN	3
6	GREEN	6
5	WHITE BLUE	5
4	BLUE	4
7	WHITE BROWN	7
8	BROWN	8



## MATERIALS

<b>CABLE (1)</b>	Cat5e UTP LAN CABLE #24(7/0.20)*4P <b>Jacket:</b> PVC, OD=ø5.5 ±0.2
<b>PLUG (2)</b>	RJ-45 8P8C Modular Plug <b>Contact:</b> Copper alloy 50 Micro-inches, Gold plated <b>Insulator:</b> Polycarbonate, UL94V-2
<b>OUTER MOLDED (3)</b>	PVC, 75±5P
<b>PRINTING INK (4)</b>	<b>Colour:</b> White or Black

## SPECIFICATIONS

MEETS C5E EIA/TIA 568 C.2-1   ROHS COMPLIANT			
INSULATION RESISTANCE: DC 300V, 10MΩ, 10MS Min.			
SKUS	LENGTH	SKUS	LENGTH
PG-005	0.5' (152mm±20mm)	PG-10	10' (3048mm±50mm)
PG-001	1' (305mm±20mm)	PG-15	15' (4572mm±50mm)
PG-01	1.5' (457mm±20mm)	PG-25	25' (7620mm±101mm)
PG-3	3' (914mm±20mm)	PG-50	50' (15240mm±152mm)
PG-5	5' (1524mm±30mm)	PG-75	75' (22860mm±203mm)
PG-6	6' (1829mm±30mm)	PG-100	100' (30480mm±254mm)

© PC Cable World. All rights reserved.

PC Cable World product specifications are subject to change without notice, but are accurate at the time of printing. Please contact a sales representative for current specs. Please note that all physical specifications are nominal.