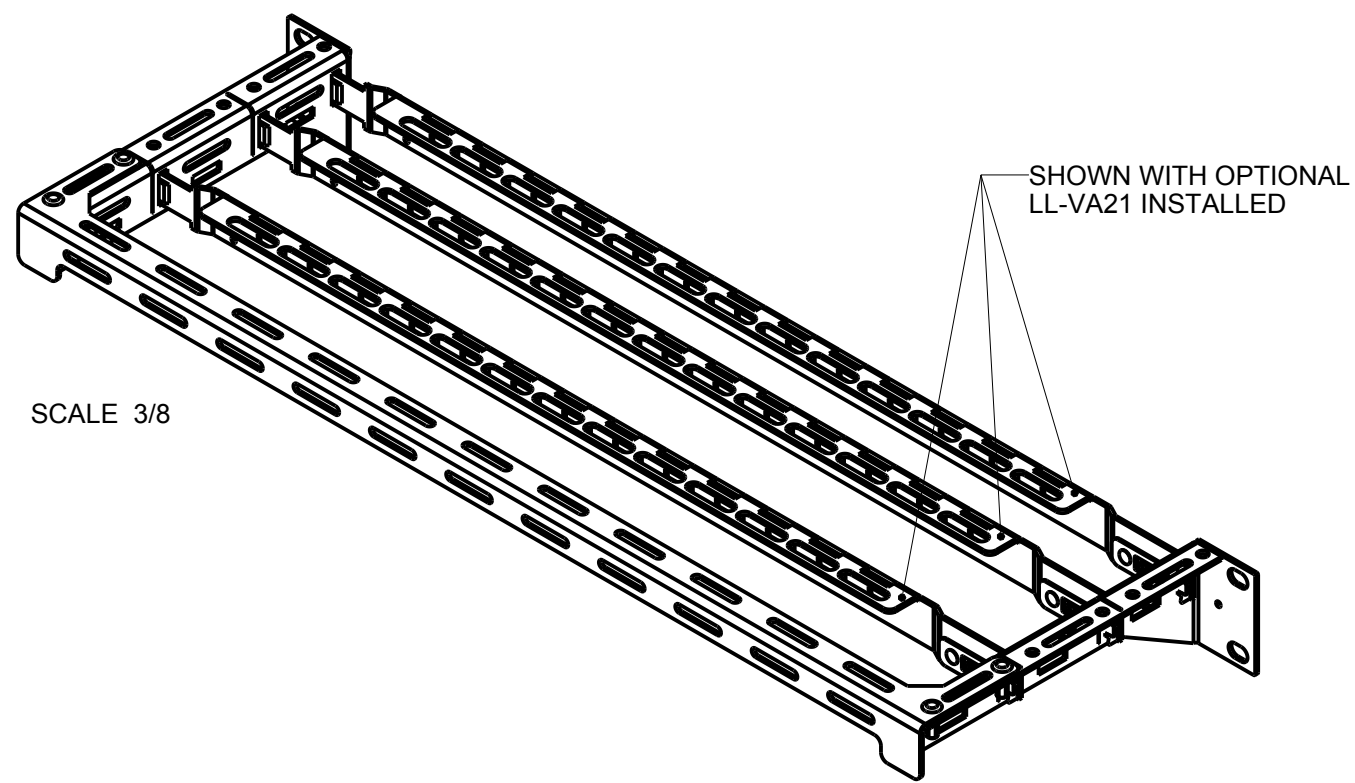


1 2 3 4 5 6 7 8

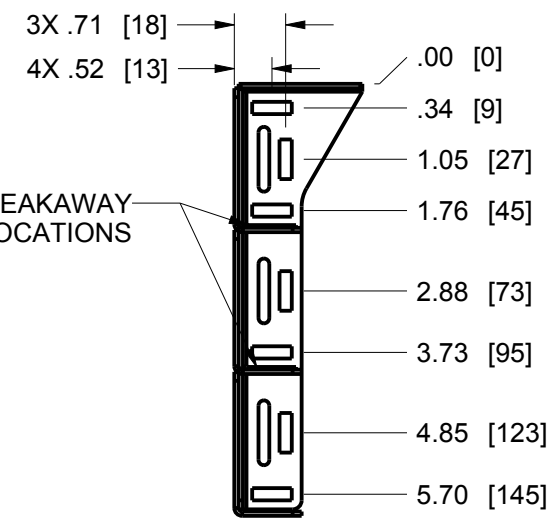
REV	DESCRIPTION	REV BY	REV DATE	APP'D BY	DATE APP.
A	PRODUCTION RELEASE	///	////	MC	05/14/19



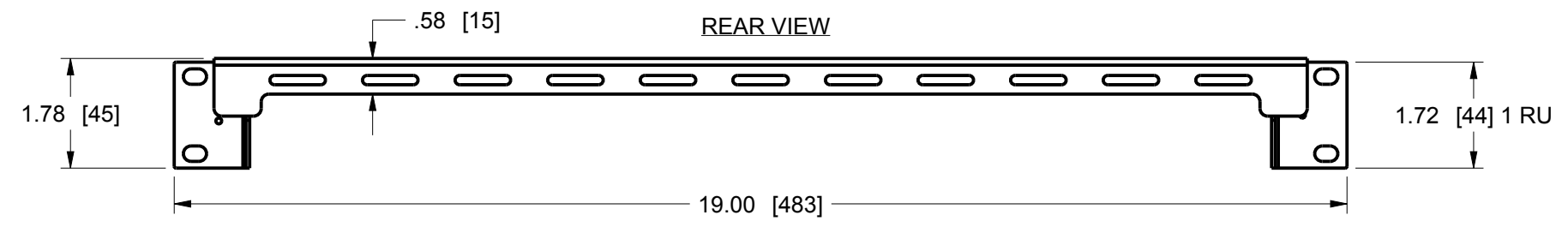
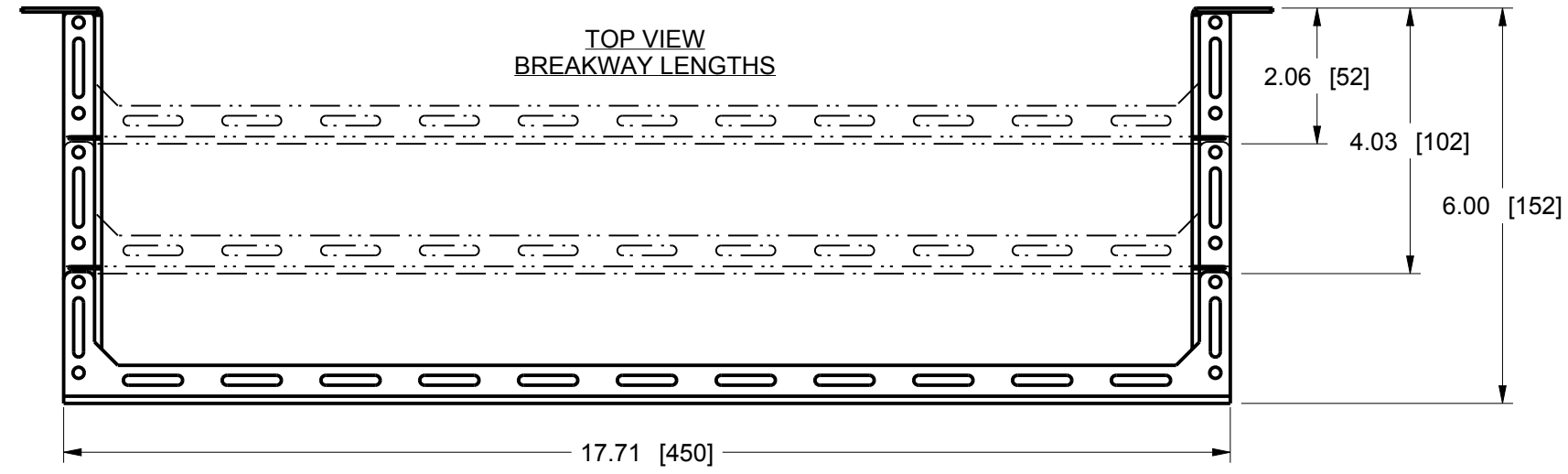
SCALE 3/8

- NOTE(S):
1. DIMENSION FORMAT: IN [MM]
 2. LBP-ADJ-A-2PK CONSISTS OF PARTS TO CREATE (2) ADJUSTABLE LACING BARS.
 3. LACING BAR EARS HAVE BREAKWAY LOCATIONS WHERE EARS CAN BE SNAPPED OFF CREATING DIFFERENT DEPTH LACING BARS.
 3. COMPATIBLE WITH 17" WIDTH LEVERLOCK. LL-VA21 SHOWN FOR REFERENCE.

SIDE VIEW
LEVER LOCK LOCATIONS



LACING BAR BREAKAWAY LOCATIONS



PROJECTION: 1" ANGLE 	UNLESS OTHERWISE SPECIFIED, ALL DIMENSIONS ARE IN INCHES GENERAL TOLERANCES: DEC: 1 PLACE +/-0.1 ANGLE: +/-1° 2 PLACE +/-0.03 FRAC: +/-1/32 3 PLACE +/-0.010 HOLE SIZE: +/-0.002		APPROVALS MODELED AP 05/10/19 DRAWN AP 05/10/19	DATE 05/10/19		TITLE LBP-ADJ-A-2PK
	SCALE = 3/8 SHEET 1 OF 1	DWG NO. 120-00010	DWG REV A			

THIS DRAWING CONTAINS TRADE INFORMATION DEEMED TO BE CONFIDENTIAL AND PROPRIETARY PROPERTY OF MIDDLE ATLANTIC PRODUCTS, INC. AND IS TO BE USED ONLY FOR THE PURPOSES FOR WHICH IT IS SUBMITTED AND FURTHER SHALL NOT BE COPIED IN WHOLE OR PART WITHOUT WRITTEN PERMISSION FIRST OBTAINED FROM MIDDLE ATLANTIC PRODUCTS, INC.