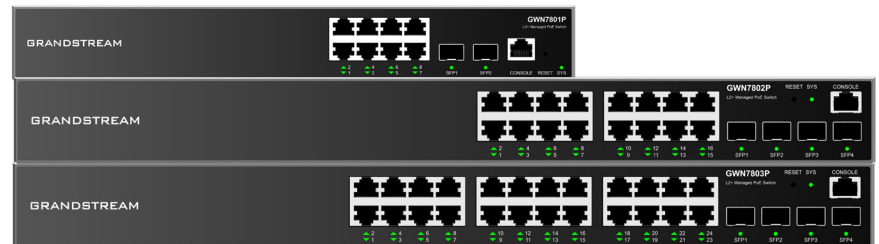
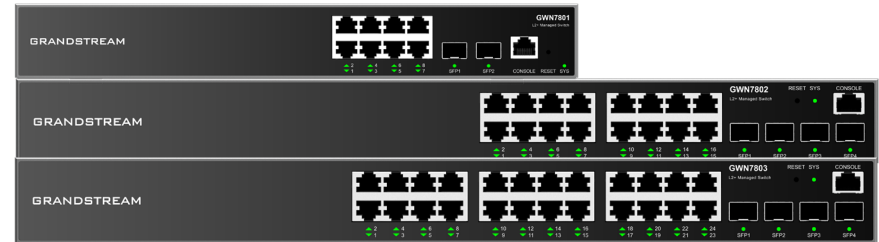


Grandstream Networks, Inc.

126 Brookline Ave, 3rd Floor
Boston, MA 02215. USA
Tel : +1 (617) 566 - 9300
Fax: +1 (617) 249 - 1987

www.grandstream.com



GWN7800 Series

Enterprise Layer 2+
Managed Network Switch

Quick Installation Guide



For Certification, Warranty and RMA information, please visit
www.grandstream.com

Content

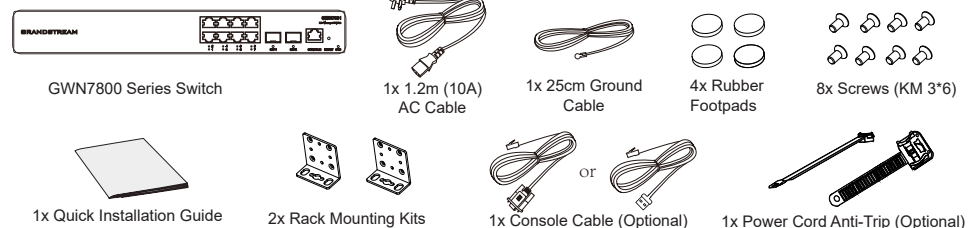
English.....	1
Chinese.....	7
Español.....	13
Français.....	19
Deutsch.....	24
Italiano.....	30
Polski.....	37
Português.....	43
Русский.....	49

The GWN7800 series are Layer 2+ managed network switches that allow small-to-medium enterprises to build scalable, secure, high performance, and smart business networks that are fully manageable. It supports advanced VLAN for flexible and sophisticated traffic segmentation, advanced QoS for automated detection & prioritization of latency sensitive voice/video traffic, IGMP Snooping for network performance optimization, and comprehensive security capabilities against potential attacks. The PoE models provide smart dynamic PoE output to power IP phones, IP cameras, Wi-Fi access points and other PoE endpoints. The GWN7800 series can be managed in a number of ways, including the local network controller embedded in the GWN7800 series switch, any GWN7000 series router with integrated local master, Grandstream's free on-premise network management software (GWN Manager), as well as Grandstream's cloud network management platform (GWN.Cloud). The GWN7800 series are best value enterprise-grade managed network switches for small-to-medium businesses.

PRECAUTIONS

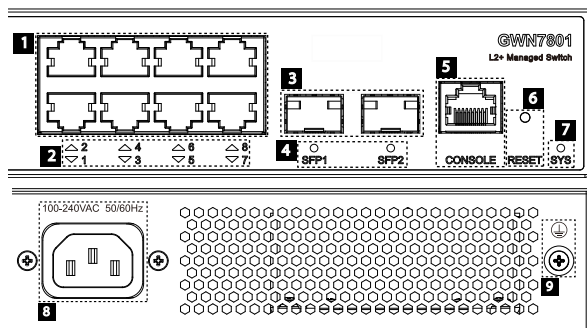
- Do not attempt to open, disassemble, or modify the device.
- Do not expose this device to temperature outside range of 0 °C to 45 °C for operation and -10 °C to 60 °C for storage.
- Do not expose the GWN7800 to environments outside of the following humidity range: 10-90% RH (non-condensing) for operation and 5-95% RH (non-condensing) for storage.
- Do not power cycle your GWN7800 during system boot up or firmware upgrade. You may corrupt firmware images and cause the unit to malfunction.

PACKAGE CONTENTS



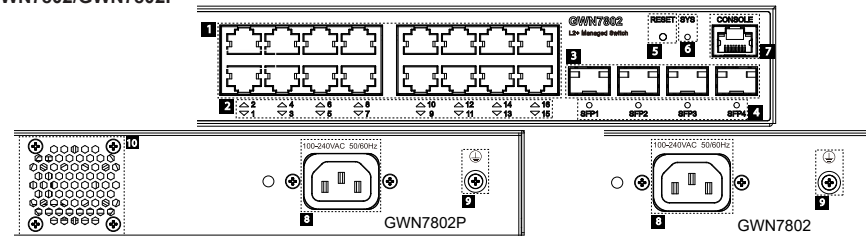
PORTS & LED Indicator

GWN7801/GWN7801P



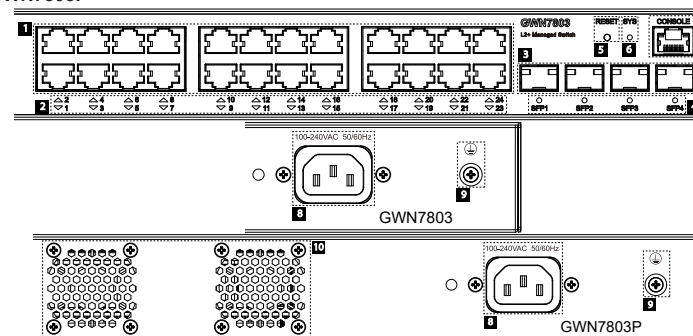
No.	Port & LED	Description
1	Port 1-8	8x Ethernet RJ45 (10/100/1000Mbps), used for connecting terminals. Note: GWN7801P Ethernet ports support PoE and PoE+.
2	1-8	Ethernet ports' LED indicators
3	Port SFP1/2	2x 1000Mbps SFP ports
4	SFP 1/2	SFP ports' LED indicators
5	CONSOLE	1x Console port, used for connecting managing PC
6	RESET	Factory Reset pinhole. Press for 5 seconds to reset factory default settings
7	SYS	System LED indicator
8	100-240VAC 50-60Hz	Power socket
9	⏚	Lightning protection grounding post

GWN7802/GWN7802P



No.	Port & LED	Description
1	Port 1-16	16x Ethernet RJ45 (10/100/1000Mbps), used for connecting terminals. Note: GWN7802P Ethernet ports support PoE and PoE+.
2	1-16	Ethernet ports' LED indicators
3	Port SFP1/2/3/4	4x 1000Mbps SFP ports
4	SFP 1/2/3/4	SFP ports' LED indicators
5	RESET	Factory Reset pinhole. Press for 5 seconds to reset factory default settings
6	SYS	System LED indicator
7	CONSOLE	1x Console port, used for connecting managing PC
8	100-240VAC 50-60Hz	Power socket
9	⏚	Lightning protection grounding post
10	Fan	1x Fan

GWN7803/GWN7803P



No.	Port & LED	Description
1	Port 1-24	24x Ethernet RJ45 (10/100/1000Mbps), used for connecting terminals. Note: GWN7803P Ethernet ports support PoE and PoE+.
2	1-24	Ethernet ports' LED indicators
3	Port SFP1/2/3/4	4x 1000Mbps SFP ports
4	SFP 1/2/3/4	SFP ports' LED indicators
5	RESET	Factory Reset pinhole. Press for 5 seconds to reset factory default settings
6	SYS	System LED indicator
7	CONSOLE	1x Console port, used for connecting managing PC
8	100-240VAC 50-60Hz	Power socket
9	⏚	Lightning protection grounding post
10	Fan	2x Fans

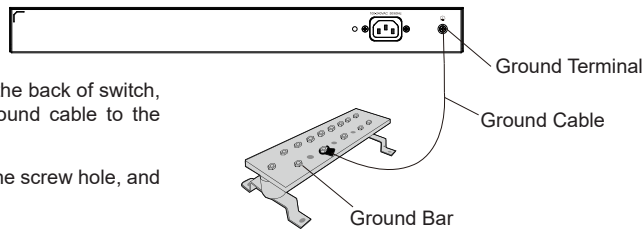
LED Indicator

LED Indicator	Status	Description
System Indicator	Off	Power off
	Solid green	Booting
	Flashing green	Upgrade
	Solid blue	Normal use
	Flashing blue	Provisioning
	Solid red	Upgrade failed
	Flashing red	Factory reset
Port Indicator	Off	For all ports, port off & For SFP ports, port failure
	Solid green	Port connected and there is no activity
	Flashing green	Port connected and data is transferring
	Solid yellow	Ethernet port connected and PoE powered
	Flashing yellow	Ethernet port connected, data is transferring and PoE powered
	Alternately flashing yellow and green	Ethernet port failure

POWERING & CONNECTING

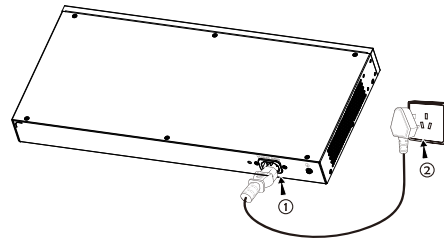
Grounding the Switch

1. Remove the ground screw from the back of switch, and connect one end of the ground cable to the wiring terminal of switch.
2. Put the ground screw back into the screw hole, and tighten it with a screwdriver.
3. Connect the other end of the ground cable to other device that has been grounded or directly to the terminal of the ground bar in the equipment room.



Powering on the Switch

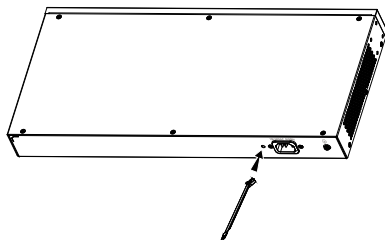
Connect the power cable and the switch first, then connect the power cable to the power supply system of the equipment room.



Connecting Power Cord Anti-Trip (Optional)

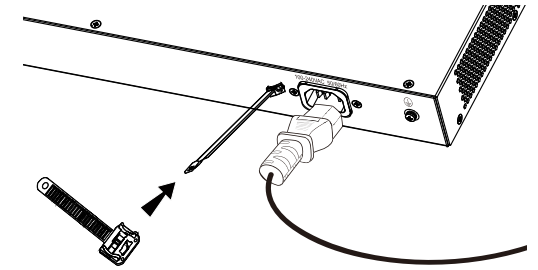
In order to protect the power supply from accidental disconnection, it's recommended to purchase a power cord anti-trip for installation.

1. Place the smooth side of the fixing strap towards the power outlet and insert it into the hole on the side of it.



2. After plugging the power cord into the power outlet, slide the protector over the remaining strap until it slides over the end of the power cord.

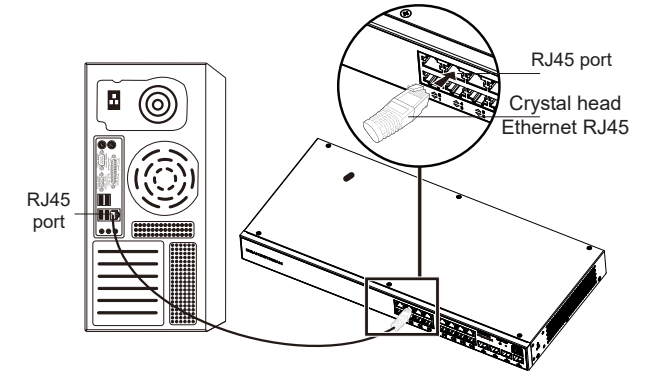
3. Wrap the strap of the protective cord around the power cord and lock it tightly. Fasten the straps until the power cord is securely fastened.



PORT CONNECTING

Connect to RJ45 Port

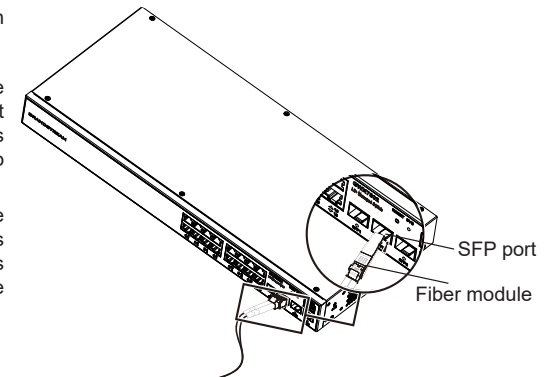
1. Connect one end of the network cable to the switch, and the other end to the peer device.
2. After powered on, check the status of the port indicator. If on, it means that the link is connected normally; if off, it means the link is disconnected, please check the cable and the peer device whether is enabled.



Connect to SFP Port

The installation process of the fiber module is as follows:

1. Grasp the fiber module from the side and insert it smoothly along the switch SFP port slot until the module is in close contact with the switch.
2. When connecting, pay attention to confirm the Rx and Tx ports of SFP fiber module. Insert one end of the fiber into the Rx and Tx ports correspondingly, and connect the other end to another device.
3. After powered on, check the status of the port indicator. If on, it means that the link is connected normally; if off, it means the link is disconnected, please check the cable and the peer device whether is enabled.

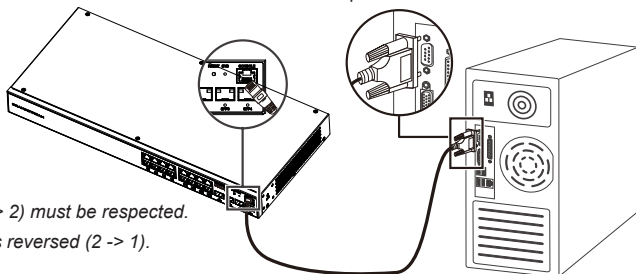


Notes:

- Please select the optical fiber cable according to the module type. The multi-mode module corresponds to the multi-mode optical fiber, and the single-mode module corresponds to the single-mode optical fiber.
- Please select the same wavelength optical fiber cable for connection.
- Please select an appropriate optical module according to the actual networking situation to meet different transmission distance requirements.
- The laser of the first-class laser products is harmful to eyes. Do not look directly at the optical fiber connector.

Connect to Console Port

1. Connect the console cable to the DB9 male connector or USB port to the PC.
2. Connect the other end of the RJ45 end of the console cable to the console port of switch.



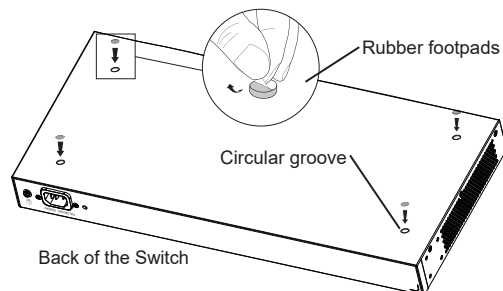
Notes:

- To connect, the steps order (1 -> 2) must be respected.
- To disconnect, the steps order is reversed (2 -> 1).

INSTALLATION

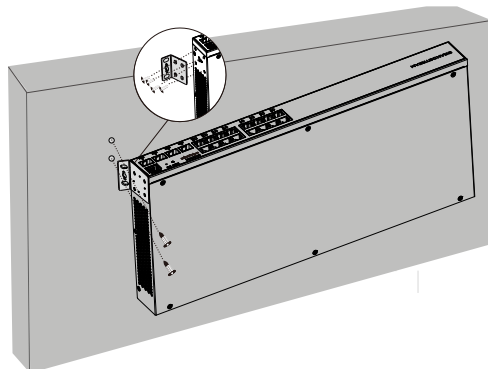
Install on the Desktop

1. Place the bottom of switch on a sufficiently large and stable table.
2. Peel off the rubber protective paper of the four footpads one by one, and stick them in the corresponding circular grooves at the four corners of the bottom of the case.
3. Flip the switch over and place it smoothly on the table.



Install on the Wall

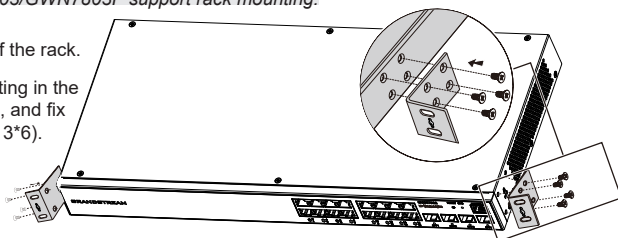
1. Use the matching screws (KM 3*6) to fix the two L-shaped rack-mounting kits (rotated 90°) on both sides of switch.
2. Stick the switch port up and horizontally on the selected wall, mark the position of the screw hole on the L-shaped rack-mounting kits with a marker. Then, drill a hole at the marked position with an impact drill, and drill the expansion screws (prepared by yourself) into the drilled hole in the wall.
3. Use a screwdriver to tighten the screws (prepared by yourself) that have passed through the L-shaped rack-mounting kits to tighten the expansion solenoids to ensure that the switch is firmly installed on the wall.



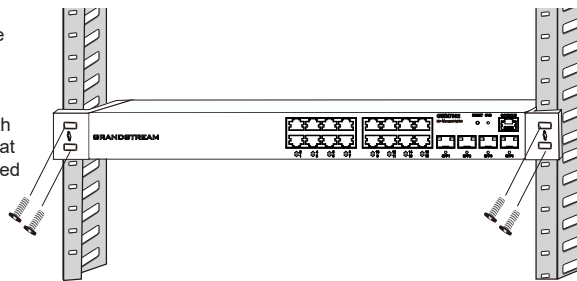
Install on a 19" Standard Rack

Note: GWN7802/GWN7802P/GWN7803/GWN7803P support rack mounting.

1. Check the grounding and stability of the rack.
2. Install the two L-shaped rack-mounting in the accessories on both sides of switch, and fix them with the screws provided (KM 3*6).



3. Place the switch in a proper position in the rack and support it by the bracket.
4. Fix the L-shaped rack-mounting to the guide grooves at both ends of the rack with screws (prepared by yourself) to ensure that the switch is stably and horizontally installed on the rack.

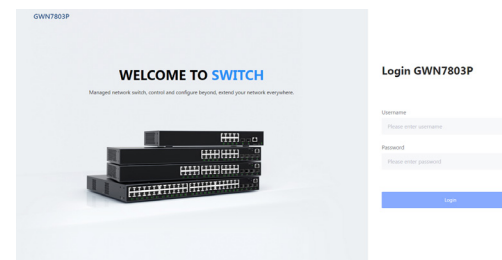


ACCESS & CONFIGURE

Note: If no DHCP server is available, the GWN7800 default IP address is 192.168.0.254.

Method 1: Login using the Web UI

1. A PC uses a network cable to correctly connect any RJ45 port of the switch.
2. Set the Ethernet (or local connection) IP address of the PC to 192.168.0.x ("x" is any value between 1-253), and the subnet mask to 255.255.255.0, so that it is in the same network segment with switch IP address. If DHCP is used, this step could be skipped.
3. Type the switch's default management IP address `http://<gwn7800_ip>` in the browser, and enter username and password to login. (The default administrator username is "admin" and the default random password can be found at the sticker on the GWN7800 switch).



Method 2: Login using the Console port

1. Use the console cable to connect the console port of switch and the serial port of PC.
2. Open the terminal emulation program of PC (e.g. SecureCRT), enter the default username and password to login. (The default administrator username is "admin" and the default random password can be found at the sticker on the GWN7800 switch).

Method 3: Login Remotely using SSH/Telnet

1. Turn on the Telnet of the switch.
2. Enter `cmd` in PC/Start.
3. Enter `telnet <gwn7800_ip>` in the cmd window.
4. Enter the default username and password to login. (The default administrator username is "admin" and the default random password can be found at the sticker on the GWN7800 switch).

Method 4: Configure using GWN.Cloud / GWN Manager

Type `https://www.gwn.cloud` (`https://<gwn_manager_ip>` for GWN Manager) in the browser, and enter the account and password to login the cloud platform. If you don't have an account, please register first or ask the administrator to assign one for you.

The GNU GPL license terms are incorporated into the device firmware and can be accessed via the Web user interface of the device at `my_device_ip/gpl_license`. It can also be accessed here: <https://www.grandstream.com/legal/open-source-software> To obtain a CD with GPL source code information please submit a written request to: info@grandstream.com

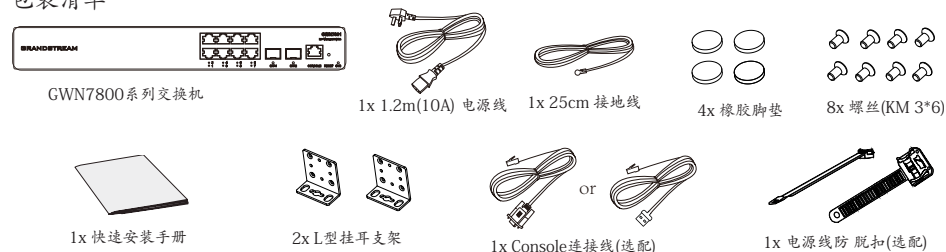
Refer to online documents and FAQ for more detailed information:
<https://www.grandstream.com/our-products>

GWN7800系列2+层企业级网管交换机，专为中小型企业构建百分百管理的可扩展、安全、高性能的智能网络。它既可以使用VLAN进行灵活复杂的流量隔离，也可以使用QoS对强敏感性的语音/视频流量进行自动检测和优先处理，还可以使用IGMP侦听进行网络性能优化，以及具备针对潜在攻击的综合安全功能。PoE型号提供智能PoE输出，为IP电话、IP摄像机、Wi-Fi接入点和其他PoE设备供电。GWN7800系列支持通过多种方式管理，包括嵌入式本地网络控制器、集成本地主机的任一GWN7000系列路由器、Grandstream的免费本地网络管理私有云平台GWN Manager和公有云平台GWN.Cloud。GWN7800系列是面向中小型企业最效益的网管交换机。

注意事项

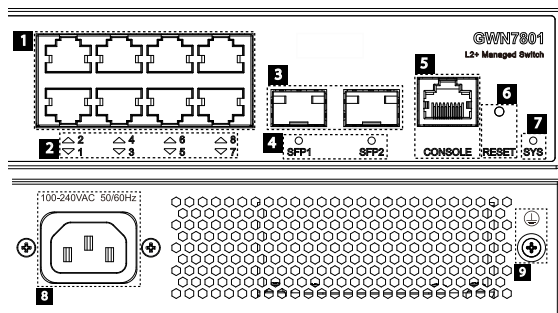
- 请勿尝试打开、拆解或修改设备。
- 至 60°C 的储存环境。
- 请勿将本设备暴露在工作湿度10-90%RH（无冷凝）和储存湿度5-95%RH（无冷凝）的环境中。
- 系统启动或固件升级期间，请勿断开电源。这可能会损坏设备固件，并导致设备故障。

包装清单



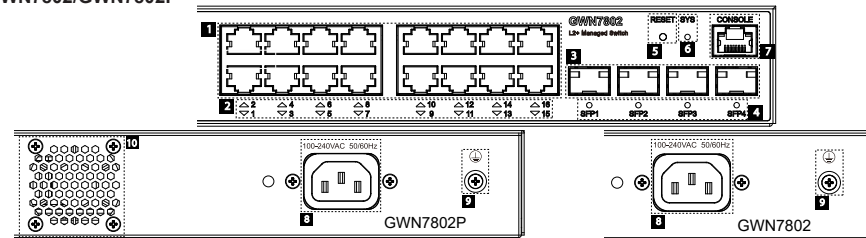
端口&LED指示灯

GWN7801/GWN7801P



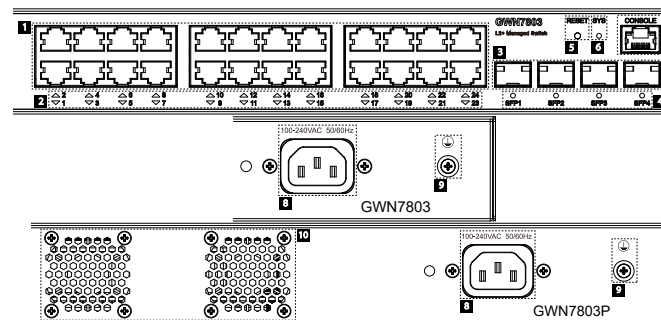
序号	端口&LED	描述
1	端口1-8	8x 以太网RJ45端口 (10/100/1000Mbps)，用于连接以太网设备 注意：GWN7801P以太网端口支持PoE/ PoE+供电
2	1-8	以太网端口LED指示灯
3	端口SFP1/2	2x 1000Mbps SFP端口
4	SFP 1/2	SFP端口LED指示灯
5	CONSOLE	1x Console端口，用于连接管理计算机
6	RESET	恢复出厂设置按钮 按5秒恢复出厂默认设置
7	SYS	系统LED指示灯
8	100-240VAC 50-60Hz	电源插座
9	⏚	防雷接地柱

GWN7802/GWN7802P



序号	端口&LED	描述
1	Port 1-16	16x 以太网RJ45端口 (10/100/1000Mbps)，用于连接以太网设备 注意：GWN
2	1-16	以太网端口LED指示灯
3	端口SFP1/2/3/4	4x 1000Mbps SFP端口
4	SFP 1/2/3/4	SFP端口LED指示灯
5	RESET	恢复出厂设置按钮 按5秒恢复出厂默认设置
6	SYS	系统LED指示灯
7	CONSOLE	1x Console端口，用于连接管理计算机
8	100-240VAC 50-60Hz	电源插座
9	⏚	防雷接地柱
10	Fan	1x 风扇

GWN7803/GWN7803P



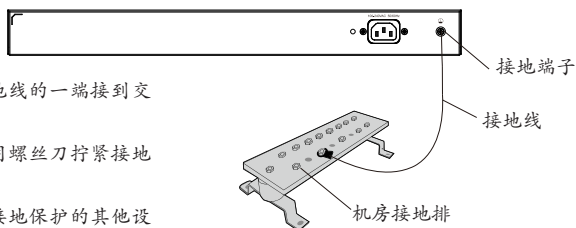
序号	端口&LED	描述
1	端口1-24	24x 以太网RJ45端口 (10/100/1000Mbps)，用于连接以太网设备 注意：GWN7803P以太网端口支持PoE/ PoE+供电
2	1-24	以太网端口LED指示灯
3	端口SFP1/2/3/4	4x 1000Mbps SFP端口
4	SFP 1/2/3/4	SFP端口LED指示灯
5	RESET	恢复出厂设置按钮 按5秒恢复出厂默认设置
6	SYS	系统LED指示灯
7	CONSOLE	1x Console端口，用于连接管理计算机
8	100-240VAC 50-60Hz	电源插座
9	⏚	防雷接地柱
10	风扇	2x 风扇

LED指示灯

LED指示灯	指示灯状态	说明
系统指示灯	关闭	断电
	绿色常亮	开机启动
	绿色闪烁	升级
	蓝色常亮	正常运行
	蓝色闪烁	配置应用
	红色常亮	升级失败
	红色闪烁	恢复出厂
端口指示灯	关闭	- 端口关闭 - SFP端口故障
	绿色常亮	端口连接
	绿色闪烁	端口有数据收发
	黄色常亮	以太网端口连接且进行PoE供电
	黄色闪烁	以太网端口有数据收发且进行PoE供电
	黄绿交替闪烁	以太网端口故障

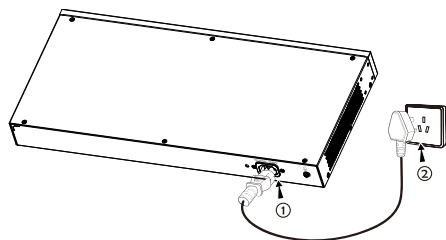
上电和连接 交换机接地

1. 从设备背面拆下接地螺丝，将接地线的一端接到交换机的接地端子。
2. 将接地螺丝重新安回螺丝孔内，用螺丝刀拧紧接地螺丝。
3. 将接地线的另一端连接到已进行接地保护的其他设备或直接连接到机房接地排的接线柱上。



连接电源线

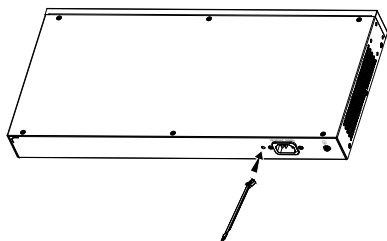
在连接电源线时，先完成电源线与交换机侧的连接，再进行电源线与机房供电系统的连接



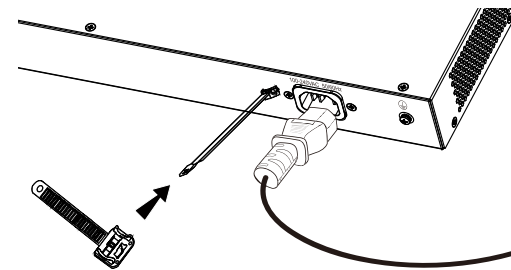
连接电源线防脱扣(可选)

为了保护电源意外断开，建议购买电源线防脱扣进行安装。

1. 将固定带光滑的一面朝向电源插座，接入电源插座侧边的孔里



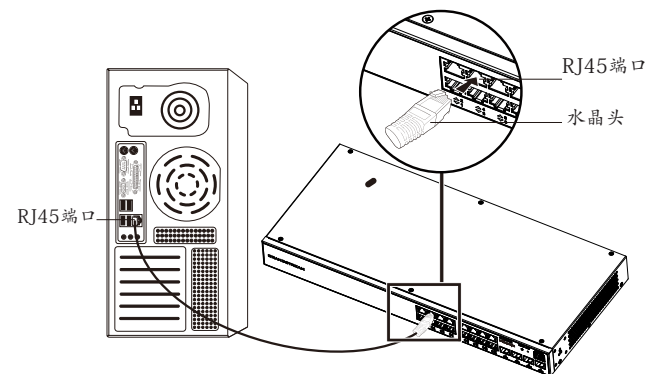
2. 将电源线插到交换机的电源插座后，将保护绳滑过固定带，直到它滑到电源线的末端。
3. 将保护绳的绑带绕在电源线上，并锁紧。将固定带系紧，直到电源线系牢为止。



端口连接

连接至RJ45端口

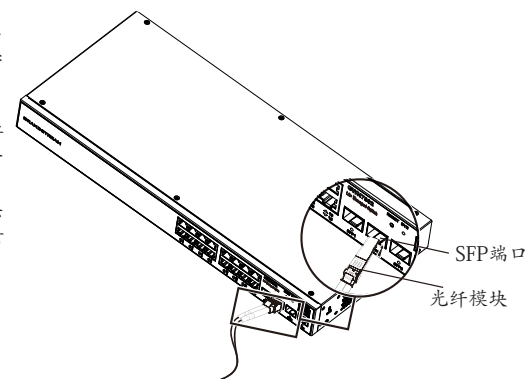
1. 将网线一端连接到交换机，另一端连接到对端设备。
2. 上电后，请检查端口指示灯状态，若灯亮表示链路已正常连通；若灯灭表示链路不通，请检查线路，确认对端设备已启用。



连接SFP端口

光纤模块的安装过程如下：

1. 从侧面抓住光纤模块，将其沿交换机SFP端口插槽平滑插入，直至光纤模块与交换机紧密接触为止。
2. 连接时注意确认SFP光纤模块的Tx和Rx口，将光纤的一端对应插入Tx和Rx口，光纤的另一端连接到另一设备。
3. 上电后，请检查端口指示灯状态，若灯亮表示链路已正常连通；若灯灭表示链路不通，请检查线路，确认对端设备已启用。



注意：

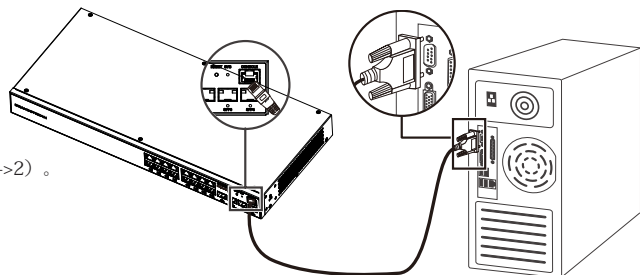
- 请根据模块类型选择光纤线，多模模块对应多模光纤，单模模块对应单模光纤；
- 请选择相同波长的光纤线进行连接；
- 请根据实际组网情况选择合适的光模块，以满足不同的传输距离要求；
- 一类激光产品的激光对眼睛有伤害，请勿用眼睛直视光纤连接器，否则可能对眼睛造成伤害。

连接Console端口

1. 将Console连接线的DB9公头或USB端口插入计算机。
2. 将Console连接线的另一端RJ45端连到交换机的Console口。

注意：

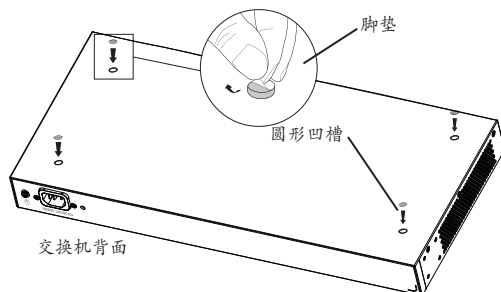
- 连接时，必须遵守步骤顺序（1->2）。
- 断开时，按步骤（2->1）执行。



设备安装

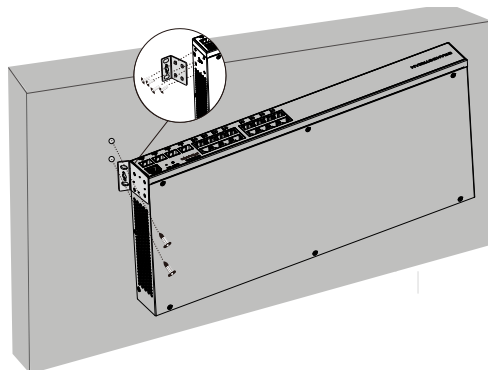
安装到桌面

1. 将交换机底部朝上放置于足够大且稳定的桌面上。
2. 逐个揭去4个脚垫的胶面保护纸，分别黏贴在机壳底部四角对应的圆形凹槽中。
3. 将交换机翻转过来，平稳地放在桌面上。



安装到墙面

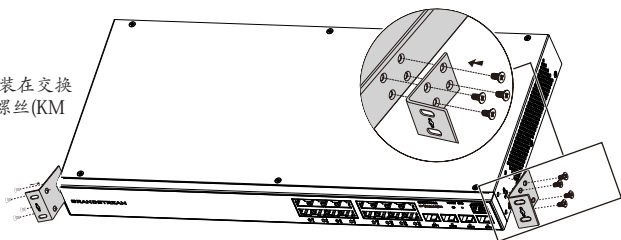
1. 使用配套的螺丝(KM 3*6)将两个L型挂耳支架(旋转90°)分别固定在交换机的两侧。
2. 将交换机端口朝上水平贴于选定的墙上，用记号笔标记好L型挂耳支架上螺丝孔的位置，然后用冲击钻在标记位置钻孔，再将膨胀螺管(请自备)打入墙上的钻孔中。
3. 用螺丝刀将已穿过L型挂耳支架的螺钉(请自备)拧紧膨胀螺管，确保交换机稳固地安装到墙面。



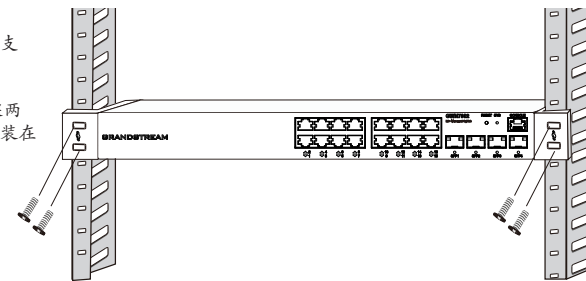
安装到19英寸标准机架上

注意：GWN7802/GWN7802P/GWN7803/GWN7803P支持机架安装。

1. 检查机架的接地与稳定性。
2. 将配件中的两个L型挂耳支架分别安装在交换机面板的两侧，并用配件中提供的螺丝(KM 3*6)固定。



3. 将交换机安放在机架内适当位置，由托架支撑。
4. 用螺钉(请自备)将L型挂耳支架固定在机架两端的导槽上，确保交换机稳定、水平地安装在机架上。

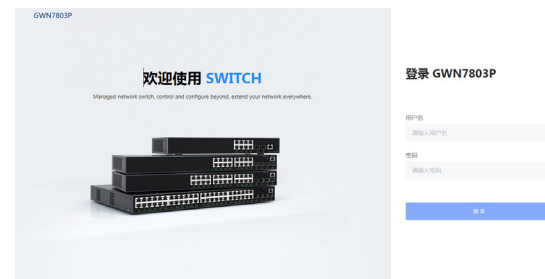


访问和配置设备

注意：如果网络中没有DHCP服务器，GWN7800 的缺省IP地址将是：192.168.0.254。

方法1：使用Web UI登录交换机

1. 普通计算机使用网线正确连接交换机任意一个RJ45端口。
2. 设置计算机的以太网(或本地连接)IP地址192.168.0.x(“x”为1-253间任意值)，子网掩码设置为255.255.255.0，使其与交换机的IP地址在同一网段。如果使用DHCP，则可以跳过此步骤。
3. 打开浏览器，在地址栏中输入交换机默认管理IP地址 `http://<gwn7800_IP>`，并输入默认用户名和密码（默认用户名为admin，默认密码为随机值，写于设备机身贴纸上）。



方法2：使用Console口登录交换机

1. 使用Console连接线连接交换机的Console口和计算机的串口。
2. 打开计算机的终端仿真程序（如SecureCRT程序），进入后输入默认用户名和密码（默认用户名为admin，默认密码为随机值，写于设备机身贴纸上），即可访问交换机。

方法3：使用SSH/Telnet远程登录交换机

1. 打开交换机的Telnet功能。
2. 在计算机/开始中输入“cmd”。
3. 在cmd窗口中输入 `telnet <gwn7800_IP>`。
4. 输入默认用户名和密码（默认用户名为admin，默认密码为随机值，写于设备机身贴纸上），回车即可登录。

方法4：使用GWN.Cloud / GWN Manager云平台远程管理交换机

在计算机地址栏中输入 `https://www.gwn.cloud`，并输入帐号和密码以进入云平台页面。若无帐号，可进行注册或找管理员帮忙分配。在平台上添加交换机即可进行管理。

GNU GPL许可条款已包含在设备固件中，可以通过设备的Web用户界面 `my_device_ip/gpl_license` 进行访问。也可以通过以下链接访问：`http://www.grandstream.com/legal/open-source-software`。如果需要包含GPL源代码信息的CD，请发邮件到 `info@grandstream.com` 提交请求。

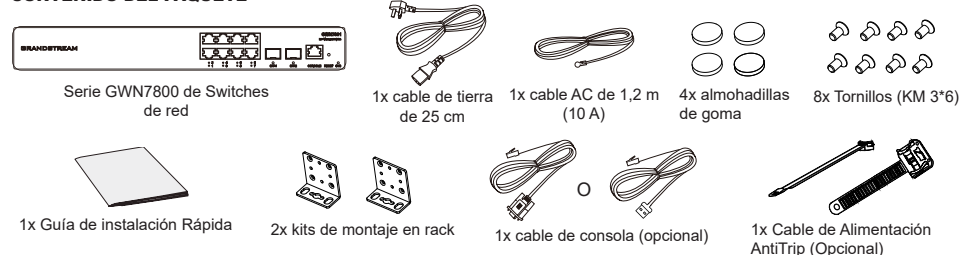
欲获取详细的交换机使用信息，请在以下链接中查看GWN7800系列用户手册
<https://www.grandstream.com/our-products>

La serie GWN7800 son Switches administrables de capa +2 que permiten a las pequeñas y medianas empresas crear redes comerciales escalables, seguras, de alto rendimiento, inteligentes y totalmente administrables. Soporte de VLAN avanzado para una segmentación de tráfico flexible y sofisticada, QoS avanzado para la detección y priorización automática del tráfico sensible a la latencia como voz/video, posee IGMP Snooping para la optimización del rendimiento de la red y amplias capacidades de seguridad contra posibles ataques. Los modelos PoE proporcionan una salida PoE inteligente para energizar teléfonos IP, cámaras IP, puntos de acceso Wi-Fi y otros puntos finales PoE. La serie GWN7800 se puede administrar de varias maneras, mediante el controlador de red local integrado en el Switch de la serie GWN7800, usando cualquier enrutador de la serie GWN7000 como maestro local, mediante el software de administración de red gratuito de Grandstream (GWN Manager), así como también a través de la plataforma de gestión de red en la nube (GWN.Cloud). La serie GWN7800 son Switches de red administrables de nivel empresarial mejor valorado para pequeñas y medianas empresas.

PRECAUCIONES

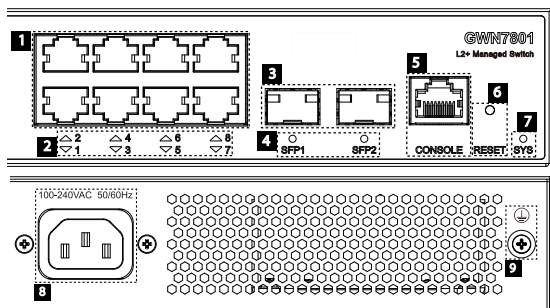
- No intente abrir, desarmar o modificar el dispositivo.
- No exponga este dispositivo a temperaturas fuera del rango de 0 °C a 45 °C en funcionamiento y desde -10 °C a 60 °C cuando se encuentre almacenado.
- No exponga el GWN7800 a entornos fuera del siguiente rango de humedad: 10-90% RH (sin condensación).
- No apague su GWN7800 durante el reinicio del sistema o actualización.
- de Firmware. Puede corromper la imagen del firmware y causar un mal funcionamiento de la unidad.

CONTENIDO DEL PAQUETE



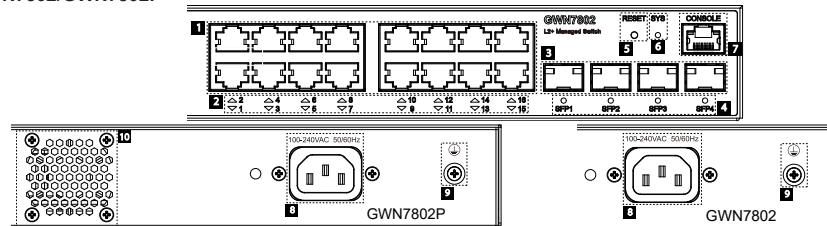
PUERTOS E INDICADORES LED

GWN7801/GWN7801P



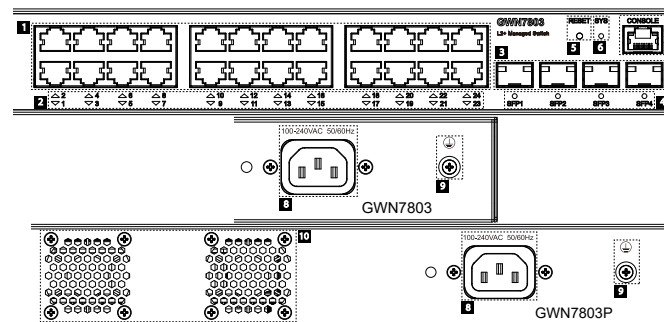
No.	Puerto Y LED	Descripción
1	Port 1-8	8x Ethernet RJ45 (10/100/1000Mbps), utilizado para conectar terminales. Nota: Los puertos Ethernet del GWN7801P soportan PoE y PoE+.
2	1-8	Indicadores LED de los puertos Ethernet
3	Puerto SFP1/2	2x puertos SFP de 1000 Mbps
4	SFP 1/2	Indicadores LED de los puertos SFP
5	CONSOLE	1x Puerto de consola, utilizado para conectar la PC de administración
6	RESET	Botón de restablecimiento de fábrica. Presione durante 5 segundos para restablecer la configuración predeterminada de fábrica.
7	SYS	Indicador LED del sistema
8	100-240VAC 50-60Hz	Toma de corriente
9		Toma de puesta a tierra para protección contra descargas

GWN7802/GWN7802P



No.	Puerto Y LED	Descripción
1	Port 1-16	16x Ethernet RJ45 (10/100/1000Mbps), utilizado para conectar terminales. Nota: Los puertos Ethernet del GWN7802P soportan PoE y PoE+.
2	1-16	Indicadores LED de los puertos Ethernet
3	Puerto SFP1/2/3/4	4x puertos SFP de 1000 Mbps
4	SFP 1/2/3/4	Indicadores LED de los puertos SFP
5	RESET	Botón de restablecimiento de fábrica. Presione durante 5 segundos para restablecer la configuración predeterminada de fábrica.
6	SYS	Indicador LED del sistema
7	CONSOLE	1x Puerto de consola, utilizado para conectar la PC de administración
8	100-240VAC 50-60Hz	Toma de corriente
9		Toma de puesta a tierra para protección contra descargas
10	Ventilador	1x Ventilador

GWN7803/GWN7803P



No.	Puerto Y LED	Descripción
1	Port 1-24	24x Ethernet RJ45 (10/100/1000Mbps), utilizado para conectar terminales. Nota: Los puertos Ethernet del GWN7803P soportan PoE y PoE+.
2	1-24	Indicadores LED de los puertos Ethernet
3	Puerto SFP1/2/3/4	4x puertos SFP de 1000 Mbps
4	SFP 1/2/3/4	Indicadores LED de los puertos SFP
5	RESET	Botón de restablecimiento de fábrica. Presione durante 5 segundos para restablecer la configuración predeterminada de fábrica.
6	SYS	Indicador LED del sistema
7	CONSOLE	1x Puerto de consola, utilizado para conectar la PC de administración
8	100-240VAC 50-60Hz	Toma de corriente
9		Toma de puesta a tierra para protección contra descargas
10	Fan	2x Ventiladores

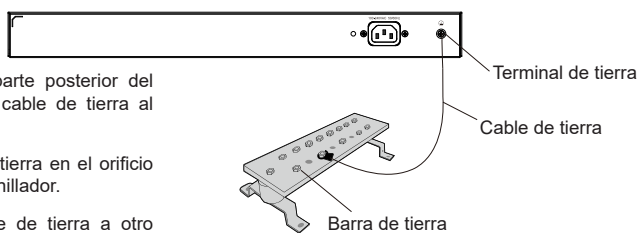
Indicador LED

Indicador LED	Estado	Descripción
Indicador del sistema	Off	Apagado
	Verde solido	Iniciando
	Verde intermitente	Actualización
	Azul sólido	Uso habitual
	Azul intermitente	Aprovisionando
	Rojo sólido	Actualización fallida
	Rojo intermitente	Restablecimiento de fábrica
Indicador del puerto	Off	<ul style="list-style-type: none"> Para todos los puertos, puerto apagado Para puertos SFP, falla de puerto
	Verde solido	Puerto conectado y no hay actividad
	Verde intermitente	Puerto conectado y se están transfiriendo datos
	Amarillo sólido	Ethernet port connected and PoE powered
	Amarillo intermitente	Ethernet port connected, data is transferring and PoE powered
	Verde y amarillo intermitentes de forma alternada	Falla del puerto ethernet

ENERGIZANDO Y CONECTANDO

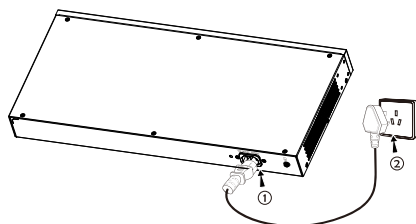
Conectando a tierra el Switch

1. Retire el tornillo de tierra de la parte posterior del Switch y conecte un extremo del cable de tierra al terminal del del Switch.
2. Coloque nuevamente el tornillo de tierra en el orificio del tornillo y apriételo con un destornillador.
3. Conecte el otro extremo del cable de tierra a otro dispositivo que haya sido puesto a tierra o directamente a la terminal de la barra de tierra de la sala de equipos.



Energizando el Switch

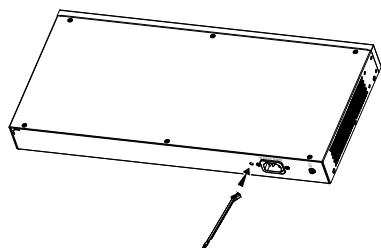
Conecte primero el cable de alimentación al Switch, luego conecte el cable de alimentación al sistema de alimentación de la sala de equipos.



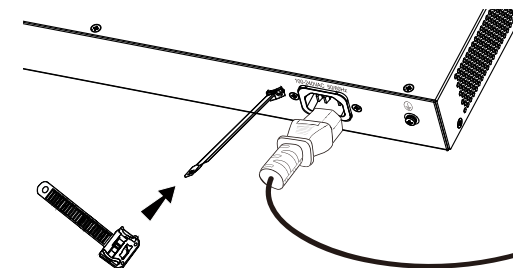
Conexión del cable de alimentación Anti-Trip (Opcional)

Para proteger la fuente de alimentación de una desconexión accidental, se recomienda comprar un cable de alimentación anti-trip para la instalación.

1. Coloque el lado liso de la correa de fijación hacia la toma de corriente e insértela en el orificio del lateral.



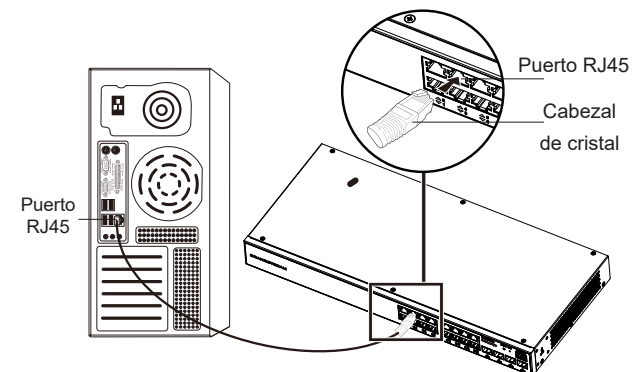
2. Después de conectar el cable de alimentación en el tomacorriente, deslice el protector sobre la correa restante hasta que se deslice sobre el extremo del cable de alimentación.
3. Envuelva la correa del cable protector alrededor del cable de alimentación y asegúrelo firmemente. Ajuste las correas hasta que el cable de alimentación quede bien sujeto.



CONEXIÓN DE PUERTO

Conexión al puerto RJ45

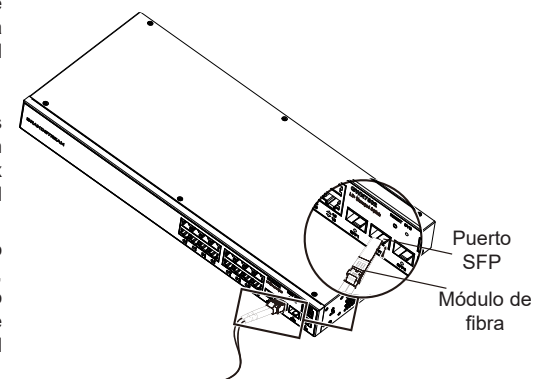
1. Conecte un extremo del cable de red al Switch y el otro extremo al dispositivo final.
2. Después del encendido, verifique el estado del indicador del puerto. Si está encendido, significa que el enlace está conectado normalmente; si está apagado, significa que el enlace está desconectado, verifique que el cable y que el dispositivo final este activo.



Conectar al puerto SFP

El proceso de instalación del módulo de fibra es el siguiente:

1. Sujete el módulo de fibra por un lado e insértelo suavemente a lo largo de la ranura del puerto SFP del Switch hasta que el módulo cierre el contacto
2. Al conectar, preste atención a los puertos Rx y Tx del módulo de fibra SFP. Inserte un extremo de la fibra en los puertos Rx y Tx correspondientes y conecte el otro extremo al dispositivo final.
3. Después del encendido, verifique el estado del indicador del puerto. Si está encendido, significa que el enlace está conectado normalmente; si está apagado, significa que el enlace está desconectado, verifique que el cable y que el dispositivo final este activo.

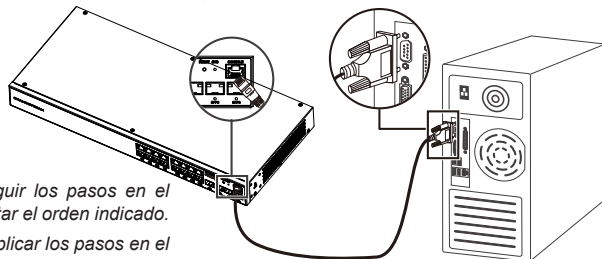


Nota:

- Seleccione el cable de fibra óptica según el tipo de módulo. El módulo multimodo corresponde a la fibra óptica multimodo, y el módulo monomodo corresponde a la fibra óptica monomodo.
- Seleccione el cable de fibra óptica de la misma longitud de onda para la conexión.
- Seleccione un módulo óptico apropiado de acuerdo con la situación real de la red para cumplir con los diferentes requisitos de distancia de transmisión.
- El láser de los productos láser de primera clase es dañino para los ojos. No mire directamente al conector de fibra óptica.

Conectar al puerto de la consola

1. Conecte el cable de la consola al puerto DB9 macho o puerto USB a la PC.
2. Conecte el otro extremo del cable de la consola (conector RJ45) al puerto de la consola del switch.



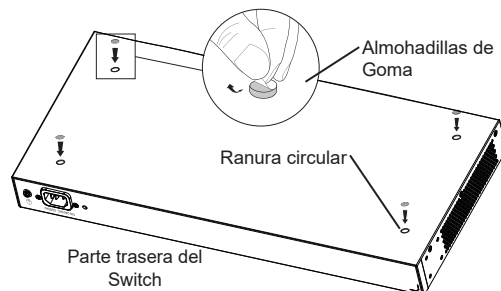
Notas:

- Para realizar la conexión, deberá seguir los pasos en el orden indicado (1 -> 2). Se debe respetar el orden indicado.
- Para realizar la desconexión, deberá aplicar los pasos en el orden inverso (2 -> 1).

INSTALACIÓN

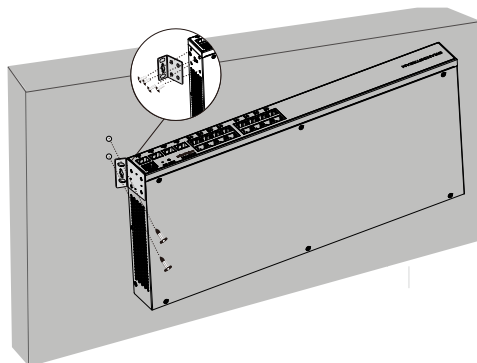
Instalación en Escritorio

1. Coloque la parte inferior del Switch sobre una mesa lo suficientemente grande y estable.
2. Despegue el papel protector de goma de las cuatro almohadillas, una por una, y péguelas en las ranuras circulares correspondientes en las cuatro esquinas de la parte inferior de la caja.
3. Voltee el Switch y colóquelo suavemente sobre la mesa.



Instalación en pared

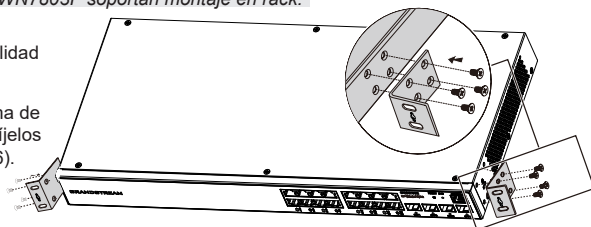
1. Utilice los tornillos correspondientes (KM 3*6) para fijar los dos kits de montaje en rack en forma de L (girados 90°) en ambos lados del Switch.
2. Pegue el puerto del Switch hacia arriba y horizontalmente en la pared seleccionada, marque la posición del orificio del tornillo de los kits de montaje en con un marcador. Luego, perforo un orificio en la posición marcada con un taladro de percusión e inserte los expansores (preparados por usted mismo) en el orificio perforado en la pared.
3. Utilice un destornillador para apretar los tornillos (preparados por usted mismo) insertados a través de los kits de montaje para apretar los solenoides de expansión y asegurarse de que el Switch esté firmemente instalado en la pared.



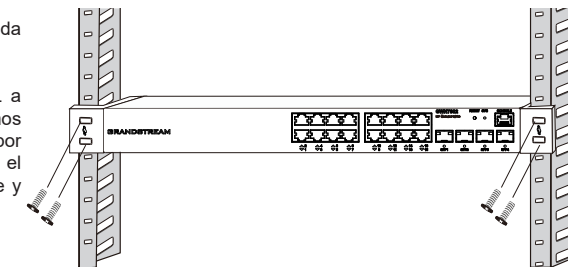
Instalación en un rack estándar de 19"

Nota: GWN7802/GWN7802P/GWN7803/GWN7803P soportan montaje en rack.

1. Compruebe la puesta a tierra y la estabilidad del bastidor.
2. Instale los dos montajes en rack en forma de L incluidos a ambos lados del Switch y fíjelos con los tornillos proporcionados (KM 3*6).



3. Coloque el Switch en la posición adecuada en el bastidor y apóyelo en el soporte.
4. Fije el montaje en rack en forma de L a las ranuras de guía en ambos extremos del rack con tornillos (preparados por usted mismo) para asegurarse de que el Switch esté instalado de manera estable y horizontal en el rack.

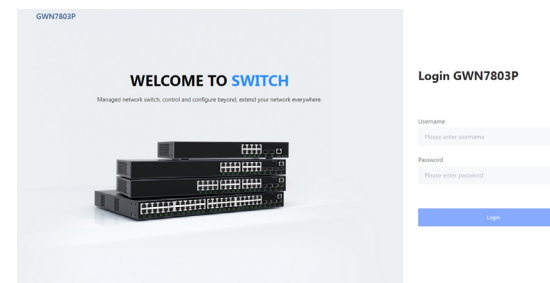


ACCEDER Y CONFIGURAR

Nota: Si no hay ningún servidor DHCP disponible, la dirección IP predeterminada del GWN7800 es 192.168.0.254.

Método 1: Iniciar sesión con la interfaz de usuario web

1. Use una PC para conectar correctamente a un puerto RJ45 a cualquiera del Switch usando un cable de red.
2. Establezca la dirección IP de Ethernet (o conexión local) de la PC en 192.168.0.x ("x" es cualquier valor entre 1 y 253), y la máscara de subred en 255.255.255.0, para que esté en el mismo segmento de red con la dirección IP del Switch. Si DHCP es utilizado, puede saltar este paso.
3. Escriba la dirección IP de administración predeterminada del Switch `http://<gwn7800_IP>` en el navegador e ingrese el nombre de usuario y la contraseña para iniciar sesión (el nombre de usuario del administrador predeterminado es "admin" y la contraseña aleatoria predeterminada se puede encontrar en la etiqueta del Switch GWN7800).



Método 2: Inicie sesión usando el puerto de la consola

1. Utilice el cable de la consola para conectar el puerto de la consola del Switch y el puerto serial de la PC.
2. Abra el programa de emulación de terminal de la PC (por ejemplo, SecureCRT), ingrese el nombre de usuario y la contraseña predeterminados para iniciar sesión. (El nombre de usuario predeterminado del administrador es "admin" y la contraseña aleatoria predeterminada se puede encontrar en la etiqueta del Switch GWN7800).

Método 3: Iniciar sesión de forma remota mediante SSH/Telnet

1. Encienda el Telnet del Switch.
2. Ingrese "cmd" en PC/Inicio.
3. Ingrese "telnet <gwn7800_IP>" en la ventana cmd.
4. Ingrese el nombre de usuario y la contraseña predeterminados para iniciar sesión (el nombre de usuario del administrador predeterminado es "admin" y la contraseña aleatoria predeterminada se puede encontrar en la etiqueta del Switch GWN7800).

Método 4: Configurar usando GWN.Cloud / GWN Manager

Escriba `https://www.gwn.cloud` en el navegador e ingrese la cuenta y la contraseña para iniciar sesión en la plataforma en la nube. Si no tiene una cuenta, regístrese primero o solicite al administrador que le asigne una.

Los términos de licencia GNU GPL son incorporados en el firmware del dispositivo y puede ser accedido a través de la interfaz de usuario Web del dispositivo en `http(s)://IP/gpl_license` Para obtener un CD con la información del código fuente GPL, por favor, remita una solicitud escrita a `info@grandstream.com`

Para obtener el manual de usuario, favor haga click aquí:
<https://www.grandstream.com/our-products>

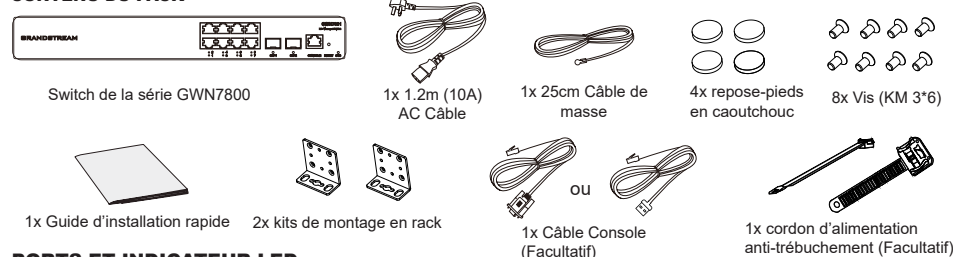
FR PRESENTATION

La série GWN7800 sont des switches réseau gérés de couche 2+ qui permettent aux petites et moyennes entreprises de créer des réseaux d'entreprise évolutifs, sécurisés, hautes performances et des réseaux d'entreprise intelligents entièrement gérables. Il prend en charge le VLAN avancé pour une segmentation du trafic flexible et sophistiquée, une qualité de service avancée pour la détection et la hiérarchisation automatisées du trafic voix/vidéo sensible à la latence, la surveillance IGMP pour l'optimisation des performances du réseau et des capacités de sécurité complètes contre les attaques potentielles. Les modèles PoE fournissent une sortie PoE dynamique intelligente pour alimenter les téléphones IP, les caméras IP, les points d'accès Wi-Fi et d'autres points de terminaison PoE. La série GWN7800 peut être gérée de plusieurs façons, y compris le contrôleur de réseau local intégré dans le switch de la série GWN7800, tout routeur de la série GWN7000 avec maître local intégré, le logiciel gratuit de gestion de réseau sur site de Grandstream (GWN Manager), ainsi que le plate-forme de gestion de réseau cloud (GWN.Cloud). La série GWN7800 est constituée de switches réseau de niveau entreprise au meilleur rapport qualité-prix pour les petites et moyennes entreprises

PRECAUTIONS

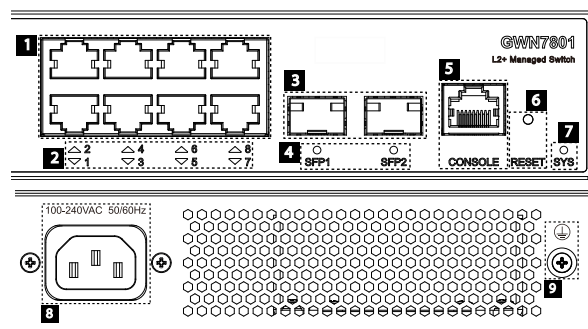
- Ne pas tenter d'ouvrir, de désassembler, ou de modifier le dispositif
- Ne pas exposer cet appareil à des températures situées hors de la plage de 0 °C à 45 °C en opération et -10 °C à 60 °C en stockage.
- Ne pas exposer cet appareil à un environnement avec humidité hors de la plage de 10-90% RH (sans condensation).
- Ne pas éteindre le GWN7800 pendant le démarrage du système ou la mise à jour du firmware. Cela risque de rompre l'image du firmware et en conséquence rendre l'unité inutilisable.

CONTENU DU PACK



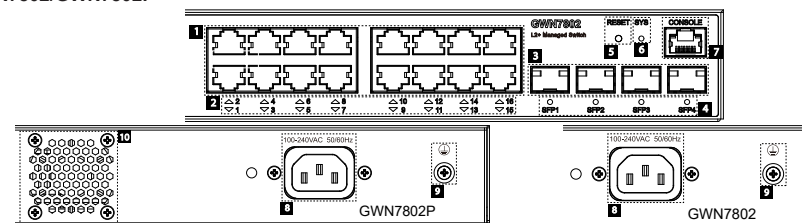
PORTS ET INDICATEUR LED

GWN7801/GWN7801P



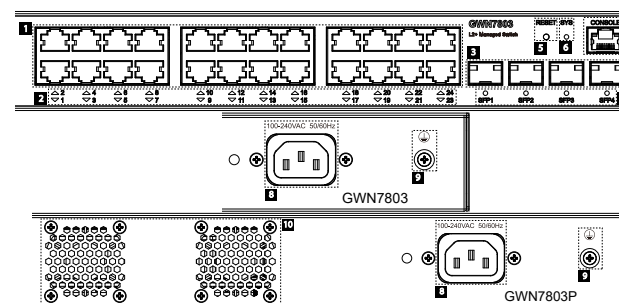
No.	Port & LED	Description
1	Port 1-8	8x Ethernet RJ45 (10/100/1000Mbps), utilisé pour connecter les terminaux. Remarque : Les ports Ethernet GWN7801P prennent en charge PoE et PoE+
2	1-8	Indicateurs LED des ports Ethernet
3	Port SFP1/2	2x ports SFP 1000Mbps
4	SFP 1/2	Indicateurs LED des ports SFP
5	CONSOLE	1x port console, utilisé pour la connexion, ordinateur de gestion
6	RESET	Bouton de réinitialisation d'usine. Appuyez pendant 5 secondes pour réinitialiser les paramètres d'usine par défaut
7	SYS	Indicateur LED du système
8	100-240VAC 50-60Hz	Prise de courant
9		Poteau de mise à la terre de protection contre la foudre

GWN7802/GWN7802P



No.	Port & LED	Description
1	Port 1-16	16x Ethernet RJ45 (10/100/1000Mbps), utilisé pour connecter les terminaux. Remarque : Les ports Ethernet GWN7802P prennent en charge PoE et PoE+
2	1-16	Indicateurs LED des ports Ethernet
3	Port SFP1/2/3/4	4x ports SFP 1000Mbps
4	SFP 1/2/3/4	Indicateurs LED des ports SFP
5	RESET	Bouton de réinitialisation d'usine. Appuyez pendant 5 secondes pour réinitialiser les paramètres d'usine par défaut
6	SYS	Indicateur LED du système
7	CONSOLE	1x port console, utilisé pour la connexion, ordinateur de gestion
8	100-240VAC 50-60Hz	Prise de courant
9		Poteau de mise à la terre de protection contre la foudre
10	Ventilateur	1x Ventilateur

GWN7803/GWN7803P



No.	Port & LED	Description
1	Port 1-24	24x Ethernet RJ45 (10/100/1000Mbps), utilisé pour connecter les terminaux. Remarque : Les ports Ethernet GWN7803P prennent en charge PoE et PoE+
2	1-24	Indicateurs LED des ports Ethernet
3	Port SFP1/2/3/4	4x ports SFP 1000Mbps
4	SFP 1/2/3/4	Indicateurs LED des ports SFP
5	RESET	Bouton de réinitialisation d'usine. Appuyez pendant 5 secondes pour réinitialiser les paramètres d'usine par défaut
6	SYS	Indicateur LED du système
7	CONSOLE	1x port console, utilisé pour la connexion, ordinateur de gestion
8	100-240VAC 50-60Hz	Prise de courant
9		Poteau de mise à la terre de protection contre la foudre
10	Ventilateur	2x Ventilateur

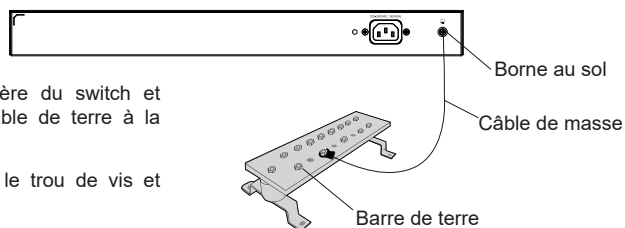
Indicateur LED

Indicateur LED	Statut	Description
Indicateur de système	Off	Éteint
	Vert solide	Démarrage
	Vert clignotant	Mise à niveau
	Bleu solide	Utilisation normale
	Bleu clignotant	Approvisionnement
	Rouge Solide	Échec de la mise à niveau
	Rouge clignotant	Retour aux paramètres d'usine
Indicateur de port	Off	Pour tous les ports, port off & Pour les ports SFP, échec de port
	Vert Solide	Le port est connecté et les données sont en cours de transfert
	Vert clignotant	Port Ethernet connecté et alimenté par PoE
	Jaune Solide	Ethernet port connected and PoE powered
	Jaune clignotant	Port Ethernet connecté, transfert de données et alimentation PoE
	Clignotant alternativement jaune et vert	Échec du port Ethernet

ALIMENTATION ET CONNEXION

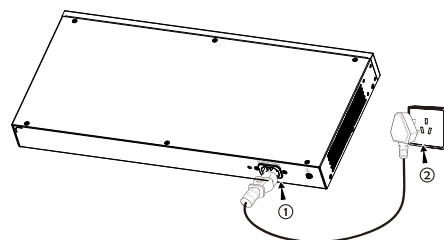
Mise à la terre du Switch

1. Retirez la vis de terre à l'arrière du switch et connectez une extrémité du câble de terre à la borne de câblage du switch.
2. Remettez la vis de terre dans le trou de vis et serrez-la avec un tournevis.
3. Connectez l'autre extrémité du câble de terre à un autre appareil qui a été mis à la terre ou directement à la borne de la barre de terre dans le local technique



Alimentation du Switch

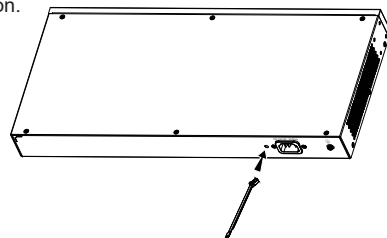
Connectez d'abord le câble d'alimentation et du switch, puis connectez le câble d'alimentation au système d'alimentation du local technique.



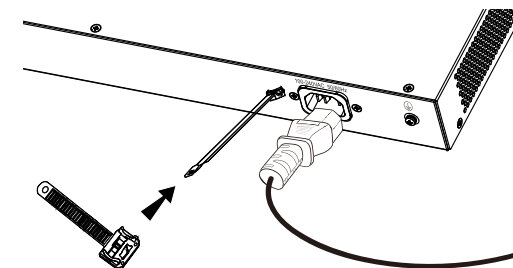
Connexion du cordon d'alimentation anti-trébuchement (facultatif)

Afin de protéger l'alimentation contre une déconnexion accidentelle, il est recommandé d'acheter un cordon d'alimentation anti-déclenchement pour l'installation.

1. Placez le côté lisse de la sangle de fixation vers la prise de courant et insérez-la dans le trou sur le côté de celle-ci.



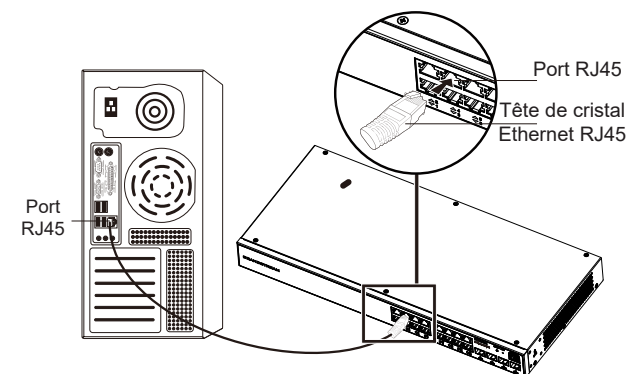
2. Après avoir branché le cordon d'alimentation dans la prise de courant, faites glisser le protecteur sur la sangle restante jusqu'à ce qu'il glisse sur l'extrémité du cordon d'alimentation
3. Enroulez la sangle du cordon de protection autour du cordon d'alimentation et verrouillez-le fermement. Attachez les sangles jusqu'à ce que le cordon d'alimentation soit solidement fixé



CONNECTER LES PORT

Connectez-vous au port RJ45

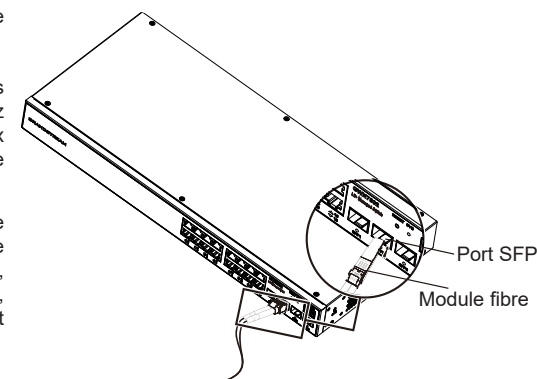
1. Connectez une extrémité du câble réseau au switch et l'autre extrémité au périphérique pair.
2. Après le démarrage, vérifiez l'état de l'indicateur de port. S'il est activé, cela signifie que le lien est connecté normalement ; s'il est éteint, cela signifie que le lien est déconnecté, veuillez vérifier si le câble et l'appareil pair sont activés.



Connectez-vous au port SFP

Le processus d'installation du module fibre est le suivant :

1. Saisissez le module fibre par le côté et insérez-le doucement le long de l'emplacement du port SFP du switch jusqu'à ce que le module soit en contact étroit avec le switch.
2. Lors de la connexion, veillez à confirmer les ports Rx et Tx du module fibre SFP. Insérez une extrémité de la fibre dans les ports Rx et Tx en conséquence, et connectez l'autre extrémité à un autre appareil.
3. Après la mise sous tension, vérifiez l'état de l'indicateur de port. Si activé, il signifie que le lien est connecté normalement ; si désactivé, cela signifie que le lien est déconnecté, veuillez vérifier le câble et l'appareil pair si est autorisé.

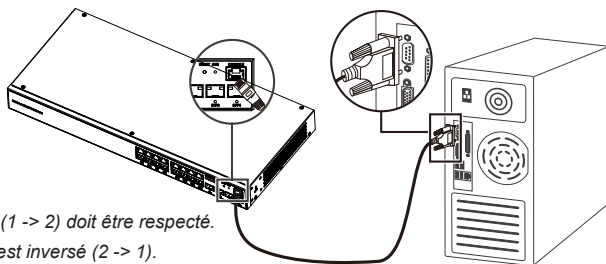


Remarques:

- Veuillez sélectionner le câble à fibre optique en fonction du type de module. Le module multimode correspond à la fibre optique multimode, et le module monomode correspond à la fibre optique monomode.
- Veuillez sélectionner le même câble à fibre optique de longueur d'onde pour la connexion.
- Veuillez sélectionner un module optique approprié en fonction de la situation réelle du réseau pour répondre aux différentes exigences de distance de transmission.
- Le laser des produits laser de première classe est nocif pour les yeux. Ne regardez pas directement le connecteur de la fibre optique.

Connectez-vous au port de la console

1. Connectez le câble de la console au connecteur mâle DB9 ou au port USB du PC.
2. Connectez l'autre extrémité du câble RJ45 au port console du Switch.



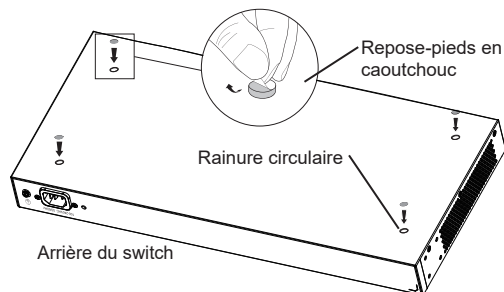
Remarques:

- Pour se connecter, l'ordre des étapes (1 -> 2) doit être respecté.
- Pour déconnecter, l'ordre des étapes est inversé (2 -> 1).

INSTALLATION

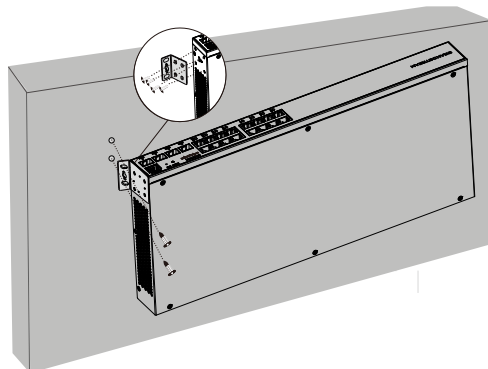
Installer sur le bureau

1. Placez le bas du switch sur une table suffisamment grande et stable.
2. Décollez un par un le papier de protection en caoutchouc des quatre patins et collez-les dans les rainures circulaires correspondantes aux quatre coins du bas du boîtier.
3. Retournez le switch et placez-le doucement sur la table.



Installer sur le mur

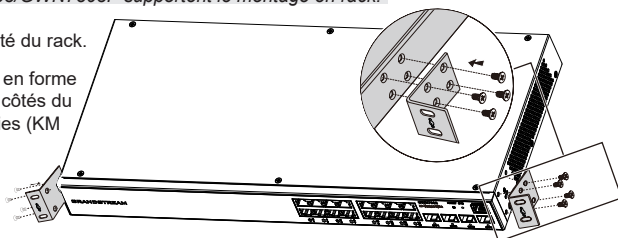
1. Utilisez les vis correspondantes (KM 3*6) pour fixer les deux kits de montage en rack en forme de L (pivotés de 90°) des deux côtés du switch.
2. Collez le port du switch vers le haut et horizontalement sur le mur sélectionné, marquez la position du trou de vis sur les kits de montage en rack en forme de L avec un marqueur. Ensuite, percez un trou à la position marquée avec une perceuse à percussion et percez les vis d'expansion (préparées par vous-même) dans le trou percé dans le mur.
3. Utilisez un tournevis pour serrer les vis (préparées par vous-même) qui ont traversé les kits de montage en rack en forme de L pour serrer les solénoïdes d'extension afin de vous assurer que le switch est fermement installé sur le mur.



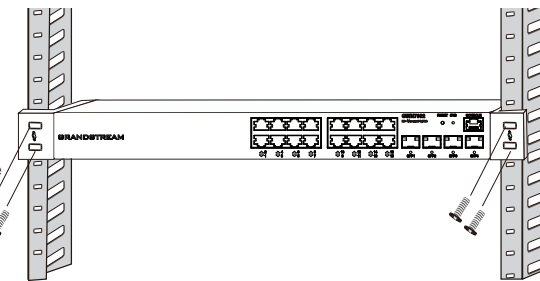
Installer sur un rack standard 19"

Note: GWN7802/GWN7802P/GWN7803/GWN7803P supportent le montage en rack.

1. Vérifiez la mise à la terre et la stabilité du rack.
2. Installez les deux montages en rack en forme de L dans les accessoires des deux côtés du switch et fixez-les avec les vis fournies (KM 3*6).



3. Placez le switch dans une position appropriée dans le rack et soutenez-le par le support.
4. Fixez le montage en rack en forme de L aux rainures de guidage aux deux extrémités du rack avec des vis (préparées par vous-même) pour vous assurer que le switch est installé de manière stable et horizontale sur le rack.

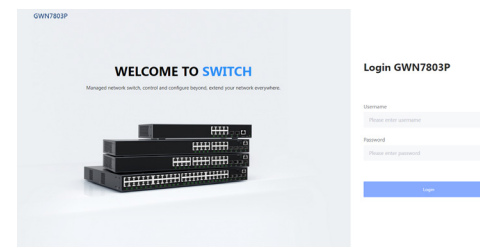


ACCÉDER & CONFIGURER

Remarque: Si aucun serveur DHCP n'est disponible, l'adresse IP par défaut du GWN7800 est 192.168.0.254.

Méthode 1 : connexion à l'aide de l'interface utilisateur Web

1. Un PC utilise un câble réseau pour connecter correctement n'importe quel port RJ45 du switch.
2. Définissez l'adresse IP Ethernet (ou de connexion locale) du PC sur 192.168.0.x ("x" est une valeur comprise entre 1 et 253) et le masque de sous-réseau sur 255.255.255.0, de sorte qu'il se trouve dans le même segment de réseau avec l'adresse IP du switch. Si DHCP est utilisé, cette étape peut être ignorée.
3. Tapez l'adresse IP de gestion par défaut du switch `http://<gwn7800_IP>` dans le navigateur, puis entrez le nom d'utilisateur et le mot de passe pour vous connecter (le nom d'utilisateur par défaut de l'administrateur est "admin" et le mot de passe aléatoire par défaut se trouve sur l'autocollant du switch GWN7800).



Méthode 2 : connexion à l'aide de l'interface du port de la console

1. Utilisez le câble de console pour connecter le port de console du switch et le port série du PC.
2. Ouvrez le programme d'émulation de terminal du PC (par exemple SecureCRT), entrez le nom d'utilisateur et le mot de passe par défaut pour vous connecter. (Le nom d'utilisateur par défaut de l'administrateur est "admin" et le mot de passe aléatoire par défaut se trouve sur l'autocollant du switch GWN7800).

Méthode 3 : Connexion à distance à l'aide de SSH/Telnet

1. Activez le Telnet du switch.
2. Entrez "cmd" dans PC/Démarrer.
3. Entrez "telnet <gwn7800_IP>" dans la fenêtre cmd
4. Entrez le nom d'utilisateur et le mot de passe par défaut pour vous connecter (le nom d'utilisateur par défaut de l'administrateur est "admin" et le mot de passe aléatoire par défaut se trouve sur l'autocollant du switch GWN7800).

Méthode 4 : Configurer à l'aide de GWN.Cloud/GWN Manager

Tapez `https://www.gwn.cloud` dans le navigateur, puis entrez le compte et le mot de passe pour vous connecter à la plateforme cloud. Si vous n'avez pas de compte, veuillez d'abord vous inscrire ou demander à l'administrateur de vous en attribuer un.

Les termes de la licence GNU GPL sont incorporés dans le micrologiciel périphérique et sont accessibles via l'interface utilisateur Web du périphérique à l'adresse `http(s)://IP/gpl_license`. Pour obtenir un CD contenant les informations du code source GPL, veuillez envoyer une demande écrite à `info@grandstream.com`

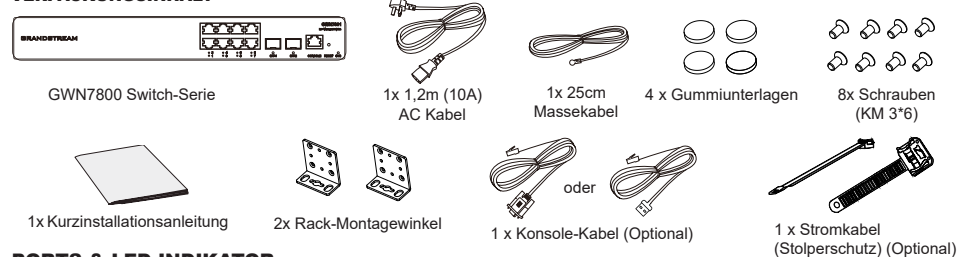
Pour plus de détails, veuillez consulter le manuel d'utilisation sur :
<https://www.grandstream.com/our-products>

Die GWN7800-Serie sind Managed Layer 2+ Netzwerk-Switches, mit denen kleine und mittlere Unternehmen skalierbare, sichere, leistungsstarke und intelligente Unternehmensnetzwerke aufbauen können, die vollständig verwaltbar sind. Die Switches unterstützen erweitertes VLAN für eine flexible und intelligente Segmentierung, erweitertes QoS für die automatische Erkennung und Priorisierung von latenz-sensiblen Sprach-/Videodaten, IGMP-Snooping für die Optimierung der Netzwerkleistung und umfassende Sicherheitsfunktionen gegen potenzielle Angriffe. Die PoE-Modelle bieten einen intelligenten und dynamischen PoE-Ausgang zur Stromversorgung von IP-Telefonen, IP-Kameras, Wi-Fi-Access Points und anderen PoE-Endgeräten. Die GWN7800-Serie kann auf verschiedene Arten verwaltet werden, darunter der lokale Netzwerk-Kontroller, der in den Switch der GWN7800-Serie eingebettet ist, sowie jeder Router der GWN7000-Serie mit integrierten, lokalen Master. Ferner können Switches über die kostenlose On-Premise-Netzwerkverwaltungssoftware von Grandstream (GWN Manager) sowie die Grandstream Cloud-Netzwerkverwaltungsplattform (GWN.Cloud) administriert werden. Die GWN7800-Serie sind preisgünstige Managed Netzwerk-Switches der Enterprise-Klasse für kleine bis mittlere Unternehmen.

SICHERHEITSHINWEISE

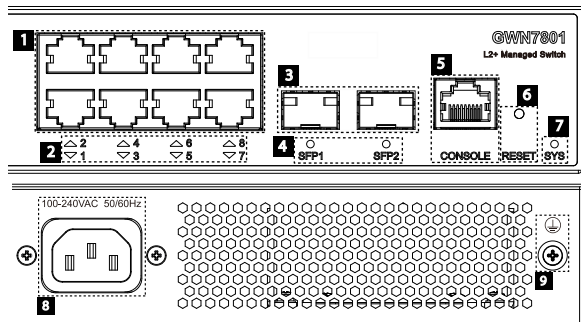
- Das Produkt darf nicht geöffnet, zerlegt oder verändert werden.
- Bitte beachten Sie die zulässigen Temperaturbereiche für Nutzung (0°C bis 45 °C) und Lagerung (-10 °C bis 60 °C).
- Das Produkt darf nur in Umgebungen mit einem relativen Luftfeuchtebereichs von 10% bis 90% (nicht kondensierend) genutzt werden.
- Die Stromversorgung darf während des Start- bzw. Upgradevorgangs nicht unterbrochen werden. Dies kann die Firmware beschädigen und zu unerwünschten Fehlfunktionen führen

VERPACKUNGSGEHALT



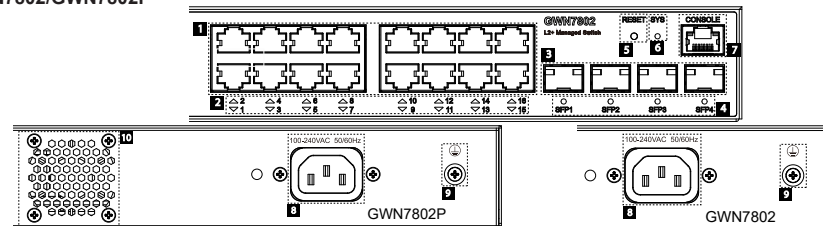
PORTS & LED INDIKATOR

GWN7801/GWN7801P



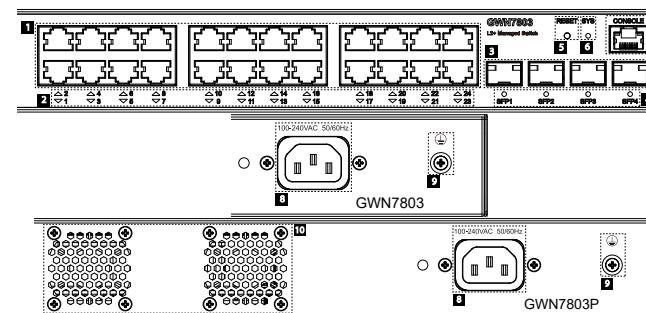
Nr.	Port & LED	Beschreibung
1	Port 1-8	8x Ethernet RJ45 (10/100/1000Mbps), für den Anschluß von Endgeräten. Hinweis: GWN7801P Ethernet Ports unterstützen PoE und PoE+.
2	1-8	LED Indikatoren der Ethernet Ports
3	Port SFP1/2	2x 1000MBit/s SFP Ports
4	SFP 1/2	LED Indikatoren der SFP Ports
5	CONSOLE	1 x Console Port zum Anschluss des verwaltenden PC's
6	RESET	Werkseinstellungen zurücksetzen. 5 Sekunden lang drücken, um die Werkseinstellungen zurückzusetzen.
7	SYS	System LED Indikator
8	100-240VAC 50-60Hz	Stromanschluß
9	⏚	9 Blitzschutz Erdungsanschluss

GWN7802/GWN7802P



Nr.	Port & LED	Beschreibung
1	Port 1-16	16x Ethernet RJ45 (10/100/1000Mbps), für den Anschluß von Endgeräten. Hinweis: GWN7802P Ethernet Ports unterstützen PoE und PoE+.
2	1-16	LED Indikatoren der Ethernet Ports
3	Port SFP1/2/3/4	4x 1000MBit/s SFP Ports
4	SFP 1/2/3/4	LED Indikatoren der SFP Ports
5	RESET	Werkseinstellungen zurücksetzen. 5 Sekunden lang drücken, um die Werkseinstellungen zurückzusetzen.
6	SYS	System LED Indikator
7	CONSOLE	1 x Console Port zum Anschluss des verwaltenden PC's
8	100-240VAC 50-60Hz	Stromanschluß
9	⏚	Blitzschutz Erdungsanschluss
10	Lüfter	1x Lüfter

GWN7803/GWN7803P



Nr.	Port & LED	Beschreibung
1	Port 1-24	24x Ethernet RJ45 (10/100/1000Mbps), für den Anschluß von Endgeräten. Hinweis: GWN7803P Ethernet Ports unterstützen PoE und PoE+.
2	1-24	LED Indikatoren der Ethernet Ports
3	Port SFP1/2/3/4	4x 1000MBit/s SFP Ports
4	SFP 1/2/3/4	LED Indikatoren der SFP Ports
5	RESET	Werkseinstellungen zurücksetzen. 5 Sekunden lang drücken, um die Werkseinstellungen zurückzusetzen.
6	SYS	System LED Indikator
7	CONSOLE	1 x Console Port zum Anschluss des verwaltenden PC's
8	100-240VAC 50-60Hz	Stromanschluß
9	⏚	Blitzschutz Erdungsanschluss
10	Lüfter	2x Lüfter

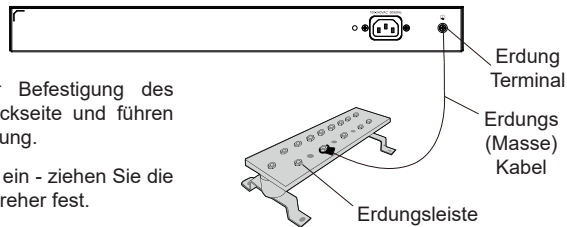
LED Indikator

LED Indikator	Status	Beschreibung
System Indikator	Off	Power off
	Permanent grün	Starten
	Grün blinkend	Upgrade
	Permanent blau	Normale Nutzung
	Blau blinkend	Provisionierung
	Permanent Rot	Upgrade fehlgeschlagen
	Rot blinkend	Auf Werkseinstellung zurücksetzen
Port Indikator	Off	Für alle Ports, Ports aus & Für SFP Ports, Port-Fehlfunktion
	Permanent grün	Der Port ist verbunden, ohne Aktivität
	Grün blinkend	Der Port ist verbunden, Datenübertragung ist aktiv
	Permanent gelb	Ethernetport verbunden, Stromversorgung via PoE
	Gelb blinkend	Ethernetport verbunden, Stromversorgung via PoE, Datenübertragung aktiv
	Alternativ grün und gelb blinkend	Fehlfunktion am Ethernetport

STROMVERSORGUNG & ANBINDUNG

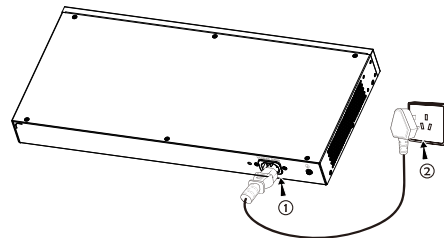
Erdung des Switches

- Lösen Sie die Schraube zur Befestigung des Massekabels an der Switch-Rückseite und führen Sie das Massekabel zur Befestigung.
- Drehen Sie die Schraube wieder ein - ziehen Sie die Schraube mit einem Schraubendreher fest.
- Befestigen Sie das andere Ende des Massekabels am allgemeinen Masseanschluss (Erdung) im Raum



Stromversorgung des Switches

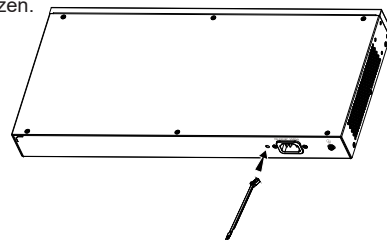
Schließen Sie zuerst das Netzkabel am Switch an, anschließend verbinden Sie das Netzkabel mit der Steckdose des Geräteraums.



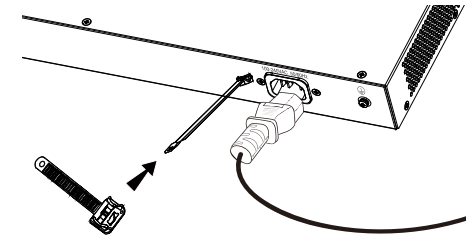
Stromversorgung mit Stolperschutz (Optional)

Um das Netzteil vor versehentlichen Trennen zu schützen, wird empfohlen, zur Installation ein Stromversorgungskabel mit Stolperschutz zu nutzen.

- Legen Sie die glatte Seite des Befestigungsbands in Richtung Steckdose und stecken Sie es in das seitliche Loch.



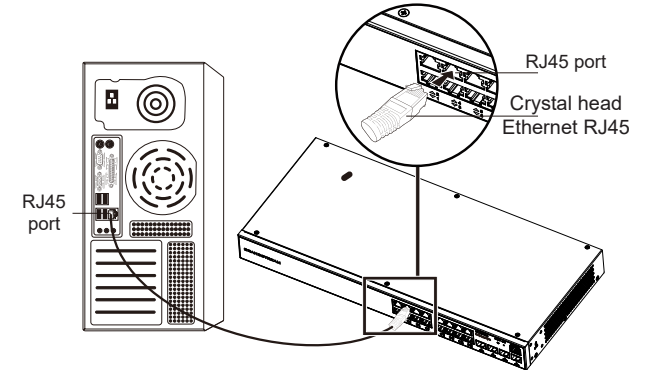
- Nachdem Sie das Netzkabel in die Steckdose gesteckt haben, schieben Sie den Protektor über den verbleibenden Streifen, bis er über das Ende des Netzkabels gleitet.
- Wickeln Sie das Befestigungsband des Schutzkabels um das Netzkabel und befestigen Sie es.



PORT ANBINDUNG

Anbindung am RJ45 Port

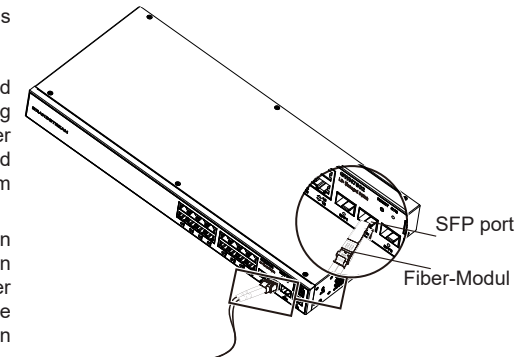
- Stecken Sie das Netzkabel in die Netzwerkbuchse am Switch, anschließend das andere Ende in die Netzwerkbuchse des Endgerätes
- Überprüfen Sie nach dem Einschalten den Status des Port-Indikators. Ist dieser aktiv, dann ist die Anbindung normal verbunden ; Ist dieser inaktiv, dann ist die Verbindung getrennt. Bitte überprüfen Sie das Kabel des angeschlossenen Geräts, ob es eingeschaltet ist.



Anbindung am SFP Port

Bitte folgen Sie diesen Installationsschritten:

- Nehmen Sie das Glasfasermodul an der Seite und führen Sie es langsam entlang des SFP-Port-Steckplatzes des Switches ein bis das Modul engen Kontakt mit dem Switch hat.
- Beachten Sie beim Anschließen die Rx- und Tx-Ports des SFP-Glasfasermoduls richtig zuzuordnen. Stecken Sie ein Ende der Faser entsprechend in die Rx- und Tx-Ports und verbinden Sie das andere Ende mit einem anderen Gerät.
- Überprüfen Sie nach dem Einschalten den Status des Port-Indikators. Ist dieser aktiv, dann ist die Anbindung normal verbunden ; Ist dieser inaktiv, dann ist die Verbindung getrennt. Bitte überprüfen Sie das Kabel des angeschlossenen Geräts, ob es eingeschaltet ist.

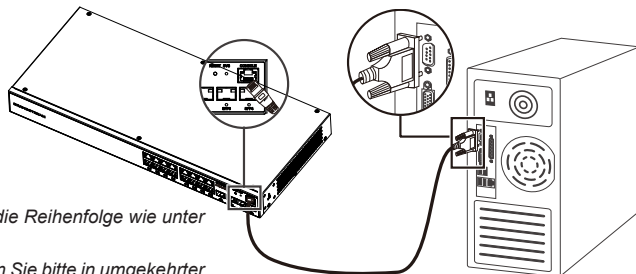


Bemerkung:

- Bitte wählen Sie das Lichtwellenleiterkabel entsprechend dem Modultyp aus. Das Multimode-Modul entspricht der optischen Multimode-Faser, und das Singlemode-Modul entspricht der optischen Singlemode-Faser
- Bitte wählen Sie für die Verbindung ein Glasfaserkabel mit der gleichen Wellenlänge.
- Bitte wählen Sie ein geeignetes optisches Modul entsprechend der tatsächlichen Netzwerksituation aus, um unterschiedliche Anforderungen an die Übertragungsentfernung zu erfüllen.
- Ein Klasse-1 Laserprodukt ist schädlich für die Augen. Blicken Sie nicht direkt auf den Glasfaseranschluss.

Anbindung über den Konsole-Port

1. Verbinden Sie das Konsole-Kabel mit dem DB9 Stecker und den USB Port am PC.
2. Verbinden Sie das andere Ende des Konsole-Kabels mit dem Konsole-Port am Switch.



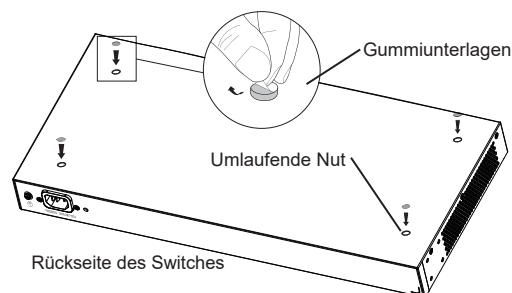
Hinweis:

- Zur Anbindung beachten Sie bitte die Reihenfolge wie unter 1 und 2 erwähnt vor.
- Zum beenden der Anbindung gehen Sie bitte in umgekehrter Reihenfolge vor.

INSTALLATION

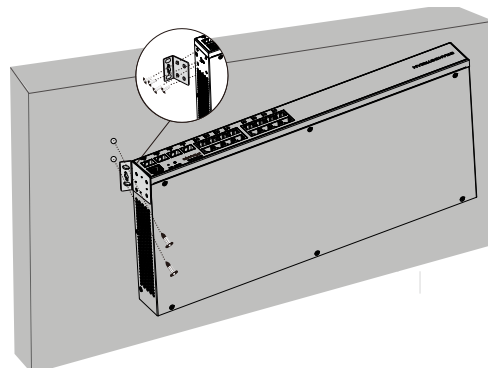
Installation am Desktop

1. Stellen Sie den Switch auf einen ausreichend großen und stabilen Tisch.
2. Ziehen Sie das Schutzpapier der vier GummifüÙe ab und kleben Sie diese in die entsprechenden kreisförmigen Rillen an den vier Ecken der Unterseite des Gehäuses.
3. Drehen Sie den Switch um und legen Sie ihn auf den Tisch.



Wandmontage

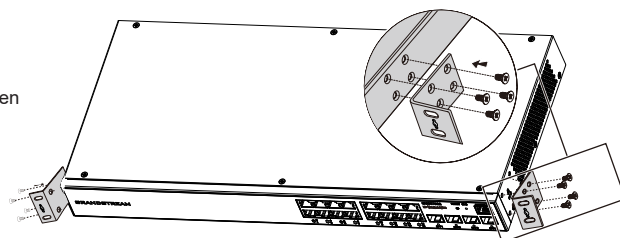
1. Verwenden Sie die passenden Schrauben (M 3x6), um die beiden L-förmigen Rackmount-Kits (um 90° gedreht) auf beiden Seiten des Switches zu befestigen.
2. Halten Sie den Switch horizontal an die ausgewählte Wand, markieren Sie die Position der Schraubenlöcher. Bohren Sie dann an der markierten Stelle mit einem Schlagbohrer ein Loch, anschließend stecken Sie die Dübel (nicht im Lieferumfang enthalten) in die Bohrlöcher.
3. Befestigen Sie den Switch mit Schrauben (nicht im Lieferumfang enthalten) mit den Montagewinkeln.



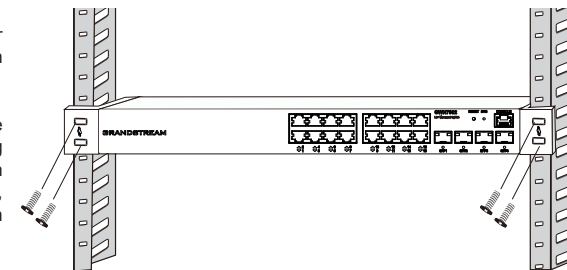
Im 19" Schrank installieren

Hinweis: 19" Schrank Montage wird unterstützt von: GWN7802/ GWN7802P/GWN7803/GWN7803P

1. Stellen Sie sicher, dass der Geräteschrank sicher steht
2. Installieren Sie die beiden L-förmigen Gerätehalterungen im Zubehör auf beiden Seiten des Switches und befestigen Sie diese mit den mitgelieferten Schrauben (M 3x6).



3. Befestigen Sie den Switch an der gewünschten Stelle des Schrankes, nutzen Sie dazu die Montagewinkel.
4. Befestigen Sie die L-förmige Rack-Montage mit Schrauben (nicht im Lieferumfang enthalten) an den Führungsnuten an beiden Enden des Racks, um sicherzustellen, dass der Switch stabil und horizontal im Rack installiert ist.

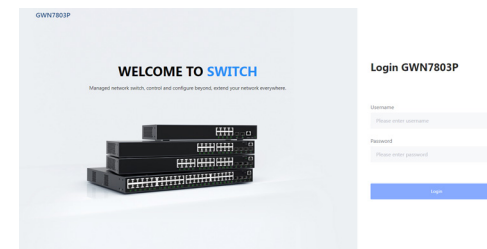


ZUGANG & KONFIGURATION

Hinweis: Ist kein DHCP-Server vorhanden, fällt die GWN7800 IP-Adresse 192.168.0.254 zurück.

Methode 1: Anmeldung über die Webschnittstelle

1. Der PC wird über ein Netzwerkkabel an den RJ45 Port des Switches angeschlossen.
2. Stellen Sie die Ethernet-IP-Adresse (oder lokale Verbindung) des PCs auf 192.168.0.x ("x" ist ein beliebiger Wert zwischen 1-253) und die Subnetzmaske auf 255.255.255.0 ein, sodass er sich im selben Netzwerksegment befindet mit Switch-IP-Adresse. Wenn DHCP verwendet wird, kann dieser Schritt übersprungen werden.
3. Geben Sie die standardmäßige Verwaltungs-IP-Adresse des Switches `http://<gwn7800_IP>` in den Browser ein und geben Sie den Benutzernamen und das Passwort ein, um sich anzumelden (der standardmäßige Administrator Benutzernamen ist „admin“ und das zufällige Standardpasswort finden Sie auf dem Aufkleber auf den GWN7800-Switch).



Methode 2: Anmeldung über die der Konsolenport

1. Nutzen Sie das Konsole Kabel, stecken Sie dieses an den seriellen Port des PC's und an den Console Port des Switches.
2. Öffnen Sie das Terminal-Emulationsprogramm des PCs (z. B. SecureCRT), geben Sie den Standardbenutzernamen und das Standardpasswort ein, um sich anzumelden. (Der standardmäßige Benutzername des Administrators lautet „admin“, und das zufällige Standardkennwort finden Sie auf dem Aufkleber auf den GWN7800-Switch).

Methode 3: Remote-Anmeldung via SSH/Telnet

1. Aktivieren Sie Telnet am Switch.
2. Geben Sie "cmd" am PC/Start ein.
3. Geben Sie "telnet <gwn7800_IP>" in das cmd Fenster ein.
4. Geben Sie den Standard-Benutzernamen und das Passwort ein, um sich anzumelden (Der Standard-Administrator-Benutzername ist „admin“ und das Standard-Zufallspasswort finden Sie auf dem Aufkleber auf den GWN7800-Switch).

Methode 4: Konfiguration via GWN.Cloud / GWN Manager

Geben Sie <https://www.gwn.cloud> in den Browser ein und geben Sie das Konto und das Passwort ein, um sich bei der Cloud-Plattform anzumelden. Wenn Sie kein Konto haben, registrieren Sie sich bitte zuerst oder bitten Sie den Administrator, Ihnen eins zuzuweisen.

Die GNU GPL Lizenz ist in der Gerätesoftware hinterlegt und kann über die Web-Schnittstelle unter `my_device_ip/gpl_license` (Endgerät_ip/gpl_Lizenz aufgerufen werden. Die Lizenz ist ebenfalls abrufbar unter <http://www.grandstream.com/legal/open-source-software>. Um eine CD mit der Lizenz zu erhalten, senden Sie uns bitte eine Email an info@Grandstream.com

Das ausführliche Benutzerhandbuch kann geladen werden von:
<https://www.grandstream.com/our-products>

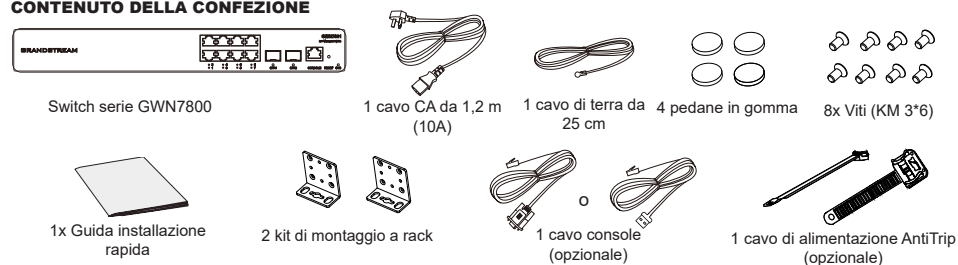
IT PANORAMICA

La serie GWN7800 è costituita da switch di rete gestiti Layer 2+ che consentono alle piccole e medie imprese di creare reti aziendali completamente gestibili scalabili, sicure, ad alte prestazioni e intelligenti. Supporta VLAN avanzate per una segmentazione del traffico flessibile e sofisticata, QoS avanzato per il rilevamento automatico e la prioritizzazione del traffico audio/video sensibile alla latenza, Snooping IGMP per l'ottimizzazione delle prestazioni di rete e funzionalità di sicurezza complete contro potenziali attacchi. I modelli PoE forniscono un'uscita PoE dinamica e intelligente per alimentare telefoni IP, telecamere IP, punti di accesso Wi-Fi e altri endpoint PoE. La serie GWN7800 può essere gestita in diversi modi, tra cui il controller di rete locale incorporato nello switch della serie GWN7800, qualsiasi router della serie GWN7000 con master locale integrato, il software di gestione della rete on-premise gratuito di Grandstream (GWN Manager) e la piattaforma di gestione della rete cloud di Grandstream (GWN.Cloud). La serie GWN7800 è il miglior switch di rete gestito di livello enterprise per le piccole e medie imprese.

PRECAUZIONI

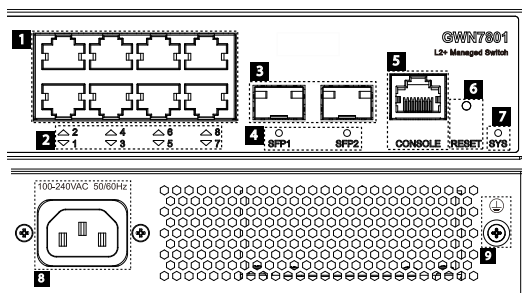
- Non tentare di aprire, smontare o modificare il dispositivo.
- Non esporre il dispositivo a temperature esterne alla gamma da 0 °C a 45 °C per il funzionamento e alla gamma da -10 °C a 60°C per la conservazione.
- Non esporre GWN7800 ad ambienti fuori dal seguente intervallo di umidità: 10-90% UR (senza condensa).
- Non spegnere/accendere il GWN7800 durante l'avvio del sistema o l'aggiornamento del firmware. Ciò potrebbe comportare il danneggiamento del firmware e il malfunzionamento dell'unità.

CONTENUTO DELLA CONFEZIONE



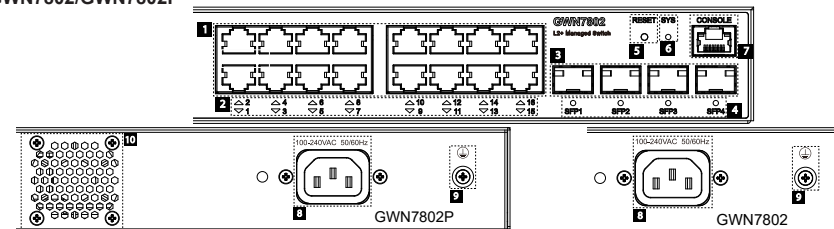
Indicatore PORTE e LED

GWN7801/GWN7801P



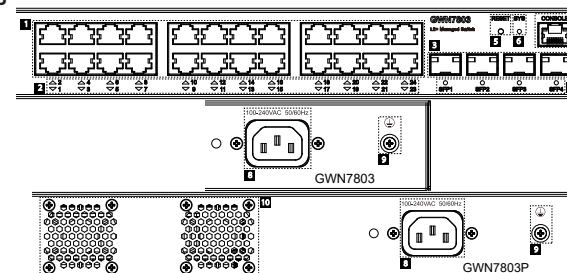
N°	Porta e LED	Descrizione
1	Porta 1-8	8 cavi Ethernet RJ45 (10/100/1000 Mbps), utilizzati per il collegamento dei terminali. Nota: Le porte Ethernet GWN7801P supportano PoE e PoE+.
2	1-8	Indicatori LED delle porte Ethernet
3	Porta SFP1/2	2 porte SFP da 1000 Mbps
4	SFP 1/2	SFP ports' LED indicators
5	CONSOLE	1 porta della console, utilizzata per il collegamento del PC di gestione
6	RESET	Pulsante di ripristino delle impostazioni di fabbrica Premere per 5 secondi per ripristinare le impostazioni predefinite di fabbrica
7	SYS	Indicatore LED di sistema
8	100-240VAC 50-60Hz	Presa di corrente
9		Palo di messa a terra per la protezione dai fulmini

GWN7802/GWN7802P



N°	Porta e LED	Descrizione
1	Porta 1-16	16 cavi Ethernet RJ45 (10/100/1000 Mbps), utilizzati per il collegamento dei terminali. Nota: Le porte Ethernet GWN7802P supportano PoE e PoE+.
2	1-16	Indicatori LED delle porte Ethernet
3	Porta SFP1/2/3/4	4 porte SFP da 1000 Mbps
4	SFP 1/2/3/4	SFP ports' LED indicators
5	RESET	Pulsante di ripristino delle impostazioni di fabbrica Premere per 5 secondi per ripristinare le impostazioni predefinite di fabbrica.
6	SYS	Indicatore LED di sistema
7	CONSOLE	1 porta della console, utilizzata per il collegamento del PC di gestione
8	100-240VAC 50-60Hz	Presa di corrente
9		Palo di messa a terra per la protezione dai fulmini
10	Ventola	1 Ventola

GWN7803/GWN7803P



N°	Porta e LED	Descrizione
1	Porta 1-24	24 cavi Ethernet RJ45 (10/100/1000 Mbps), utilizzati per il collegamento dei terminali. Nota: Le porte Ethernet GWN7803P supportano PoE e PoE+.
2	1-24	Indicatori LED delle porte Ethernet
3	Port SFP1/2/3/4	4 porte SFP da 1000 Mbps
4	SFP 1/2/3/4	SFP ports' LED indicators
5	RESET	Pulsante di ripristino delle impostazioni di fabbrica Premere per 5 secondi per ripristinare le impostazioni predefinite di fabbrica
6	SYS	Indicatore LED di sistema
7	CONSOLE	1 porta della console, utilizzata per il collegamento del PC di gestione
8	100-240VAC 50-60Hz	Presa di corrente
9		Palo di messa a terra per la protezione dai fulmini
10	Fan	2 Ventole

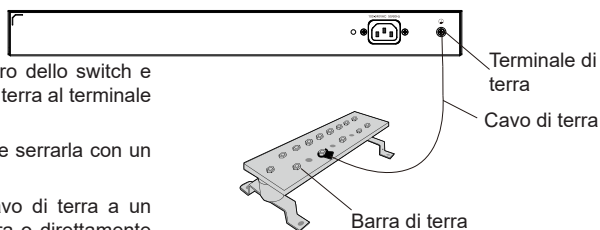
Indicatore LED

Indicatore LED	Stato	Descrizione
Indicatore di sistema	Spento	Spento
	Verde fisso	Avvio
	Verde intermittente	Aggiornamento
	Blu fisso	Funzionamento normale
	Blu intermittente	Provisioning
	Rosso fisso	Aggiornamento non riuscito
	Rosso intermittente	Ripristino impostazioni di fabbrica
Indicatore di porta	Spento	<ul style="list-style-type: none"> Per tutte le porte, porta spenta Per le porte SFP, guasto della porta
	Verde fisso	Porta connessa e nessuna attività
	Verde intermittente	Porta connessa e trasferimento di dati in corso
	Giallo fisso	Porta Ethernet collegata e alimentazione PoE
	Giallo intermittente	Porta Ethernet collegata, trasferimento dati in corso e alimentazione PoE
	Luce intermittente gialla e verde	Guasto della porta Ethernet

ALIMENTAZIONE E COLLEGAMENTO

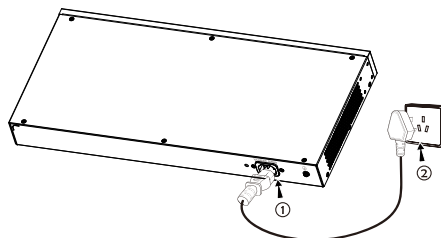
Messa a terra dello switch

1. Rimuovere la vite di terra dal retro dello switch e collegare un'estremità del cavo di terra al terminale di cablaggio dello switch.
2. Rimettere la vite di terra nel foro e serrarla con un cacciavite.
3. Collegare l'altra estremità del cavo di terra a un altro dispositivo con messa a terra o direttamente al terminale della barra di terra nella sala apparecchiature.



Accensione dello switch

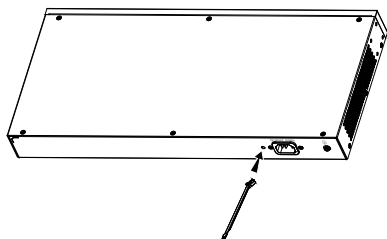
Collegare prima il cavo di alimentazione e lo switch, quindi collegare il cavo di alimentazione al sistema di alimentazione della sala apparecchiature.



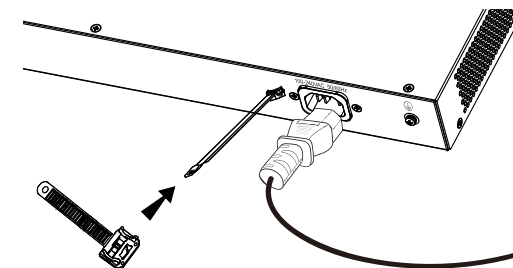
Collegamento del cavo di alimentazione Anti-Trip (opzionale)

Per proteggere l'alimentatore da scollegamenti accidentali, si consiglia di acquistare un cavo di alimentazione anti-trip per l'installazione.

1. Posizionare il lato liscio della fascetta di fissaggio verso la presa di corrente e inserirla nel foro laterale.



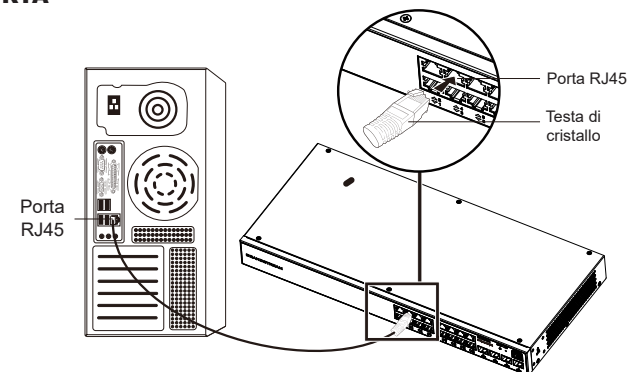
2. Dopo aver inserito il cavo di alimentazione nella presa di corrente, far scorrere la protezione sulla parte di fascetta rimanente fino a farla scivolare sull'estremità del cavo di alimentazione.
3. Avvolgere la fascetta del cavo di protezione intorno al cavo di alimentazione e bloccarla saldamente. Fissare le fascette fino a quando il cavo di alimentazione è ben saldo



COLLEGAMENTO DELLA PORTA

Collegarsi alla porta RJ45

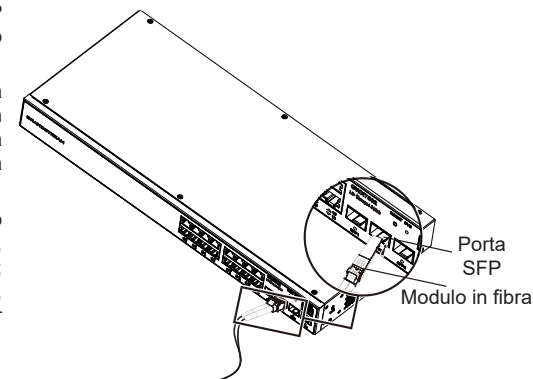
1. Collegare un'estremità del cavo di rete allo switch e l'altra al dispositivo peer.
2. Dopo l'accensione, verificare lo stato dell'indicatore della porta. Se è acceso, significa che il link è collegato normalmente; se è spento, significa che è scollegato, verificare che il cavo e il dispositivo peer siano abilitati.



Collegarsi alla porta SFP

Il processo di installazione del modulo in fibra è il seguente:

1. Afferrare il modulo in fibra dal lato e inserirlo senza problemi lungo lo slot della porta SFP dello switch finché il modulo non è a stretto contatto con lo switch.
2. Durante il collegamento, fare attenzione a confermare le porte Rx e Tx del modulo in fibra SFP. Inserire un'estremità della fibra nelle porte Rx e Tx e collegare l'altra estremità a un altro dispositivo.
3. Dopo l'accensione, verificare lo stato dell'indicatore della porta. Se è acceso, significa che il link è collegato normalmente; se è spento, significa che è scollegato, verificare che il cavo e il dispositivo peer siano abilitati.

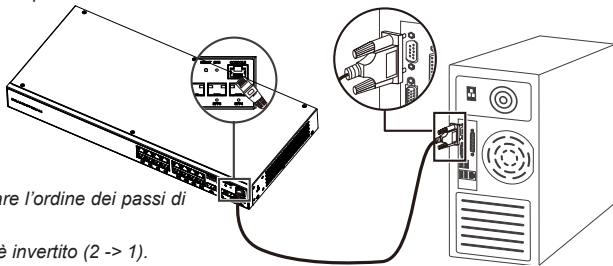


Notas:

- Selezionare il cavo in fibra ottica in base al tipo di modulo. Il modulo multimodale corrisponde alla fibra ottica multimodale e il modulo monomodale corrisponde alla fibra ottica monomodale.
- Per il collegamento, selezionare un cavo in fibra ottica della stessa lunghezza d'onda.
- Selezionare un modulo ottico appropriato in base all'effettiva situazione di rete per soddisfare i diversi requisiti di distanza di trasmissione.
- Il laser dei prodotti con luce laser di prima classe è dannoso per gli occhi. Non guardare direttamente il connettore della fibra ottica.

Collegarsi alla porta della console

1. Collegare il cavo console al connettore DB9 maschio o alla porta USB del PC.
2. Collegare l'altro capo RJ45 del cavo alla porta console dello switch.



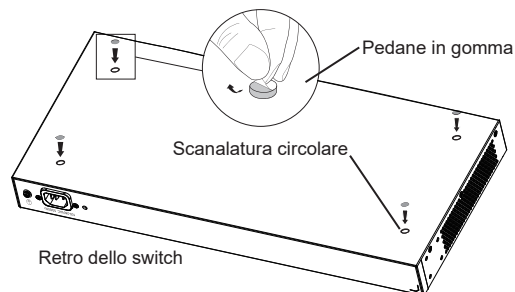
Note:

- Per connettersi, è necessario rispettare l'ordine dei passi di cui sopra (1 -> 2).
- Per disconnettersi, l'ordine dei passi è invertito (2 -> 1).

INSTALLAZIONE

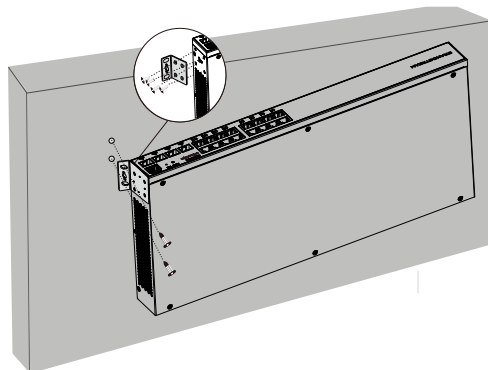
Installare sul piano di un tavolo

1. Posizionare la parte inferiore dello switch su un tavolo sufficientemente grande e stabile.
2. Staccare la carta protettiva in gomma dei quattro cuscinetti per i piedi uno per uno e inserirli nelle scanalature circolari corrispondenti ai quattro angoli della parte inferiore della custodia.
3. Capovolgere lo switch e posizionarlo sul tavolo evitando movimenti bruschi.



Installare sul muro

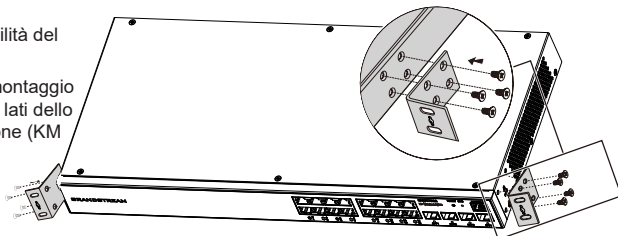
1. Utilizzare le viti corrispondenti (KM 3x6) per fissare i due kit di montaggio a rack a L (a un angolo di 90°) su entrambi i lati dello switch.
2. Fissare la porta dello switch in alto e in orizzontale sulla parete selezionata, segnando con un pennarello la posizione del foro per la vite sul kit di montaggio a rack a L. Quindi, praticare un foro nella posizione contrassegnata con un trapano a percussione e inserire le viti a espansione (non incluse) nel foro.
3. Utilizzare un cacciavite per stringere le viti (non incluse) che sono passate attraverso i kit di montaggio a rack a L per stringere le valvole di espansione a solenoide, in modo da garantire che lo switch sia saldamente installato sulla parete.



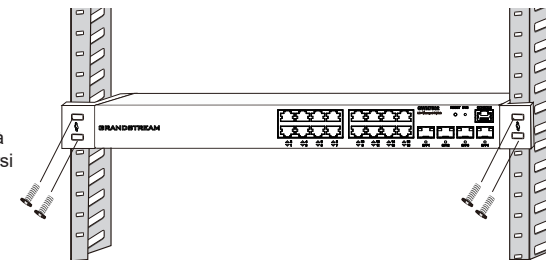
Installazione su un rack standard da 19"

Nota: GWN7802/GWN7802P/GWN7803/GWN7803P supportano il montaggio a rack.

1. Verificare la messa a terra e la stabilità del rack.
2. Installare i due supporti a L per il montaggio a rack negli accessori su entrambi i lati dello switch e fissarli con le viti in dotazione (KM 3x6).



3. Collocare lo switch in una posizione corretta nel rack e sostenerlo con la staffa.
4. Fissare il montaggio a rack a L alle scanalature di guida su entrambe le estremità del rack con le viti (non incluse) per assicurarsi che lo switch sia installato in modo stabile e orizzontale sul rack.

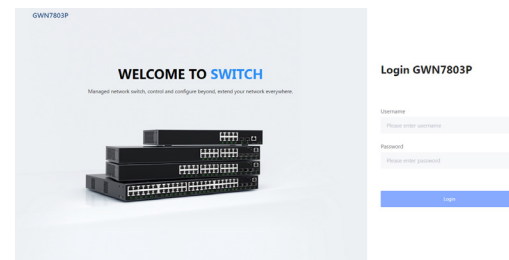


ACCESSO E CONFIGURAZIONE

Nota: Se non è disponibile alcun server DHCP, l'indirizzo IP predefinito di GWN7800 è 192.168.0.254.

Metodo 1: Accesso tramite l'interfaccia web

1. Un PC utilizza un cavo di rete per collegare correttamente qualsiasi porta RJ45 dello switch.
2. Impostare l'indirizzo IP Ethernet (o della connessione locale) del PC su 192.168.0.x ("x" è un valore qualsiasi compreso tra 1 e 253) e la subnet mask su 255.255.255.0, in modo che si trovi nello stesso segmento di rete con l'indirizzo IP dello switch. Se si utilizza DHCP, questo passo deve essere saltato.
3. Digitare l'indirizzo IP di gestione predefinito `http://<gwn7800_IP>` nel browser e inserire il nome utente e la password per accedere (il nome utente amministratore predefinito è "admin" e la password casuale predefinita si trova sull'adesivo sul retro dello switch GWN7800)



Metodo 2: Accesso tramite la porta console

1. Utilizzare il cavo della console per collegare la porta della console dello switch e la porta seriale del PC.
2. Aprire il programma di emulazione di terminale del PC (ad esempio SecureCRT), inserire il nome utente e la password predefiniti per accedere (il nome utente amministratore predefinito è "admin" e la password casuale predefinita può essere trovata sull'adesivo sul retro dello switch GWN7800).

Metodo 3: Accesso da remoto tramite SSH/Telnet

1. Attivare il Telnet dello switch.
2. Digitare "cmd" in PC/Start.
3. Immettere "telnet <gwn7800_IP>" nella finestra cmd.
4. Per accedere inserire il nome utente e la password predefiniti (il nome utente amministratore predefinito è "admin" e la password casuale predefinita si trova sull'adesivo sul retro dello switch GWN7800).

Metodo 4: Configurazione tramite GWN.Cloud/GWN Manager

Digitare `https://www.gwn.cloud` nel browser e inserire l'account e la password per accedere alla piattaforma cloud. Se non si dispone di un account, registrarsi prima o chiedere all'amministratore di assegnarne uno.

I termini della licenza GNU GPL sono incorporati nel firmware del dispositivo e sono accessibili tramite l'interfaccia utente Web del dispositivo a: `http(s)://IP/ gpl_license`. Per ottenere un CD con informazioni sul codice sorgente GPL, si prega di inviare una richiesta scritta a `info@grandstream.com`

Scaricare il manuale utente dettagliato da:
<https://www.grandstream.com/our-products>

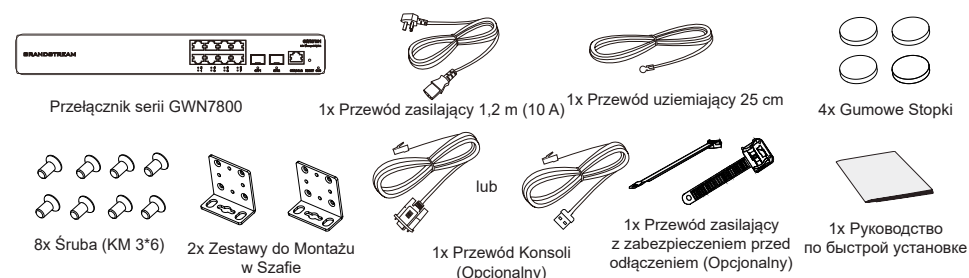
PL INFORMACJE OGÓLNE

Seria GWN7800 to zarządzane przełączniki sieciowe warstwy 2+, które umożliwiają małym i średnim przedsiębiorstwom tworzenie skalowalnych, bezpiecznych, wydajnych i inteligentnych sieci firmowych. Urządzenia te obsługują zaawansowane funkcje sieci VLAN, takie jak złożone dzielenie ruchu, zaawansowane usługi QoS umożliwiające automatyczne wykrywanie danych głosu/wideo wymagających niskich opóźnień i przydzielanie im wyższych priorytetów, podsłuchiwanie IGMP optymalizujące wydajność sieci, a także kompleksowe funkcje zabezpieczające przed potencjalnymi atakami. Dodatkowo modele PoE są wyposażone w inteligentne wyjście PoE służące do zasilania telefonów IP, kamer IP, punktów dostępu Wi-Fi oraz innych urządzeń końcowych PoE. Urządzeniami z serii GWN7800 można zarządzać na kilka sposobów. Można to robić między innymi przy użyciu lokalnego kontrolera sieciowego wbudowanego w sam przełącznik serii GWN7800, dowolnego routera serii GW7000 z wbudowanym lokalnym kontrolerem głównym, darmowego oprogramowania Grandstream do zarządzania sieciami lokalnymi (GWN Manager), a także platformy Grandstream do zarządzania sieciami w chmurze (GWN.Cloud). Seria GWN7800 oferuje najlepszy stosunek jakości do ceny w segmencie zarządzanych przełączników sieciowych dla małych i średnich przedsiębiorstw.

ŚRODKI OSTROŻNOŚCI

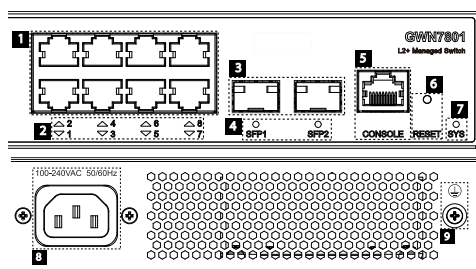
- Nie próbować otwierać, demontować lub modyfikować urządzenia.
- Urządzenia nie wystawiać na temperatury wychodzące poza zakres od 0°C do 45°C podczas działania oraz od -10°C do 60°C w trakcie przechowywania.
- Nie narażać urządzenia na oddziaływanie warunków spoza zakresu wilgotności względnej 10–90% (bez kondensacji).
- Nie wyłączać rutera GWN7800 podczas rozruchu systemu lub aktualizacji oprogramowania sprzętowego. W przeciwnym razie może dojść do uszkodzenia obrazów oprogramowania sprzętowego.

ZAWARTOŚĆ ZESTAWU



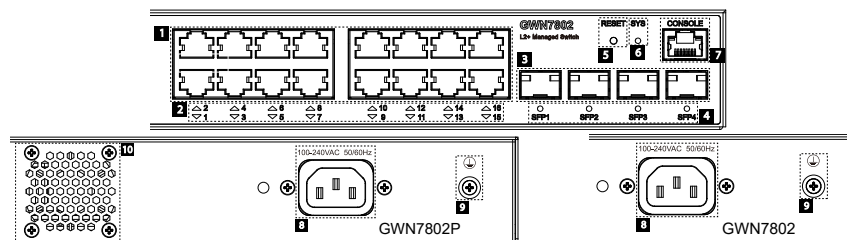
PORTY I WSKAŹNIKI LED

GWN7801/GWN7801P



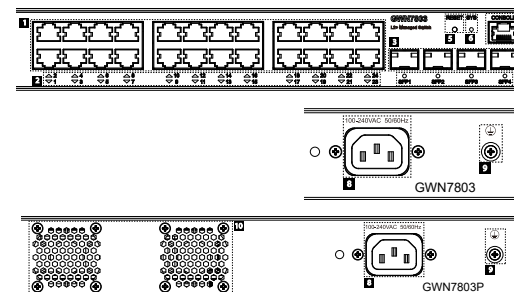
Nr	Port i Wskaźnik	Description
1	Port 1-8	8x portów Ethernet RJ45 (10/100/1000 Mb/s), używane do podłączenia terminali Uwaga: Porty Ethernet przełącznika GWN7801P obsługują technologię PoE i PoE+.
2	1-8	Wskaźniki LED portów Ethernet
3	Port SFP1/2	2x porty SFP 1000Mbps
4	SFP 1/2	Wskaźniki LED portów SFP
5	CONSOLE	1x port Console, używany do podłączenia komputera służącego do zarządzania
6	RESET	Przycisk przywracania ustawień fabrycznych. Naciśnij i przytrzymaj przez 5 sekund, aby przywrócić domyślne ustawienia fabryczne.
7	SYS	Wskaźniki LED systemu
8	100-240VAC 50-60Hz	Gniazdo zasilania
9		Styk ochronny przed wyładowaniami

GWN7802/GWN7802P



Nr	Port i Wskaźnik	Description
1	Port 1-16	16x portów Ethernet RJ45 (10/100/1000 Mb/s), używane do podłączenia terminali Uwaga: Porty Ethernet przełącznika GWN7802P obsługują technologię PoE i PoE+.
2	1-16	Wskaźniki LED portów Ethernet
3	Port SFP1/2/3/4	4x porty SFP 1000Mbps
4	SFP 1/2/3/4	Wskaźniki LED portów SFP
5	RESET	Przyciski przywracania ustawień fabrycznych. Naciśnij i przytrzymaj przez 5 sekund, aby przywrócić domyślne ustawienia fabryczne.
6	SYS	Wskaźniki LED systemu
7	CONSOLE	1x port Console, używany do podłączenia komputera służącego do zarządzania
8	100-240VAC 50-60Hz	Gniazdo zasilania
9		Styk ochronny przed wyładowaniami
10	Wentylator	1x Wentylator

GWN7803/GWN7803P



Nr	Port i Wskaźnik	Description
1	Port 1-24	24x portów Ethernet RJ45 (10/100/1000 Mb/s), używane do podłączenia terminali Uwaga: Porty Ethernet przełącznika GWN7803P obsługują technologię PoE i PoE+.
2	1-24	Wskaźniki LED portów Ethernet
3	Port SFP1/2/3/4	4x porty SFP 1000Mbps
4	SFP 1/2/3/4	Wskaźniki LED portów SFP
5	RESET	Przycisk przywracania ustawień fabrycznych. Naciśnij i przytrzymaj przez 5 sekund, aby przywrócić domyślne ustawienia fabryczne.
6	SYS	Wskaźniki LED systemu
7	CONSOLE	1x port Console, używany do podłączenia komputera służącego do zarządzania
8	100-240VAC 50-60Hz	Gniazdo zasilania
9		Styk ochronny przed wyładowaniami
10	Wentylator	2x wentylatory

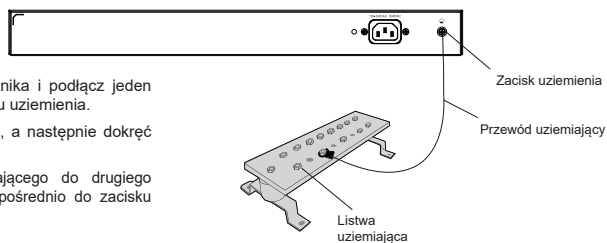
Wskaźnik LED

Wskaźnik LED	Stan	Opis
Wskaźnik systemu	Off	Urządzenie wyłączone
	Stałe zielone	Uruchamianie
	Migające zielone	Uaktualnianie
	Stałe niebieskie	Normalny tryb pracy
	Migające niebieskie	Konfigurowanie
	Stałe czerwone	Błąd uaktualniania
	Migające czerwone	Przywracanie ustawień fabrycznych
Wskaźnik portu	Off	<ul style="list-style-type: none"> W przypadku wszystkich portów: port wyłączony W przypadku portów SFP: błąd portu
	Stałe zielone	Port połączony i brak aktywności na porcie
	Migające zielone	Port połączony i trwa przesyłanie danych
	Stałe żółte	Port Ethernet połączony i aktywne zasilanie PoE
	Migające żółte	Port Ethernet połączony, trwa przesyłanie danych i aktywne zasilanie PoE
	Migające naprzemiennie żółte i zielone	Błąd portu Ethernet

WŁĄCZANIE I PODŁĄCZANIE

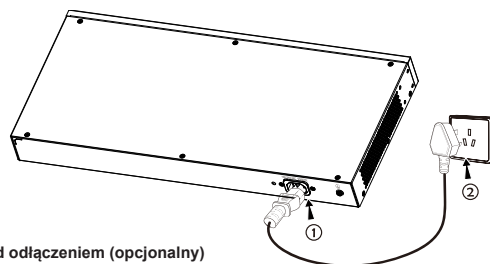
Podłączanie przełącznika do uziemienia

- Wykręć śrubę uziemienia z tyłu przełącznika i podłącz jeden koniec przewodu uziemiającego do zacisku uziemienia.
- Włóż śrubę uziemienia w otwór na śrubę, a następnie dokręć ją wkrętakiem.
- Podłącz drugi koniec przewodu uziemiającego do drugiego urządzenia, które jest uziemione, lub bezpośrednio do zacisku listwy uziemiającej w serwerowni.



Włączanie przełącznika

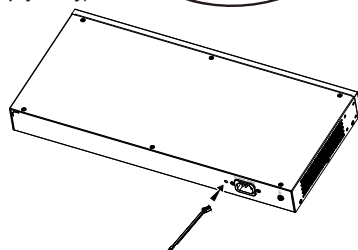
Podłącz przewód zasilający najpierw do przełącznika, a następnie podłącz wtyk na drugim końcu przewodu zasilającego do sieci zasilającej w serwerowni.



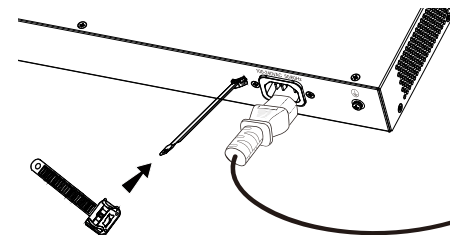
Podłączanie przewodu zasilającego z zabezpieczeniem przed odłączeniem (opcjonalny)

Aby zapobiec przypadkowemu odłączeniu zasilania od przełącznika, zaleca się zakupienie opcjonalnego przewodu zasilającego z zabezpieczeniem przed odłączeniem.

- Umieść pasek mocujący gładką stroną w stronę gniazda sieciowego i przelóż go przez otwór z boku gniazda.



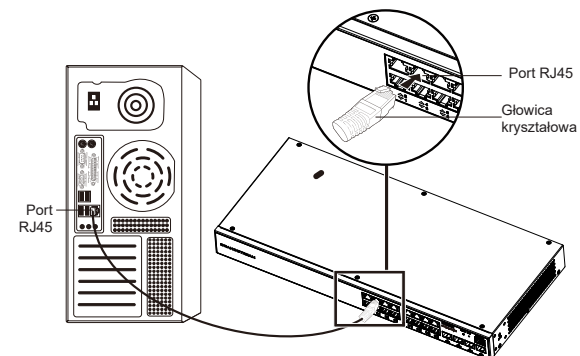
- Po podłączeniu przewodu zasilającego do gniazda sieciowego przesunij osłonę nad pozostałą częścią paska, tak by weszła nad koniec przewodu zasilającego.
- Owiń pasek przewodu ochronnego wokół przewodu zasilającego i zaciśnij go mocno. Zamocuj paski, aby zabezpieczyć przewód zasilający.



PODŁĄCZANIE PORTÓW

Podłączanie przewodów do portu RJ45

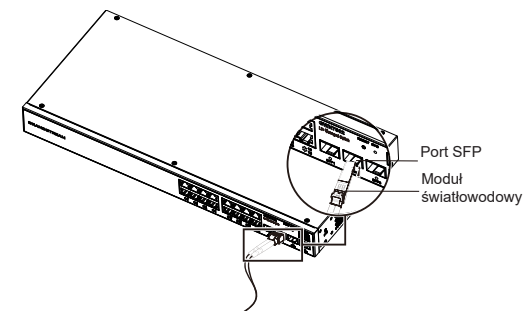
- Podłącz wtyk na jednym końcu przewodu sieciowego do przełącznika, a wtyk na drugim końcu do urządzenia równorzędne.
- Po włączeniu zasilania sprawdź stan wskaźnika portu. Jeżeli wskaźnik świeci, oznacza to, że połączenie działa prawidłowo. Gdy wskaźnik nie świeci, połączenie jest rozłączone. Sprawdź przewód i upewnij się, że urządzenie równorzędne jest włączone.



Podłączanie do portu SFP

Proces instalacji modułu światłowodowego jest następujący:

- Chwyć moduł światłowodowy po bokach i włóż go płynnym ruchem do portu SFP, aby podłączyć go do styków przełącznika.
- Podłączając światłowód, zwróć uwagę na położenie portów Rx i Tx modułu światłowodowego SFP. Podłącz jeden koniec światłowodu odpowiednio do portów Rx i Tx, a następnie drugi koniec do innego urządzenia.
- Po włączeniu zasilania sprawdź stan wskaźnika portu. Jeżeli wskaźnik świeci, oznacza to, że połączenie działa prawidłowo. Gdy wskaźnik nie świeci, połączenie jest rozłączone. Sprawdź przewód i upewnij się, że urządzenie równorzędne jest włączone.

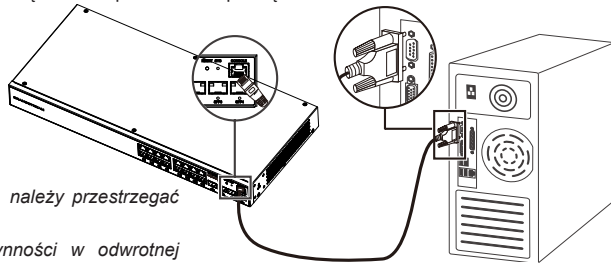


Uwaga:

- Przewód światłowodowy dobrać zgodnie z posiadanym typem modułu. W przypadku modułu wielomodowego można używać światłowodu wielomodowego, a w razie korzystania z modułu jednomodowego – światłowodu jednomodowego.
- Wykonując połączenia, używaj światłowodu obsługującego tę samą długość fal.
- Dobierz moduł światłowodowy stosownie do otoczenia sieciowego, tak aby obsługiwał wymaganą odległość transmisji.
- Wiązka laserowa produktów laserowych pierwszej klasy jest szkodliwa dla oczu. Nie patrz bezpośrednio w złącze światłowodu.

Podłączenie do portu konsoli

1. Podłącz kabel konsoli do męskiego złącza DB9 lub portu USB do komputera.
2. Podłącz koniec kabla zakończony wtyczką RJ45 do portu konsoli przełącznika.



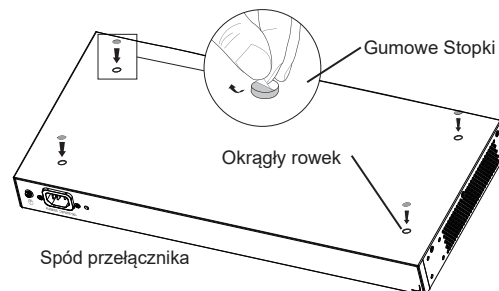
Uwaga:

- Aby uzyskać komunikację z konsolą, należy przestrzegać kolejności czynności (1 -> 2).
- Aby rozłączyć, należy wykonać czynności w odwrotnej kolejności (2 -> 1).

INSTALACJA

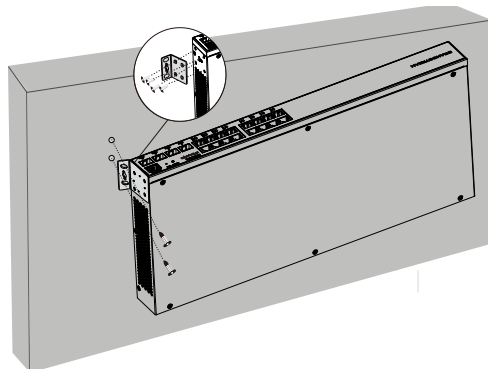
Instalacja na biurku

1. Umieść spód przełącznika na odpowiednio dużej i stabilnej powierzchni.
2. Odklej kolejno papier ochronny z czterech stopiek, a następnie przyklejaj je w odpowiednich okrągłych rowkach w czterech rogach spodu obudowy przełącznika.
3. Obróć przełącznik spodem do dołu i umieść na blacie.



Instalacja na ścianie

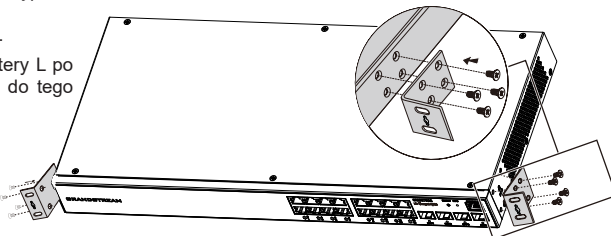
1. Używając śrub (KM 3x 6), zamocuj dwa wsporniki w kształcie litery L (obrócone o 90°) po obu stronach przełącznika.
2. Przyłóż przełącznik do ściany, ustawiając go poziomo i z portami skierowanymi do góry. Markerem lub ołówkiem zaznacz położenie otworów na śruby na wspornikach w kształcie litery L. Wywierć otwory w zaznaczonych miejscach wiertarką udarową, a następnie włóż kołki rozporowe (przygotowane we własnym zakresie) w wywiercone otwory.
3. Przyłóż przełącznik do ściany, a następnie przełóż śruby (przygotowane we własnym zakresie) przez otwory we wspornikach w kształcie litery L i włóż je w kołki rozporowe. Dokręć śruby wkrętakiem, aby rozprężyć kołki i zamocować przełącznik do ściany.



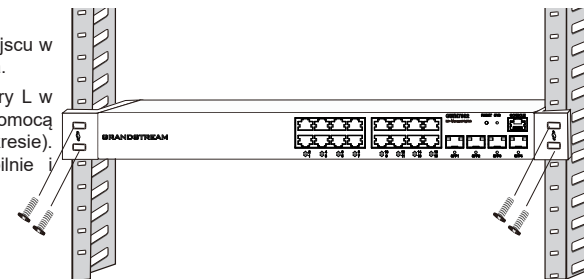
Instalacja w standardowej szafie 19"

Uwaga: Montaż w szafie jest możliwy w przypadku modeli GWN7802/GWN7802P/GWN7803/GWN7803P.

1. Sprawdź uziemienie i stabilność szafy.
2. Zamocuj dwa wsporniki w kształcie litery L po obu stronach przełącznika, używając do tego dostarczonych śrub (KM 3 x 6).



3. Umieść przełącznik w odpowiednim miejscu w szafie i zamocuj go, używając wspornika.
4. Zamocuj dwa wsporniki w kształcie litery L w rowkach po obu stronach szafy za pomocą śrub (przygotowanych we własnym zakresie). Dzięki temu przełącznik będzie stabilnie i poziomo zamocowany w szafie.

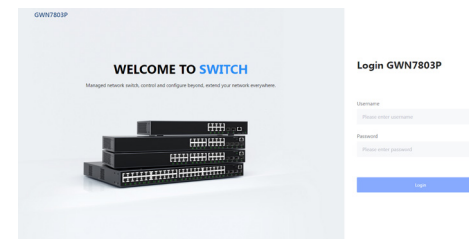


UZYSKIWANIE DOSTĘPU I KONFIGUROWANIE

Uwaga: Jeżeli żaden serwer DHCP nie jest dostępny, domyślnym adresem IP urządzenia GWN7800 jest 192.168.0.254.

Metoda 1: Logowanie za pomocą internetowego interfejsu

1. Podłącz komputer przewodem sieciowym do dowolnego portu RJ45 przełącznika.
2. Ustaw adres IP sieci Ethernet (lub połączenia lokalnego) na komputerze na 192.168.0.x (gdzie „x” jest dowolną wartością z zakresu 1–253), a maskę podsieci na 255.255.255.0. Dzięki temu komputer będzie w tym samym segmencie sieci, co przełącznik. Jeśli DHCP jest używany, ten krok można pominąć.
3. W pasku adresu przeglądarki wprowadź domyślny adres IP używany do zarządzania przełącznikiem, tj. http://<gwn7800_IP>. Po wyświetleniu monitu wprowadź nazwę użytkownika i hasło, aby się zalogować. (Domyślną nazwą użytkownika administratora jest „admin”, a domyślne losowe hasło można znaleźć na naklejce umieszczonej na obudowie przełącznika GWN7800.



Metoda 2: Logowanie za pośrednictwem portu konsoli

1. Podłącz przewód konsoli do portu konsoli przełącznika i portu szeregowego komputera.
2. Na komputerze otwórz program do emulacji terminala (np. SecureCRT), a następnie wprowadź nazwę użytkownika i hasło, aby się zalogować. (Domyślną nazwą użytkownika jest „admin”, a domyślne losowe hasło można znaleźć na naklejce na obudowie przełącznika GWN7800).

Metoda 3: Zdalne logowanie za pomocą klienta SSH/Telnet

1. Włącz usługę Telnet na przełączniku.
2. Na komputerze wybierz menu Start i wprowadź „cmd”.
3. W oknie wiersza polecenia wprowadź polecenie „telnet <gwn7800_IP>”.
4. Wprowadź domyślną nazwę użytkownika i hasło, aby się zalogować. (Domyślną nazwą użytkownika jest „admin”, a domyślne losowe hasło można znaleźć na naklejce na obudowie przełącznika GWN7800).

Metoda 4: Konfigurowanie za pomocą GWN.Cloud / GWN Manager

W pasku adresu przeglądarki wprowadź adres <https://www.gwn.cloud>, a następnie po wyświetleniu monitu wprowadź nazwę konta i hasło, aby się zalogować do platformy w chmurze. Jeżeli nie masz konta, najpierw się zarejestruj lub poproś administratora o przydzielenie konta.

Warunki licencji GNU GPL użyte są nieodłączną częścią oprogramowania systemowego urządzenia i można uzyskać do nich dostęp za pośrednictwem sieciowego interfejsu użytkownika urządzenia, wybierając opcję `my_device_ip/gpl_license`. Można do niej również uzyskać dostęp poprzez stronę: <https://www.grandstream.com/legal/> open-source-software Aby otrzymać płytę CD z informacjami dotyczącymi kodu źródłowego GPL, należy przesłać prośbę na piśmie na adres info@grandstream.com

Aby uzyskać szczegółową instrukcję, należy pobrać z: <https://www.grandstream.com/our-products>

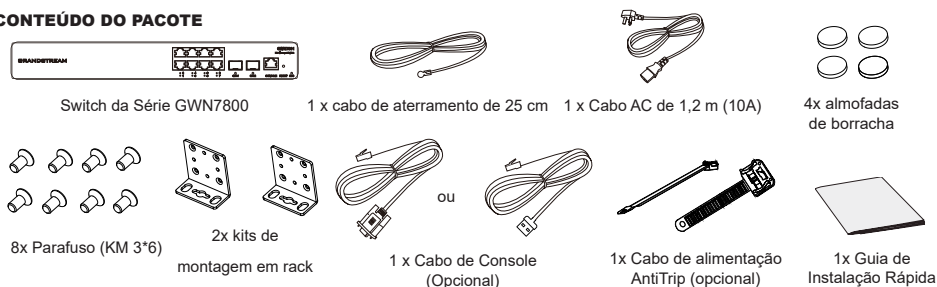
PT OVERVIEW

A série GWN7800 são switches de rede gerenciados de camada 2+ que permitem que pequenas e médias empresas criem redes escaláveis, seguras, de alto desempenho e inteligentes que são totalmente gerenciáveis. Ele suporta VLAN avançada para segmentação de tráfego flexível e sofisticada, QoS avançado para detecção automatizada e priorização de tráfego de voz/vídeo sensível à latência, IGMP Snooping para otimização de desempenho de rede e recursos de segurança abrangentes contra possíveis ataques. Os modelos PoE fornecem saída PoE dinâmica inteligente para alimentar telefones IP, câmeras IP, pontos de acesso Wi-Fi e outros terminais PoE. A série GWN7800 pode ser gerenciada de várias maneiras, incluindo o controlador de rede local embutido no switch da série GWN7800, qualquer roteador da série GWN7000 com mestre local integrado, o software de gerenciamento de rede local gratuito da Grandstream (GWN Manager), bem como o plataforma de gerenciamento de rede em nuvem (GWN.Cloud). A série GWN7800 são switches de rede gerenciados de nível empresarial de melhor valor para pequenas e médias empresas.

PRECAUÇÕES

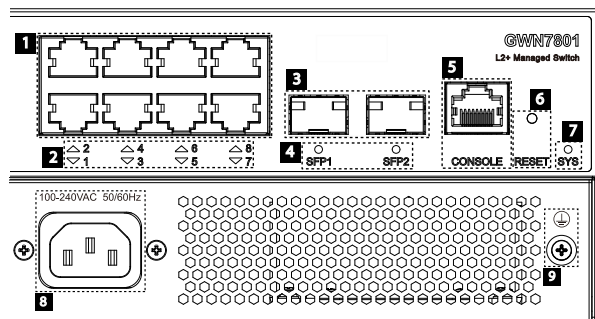
- Não tente abrir, desmontar, ou modificar o dispositivo.
- Não expor o dispositivo a temperaturas fora do intervalo dos 0 °C até os 45 °C em operação e o intervalo dos -10 °C até os 60 °C em armazenamento.
- Não exponha este dispositivo em ambientes com umidade fora do intervalo: 10-90% HR (sem condensação).
- Não desligue e ligue a energia do GWN7800 durante o reinício do sistema ou durante a atualização de firmware. Você pode corromper o firmware e causar a avaria do dispositivo.

CONTEÚDO DO PACOTE



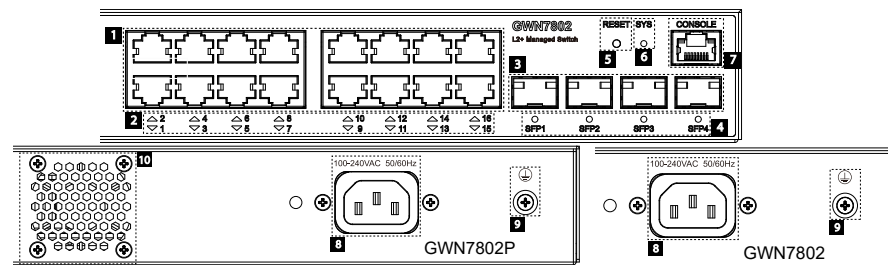
PORTAS & INDICATOR LED

GWN7801/GWN7801P



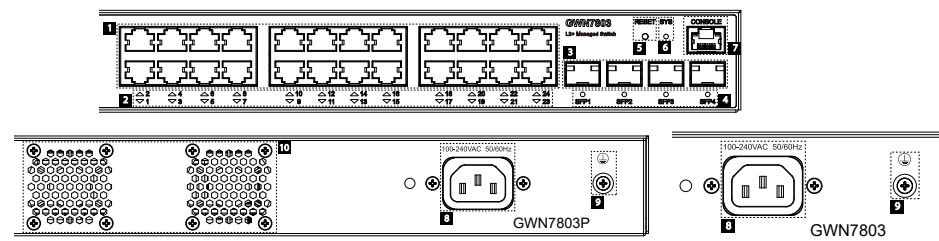
No.	Porta & LED	Descrição
1	Port 1-8	8x Portas Ethernet RJ45 (10/100/1000Mbps), usado para conectar terminais. Nota: As portas Ethernet GWN7801P suportam PoE e PoE+.
2	1-8	LEDs indicadores das portas Ethernet
3	Porta SFP1/2	2x portas SFP de 1000Mbps
4	SFP 1/2	Indicadores LED das portas SFP
5	CONSOLE	1x Porta de console, usada para conectar o PC de gerenciamento
6	RESET	Botão de redefinição de fábrica. Pressione por 5 segundos para redefinir as configurações padrão de fábrica
7	SYS	Indicador LED do sistema
8	100-240VAC 50-60Hz	Tomada de energia
9	⏚	Poste de aterramento de proteção de iluminação

GWN7802/GWN7802P



No.	Porta & LED	Descrição
1	Port 1-16	16x Portas Ethernet RJ45 (10/100/1000Mbps), usado para conectar terminais. Nota: As portas Ethernet GWN7802P suportam PoE e PoE+.
2	1-16	LEDs indicadores das portas Ethernet
3	Porta SFP1/2/3/4	4x portas SFP de 1000Mbps
4	SFP 1/2/3/4	Indicadores LED das portas SFP
5	RESET	Botão de redefinição de fábrica. Pressione por 5 segundos para redefinir as configurações padrão de fábrica
6	SYS	Indicador LED do sistema
7	CONSOLE	1x Porta de console, usada para conectar o PC de gerenciamento
8	100-240VAC 50-60Hz	Tomada de energia
9	⏚	Poste de aterramento de proteção de iluminação
10	Ventoinha	1x Ventoinha

GWN7803/GWN7803P



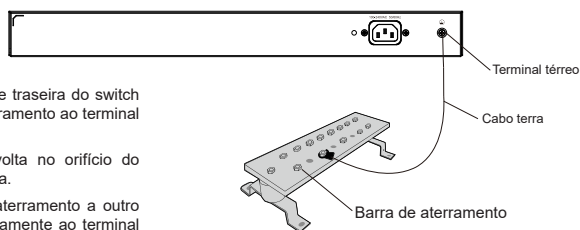
No.	Porta & LED	Descrição
1	Port 1-24	24x Portas Ethernet RJ45 (10/100/1000Mbps), usado para conectar terminais. Nota: As portas Ethernet GWN7803P suportam PoE e PoE+.
2	1-24	LEDs indicadores das portas Ethernet
3	Porta SFP1/2/3/4	4x portas SFP de 1000Mbps
4	SFP 1/2/3/4	Indicadores LED das portas SFP
5	RESET	Botão de redefinição de fábrica. Pressione por 5 segundos para redefinir as configurações padrão de fábrica
6	SYS	Indicador LED do sistema
7	CONSOLE	1x Porta de console, usada para conectar o PC de gerenciamento
8	100-240VAC 50-60Hz	Tomada de energia
9	⏚	Poste de aterramento de proteção de iluminação
10	Ventoinha	1x Ventoinhas

Indicador LED

Indicador LED	Status	Description
Indicador do sistema	Off	Desligar
	Verde sólido	Inicializando
	Verde piscando	Upgrade
	Azul sólido	Uso normal
	Azul piscando	Provisionamento
	Vermelho sólido	Falha na atualização
	Vermelho piscando	Restauração de fábrica
Indicador de porta	Off	<ul style="list-style-type: none"> Para todas as portas, porta desligada Para portas SFP, falha de porta
	Verde sólido	Porta conectada e não há atividade
	Verde piscando	Porta conectada e os dados estão sendo transferidos
	Amarelo sólido	Porta Ethernet conectada e alimentada por PoE
	Amarelo piscando	Porta Ethernet conectada, os dados estão sendo transferidos e alimentados por PoE
	Piscando alternadamente em amarelo e verde	Falha na porta Ethernet

ALIMENTAÇÃO E CONEXÃO

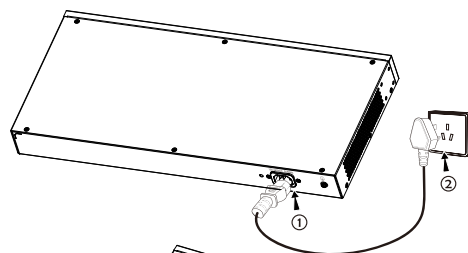
Aterramento do Switch



1. Remova o parafuso de aterramento da parte traseira do switch e conecte uma extremidade do cabo de aterramento ao terminal de fiação do switch.
2. Coloque o parafuso de aterramento de volta no orifício do parafuso e aperte-o com uma chave de fenda.
3. Conecte a outra extremidade do cabo de aterramento a outro dispositivo que tenha sido aterrado ou diretamente ao terminal da barra de aterramento na sala de equipamentos.

Ligando o Switch

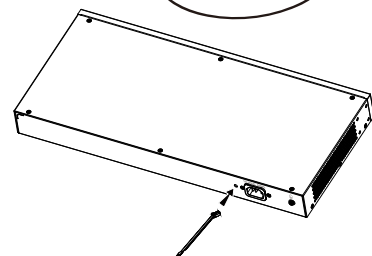
Conecte primeiro o cabo de alimentação e o switch, depois conecte o cabo de alimentação ao sistema de alimentação da sala de equipamentos.



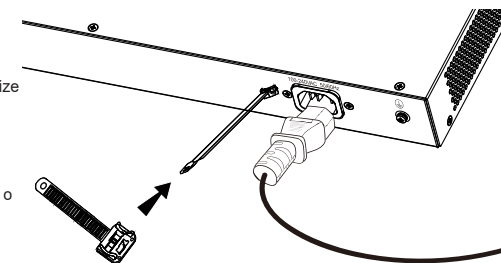
Conectando o cabo de alimentação Anti-Trip (opcional)

Para proteger a fonte de alimentação contra desconexão acidental, é recomendável adquirir um cabo de alimentação anti-trip para instalação.

1. Coloque o lado liso da alça de fixação em direção à tomada e insira-o no orifício na lateral da mesma.



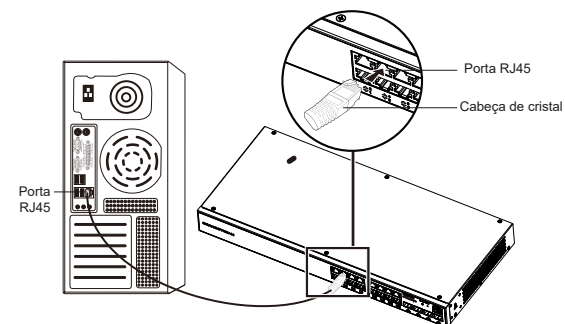
2. Depois de conectar o cabo de alimentação na tomada, deslize o protetor sobre a tira restante até que ele deslize sobre a extremidade do cabo de alimentação.
3. Enrole a tira do cabo de proteção ao redor do cabo de alimentação e prenda-o firmemente. Aperte as tiras até que o cabo de alimentação esteja bem preso.



CONEXÃO DA PORTA

Conecte à porta RJ45

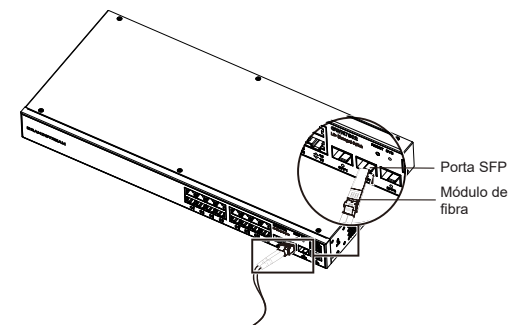
1. Conecte uma extremidade do cabo de rede ao switch e a outra extremidade ao dispositivo a ser conectado.
2. Depois de ligado, verifique o status do indicador de porta. Se estiver ligado, significa que o link está conectado normalmente; se estiver desligado, significa que o link está desconectado, verifique se o cabo e o dispositivo conectado estão habilitados.



Conexão à porta SFP

O processo de instalação do módulo de fibra é o seguinte:

1. Segure o módulo de fibra pela lateral e insira-o suavemente ao longo do slot da porta SFP do switch até que o módulo esteja em contato próximo com o switch.
2. Ao conectar, preste atenção para confirmar as portas Rx e Tx do módulo de fibra SFP. Insira uma extremidade da fibra nas portas Rx e Tx de forma correspondente e conecte a outra extremidade a outro dispositivo.
3. Depois de ligado, verifique o status do indicador de porta. Se estiver ligado, significa que o link está conectado normalmente; se estiver desligado, significa que o link está desconectado, verifique se o cabo e o dispositivo conectado estão habilitados.

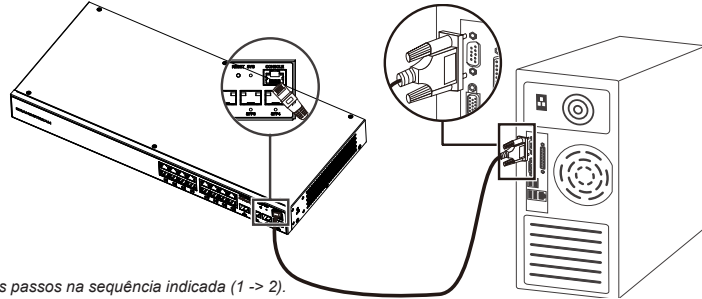


Nota:

- Selecione o cabo de fibra óptica de acordo com o tipo de módulo. O módulo multimodo corresponde à fibra óptica multimodo e o módulo monomodo corresponde à fibra óptica monomodo.
- Selecione o mesmo cabo de fibra óptica de comprimento de onda para conexão.
- Selecione um módulo óptico apropriado de acordo com a situação real da rede para atender a diferentes requisitos de distância de transmissão.
- O laser dos produtos a laser de primeira classe é prejudicial aos olhos. Não olhe diretamente para o conector de fibra óptica.

Conecte-se à porta do console

1. Conecte o cabo do console ao conector DB9 macho ou porta USB ao PC.
2. Conecte a outra extremidade do cabo do console (conector RJ45) à porta do console do switch.



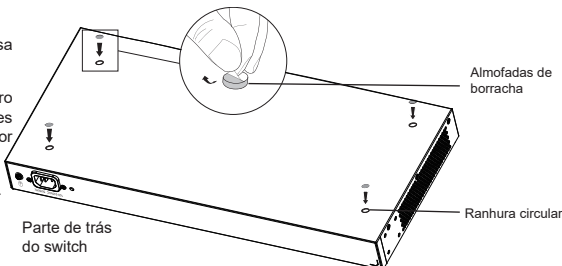
Observações:

- Para realizar a conexão, siga os passos na sequência indicada (1 -> 2). Respeite a sequência indicada.
- Para realizar a desconexão, a ordem dos passos é inversa (2 -> 1).

INSTALAÇÃO

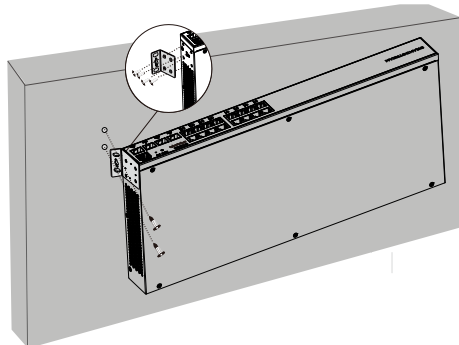
Instalação no Escritório

1. Coloque a parte inferior do interruptor em uma mesa suficientemente grande e estável.
2. Retire o papel protetor de borracha dos quatro pés, um por um, e cole-os nas ranhuras circulares correspondentes nos quatro cantos da parte inferior do dispositivo.
3. Vire o switch e coloque-o suavemente sobre a mesa.



Instalação na parede

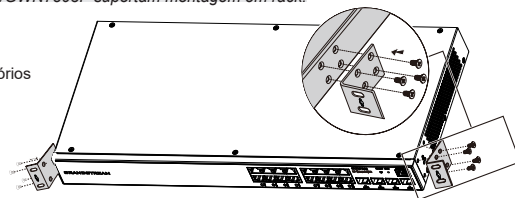
1. Use os parafusos correspondentes (KM 3*6) para fixar os dois kits de montagem em rack em forma de L (girados 90°) em ambos os lados do switch.
2. Cole a porta do switch para cima e horizontalmente na parede selecionada, marque a posição do orifício do parafuso nos kits de montagem em rack em forma de L com um marcador. Em seguida, faça um furo na posição marcada com uma furadeira de impacto e perfure os parafusos de expansão (preparados por você) no furo perfurado na parede.
3. Use uma chave de fenda para apertar os parafusos (preparados por você) que passaram pelos kits de montagem em rack em forma de L para apertar os solenoides de expansão para garantir que o switch esteja firmemente instalado na parede.



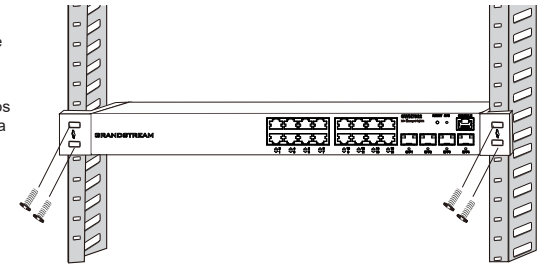
Instalação em um rack padrão de 19"

Observação: Os modelos GWN7802/GWN7802P/GWN7803/GWN7803P suportam montagem em rack.

1. Verifique o aterramento e a estabilidade do rack.
2. Instale os dois suportes de rack em forma de L nos acessórios em ambos os lados do switch e fixe-os com os parafusos fornecidos (KM 3*6).



3. Coloque o switch em uma posição adequada no rack e apoie-o pelo suporte.
4. Fixe a montagem do rack em forma de L nas ranhuras guia em ambas as extremidades do rack com parafusos (preparados por você) para garantir que o switch esteja instalado de forma estável e horizontal no rack.

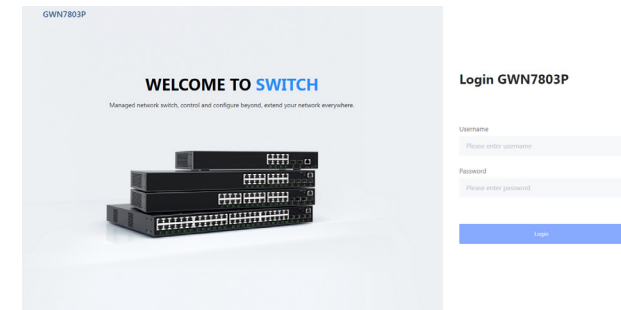


ACESSO E CONFIGURAÇÃO

Observação: Se não há disponível um servidor DHCP, o endereço IP padrão do GWN7800 é 192.168.0.254.

Método 1: faça login usando a interface do usuário da Web

1. Um PC usa um cabo de rede para conectar corretamente qualquer porta RJ45 do switch.
2. Defina o endereço IP Ethernet (ou conexão local) do PC para 192.168.0.x ("x" é qualquer valor entre 1-253) e a máscara de subrede para 255.255.255.0, para que esteja no mesmo segmento de rede com o endereço IP do switch. Se o DHCP for usado, esta configuração pode ser desconsiderada.
3. Digite o endereço IP de gerenciamento padrão do switch `http://<gwn7800_IP>` no navegador e digite o nome de usuário e a senha para fazer login (o nome de usuário padrão do administrador é "admin" e a senha aleatória padrão pode ser encontrada no adesivo no switch GWN7800).



Método 2: Faça login usando porta do console

1. Use o cabo do console para conectar a porta do console do switch e a porta serial do PC.
2. Abra o programa de emulação de terminal do PC (por exemplo, SecureCRT), digite o nome de usuário e senha padrão para fazer o login. (O nome de usuário padrão do administrador é "admin" e a senha aleatória padrão pode ser encontrada no adesivo no switch GWN7800).

Método 3: Faça login remotamente usando SSH/Telnet

1. Ligue o Telnet do switch.
2. Digite "cmd" no PC/Iniciar
3. Digite "telnet <gwn7800_IP>" na janela cmd.
4. Digite o nome de usuário e a senha padrão para fazer login (o nome de usuário padrão do administrador é "admin" e a senha aleatória padrão pode ser encontrada no adesivo no switch GWN7800).

Método 4: Configurar usando GWN.Cloud / GWN Manager

Digite <https://www.gwn.cloud> no navegador e insira a conta e a senha para fazer login na plataforma de nuvem. Se você não tiver uma conta, registre-se primeiro ou peça ao administrador para atribuir uma para você.

Os termos de licença GNU GPL estão dentro do firmware do dispositivo e você pode visualizar o documento através da interface web do dispositivo, em `my_device_ip/gpl_license`. Também, pode visualizar o documento através do site: <http://www.grandstream.com/legal/open-source-software>
Para obter um CD com a informação do código fonte GPL, por favor solicite-o através de info@grandstream.com

Para o manual do usuário detalhado, faça o download desde: <https://www.grandstream.com/our-products>

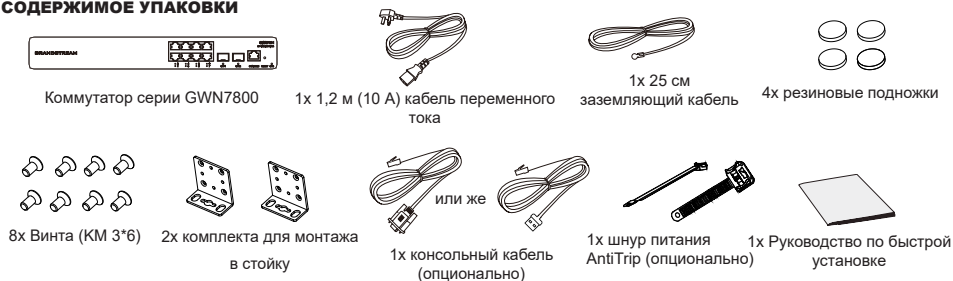
RU OVERVIEW

Серия GWN7800 — это управляемые сетевые коммутаторы уровня L2+, которые позволяют малым и средним предприятиям создавать полностью управляемые, масштабируемые, безопасные, высокопроизводительные и интеллектуальные сети. Коммутаторы поддерживают расширенные настройки VLAN для гибкой и сложной сегментации трафика, улучшенное качество обслуживания для автоматического обнаружения и приоритизации чувствительного к задержкам голосового и видеотрафика, отслеживание IGMP трафика для оптимизации производительности сети и комплексные функции защиты от потенциальных атак. Модели PoE обеспечивают интеллектуальный динамический PoE для питания IP-телефонов, IP-камер, точек доступа Wi-Fi и других оконечных терминалов с поддержкой PoE. Серия GWN7800 может управляться несколькими способами, включая локальный сетевой контроллер встроенный в коммутатор серии GWN7800, любой маршрутизатор серии GWN7000 со встроенным локальным контроллером, бесплатное серверное программное обеспечение для управления сетью Grandstream (GWN Manager), а также облачная платформа управления сетью (GWN.Cloud). Серия GWN7800 — это управляемые сетевые коммутаторы корпоративного класса с лучшим соотношением цены и качества для малого и среднего бизнеса.

МЕРЫ ПРЕДОСТОРОЖНОСТИ

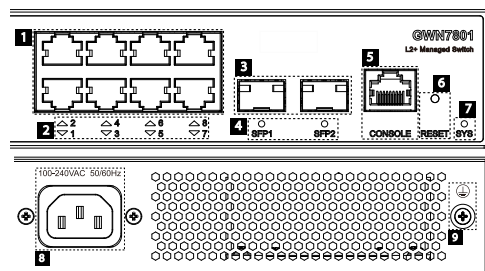
- Не пытайтесь открыть, разобрать или изменить устройство.
- Не подвергайте воздействию температуры вне диапазона от 0 °C до 45 °C при эксплуатации и от -10°C до 60°C при хранении.
- Не используйте данное устройство в среде, где значение влажности выходит за диапазон: Относит. влажность 10%-90% (без конденсации).
- Не включать-выключать устройство GWN7800 в процессе начального запуска системы или в процессе обновления прошивки. Вы можете тем самым повредить заводскую прошивку устройства и вывести его из строя.

СОДЕРЖИМОЕ УПАКОВКИ



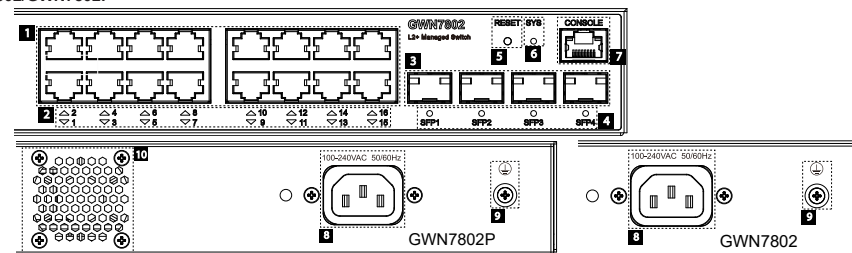
Порты и светодиодный индикатор

GWN7801/GWN7801P



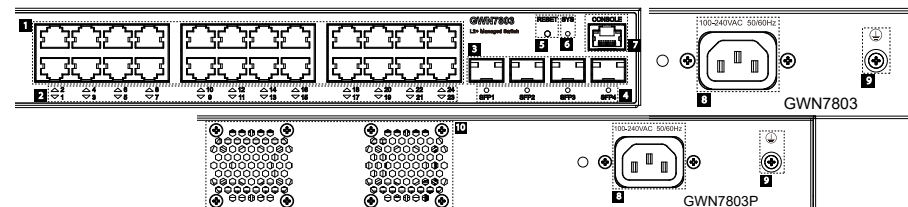
Нет.	Порт и светодиод	Описание
1	Порт 1-8	8x Ethernet RJ45 (10/100/1000 Мбит/с), используемые для подключения терминалов. Примечание: Ethernet-порты GWN7801P поддерживают PoE и PoE+.
2	1-8	Светодиодные индикаторы портов Ethernet
3	Порт SFP1/2	2 порта SFP 1000 Мбит/с
4	SFP 1/2	Светодиодные индикаторы портов SFP
5	CONSOLE	1x Консольный порт, используемый для подключения управляющего ПК
6	RESET	Кнопка сброса к заводским настройкам. Нажмите и удерживайте 5 секунд, чтобы сбросить заводские настройки по умолчанию.
7	SYS	Светодиодный индикатор системы
8	100-240VAC 50-60Hz	Розетка
9		Заземляющий столб молниезащиты

GWN7802/GWN7802P



Нет.	Порт и светодиод	Описание
1	Порт 1-16	16x Ethernet RJ45 (10/100/1000 Мбит/с), используемые для подключения терминалов. Примечание: Ethernet-порты GWN7802P поддерживают PoE и PoE+.
2	1-16	Светодиодные индикаторы портов Ethernet
3	Порт SFP1/2/3/4	4 порта SFP 1000 Мбит/с
4	SFP 1/2/3/4	Светодиодные индикаторы портов SFP
5	RESET	Кнопка сброса к заводским настройкам. Нажмите и удерживайте 5 секунд, чтобы сбросить заводские настройки по умолчанию.
6	SYS	Светодиодный индикатор системы
7	CONSOLE	1x Консольный порт, используемый для подключения управляющего ПК
8	100-240VAC 50-60Hz	Розетка
9		Заземляющий столб молниезащиты
10	Вентилятор	1x Вентилятор

GWN7803/GWN7803P



Нет.	Порт и светодиод	Описание
1	Порт 1-24	24x Ethernet RJ45 (10/100/1000 Мбит/с), используемые для подключения терминалов. Примечание: Ethernet-порты GWN7803P поддерживают PoE и PoE+.
2	1-24	Светодиодные индикаторы портов Ethernet
3	Порт SFP1/2/3/4	4 порта SFP 1000 Мбит/с
4	SFP 1/2/3/4	Светодиодные индикаторы портов SFP
5	RESET	Кнопка сброса к заводским настройкам. Нажмите и удерживайте 5 секунд, чтобы сбросить заводские настройки по умолчанию.
6	SYS	Светодиодный индикатор системы
7	CONSOLE	1x Консольный порт, используемый для подключения управляющего ПК
8	100-240VAC 50-60Hz	Розетка
9		Заземляющий столб молниезащиты
10	Вентилятор	2x Вентиляторы

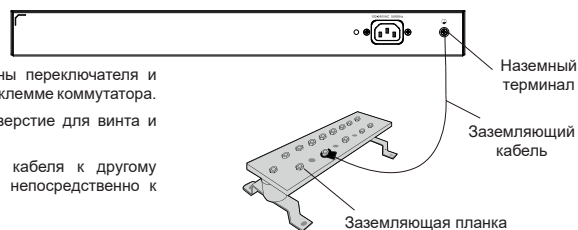
Светодиодный индикатор

Светодиодный индикатор	Статус	Описание
Системный индикатор	Выключенный	Выключение
	Постоянный зеленый	Загрузка
	Мигающий зеленый	Обновление
	Постоянный синий	Обычное использование
	Мигающий синий	Настройка
	Постоянный красный	Ошибка обновления
	Мигающий красный	Сброс к заводским настройкам
Индикатор порта	Выключенный	<ul style="list-style-type: none"> Для всех портов, порт выключен Для портов SFP, сбой порта
	Постоянный зеленый	Порт подключен и нет активности
	Мигающий зеленый	Порт подключен и данные передаются
	Постоянный желтый	Порт Ethernet подключен, питание по PoE
	Мигающий желтый	Порт Ethernet подключен, данные передаются, питание по PoE
	Поочередно мигает желтым и зеленым	Сбой порта Ethernet

ПИТАНИЕ И ПОДКЛЮЧЕНИЕ

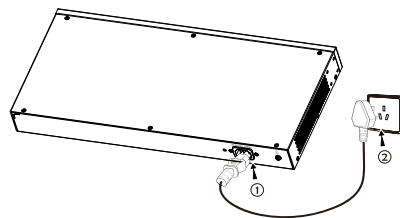
Заземление коммутатора

- Удалите винт заземления с задней стороны переключателя и подключите один конец кабеля заземления к клемме коммутатора.
- Вставьте заземляющий винт обратно в отверстие для винта и затяните его отверткой.
- Подключите другой конец заземляющего кабеля к другому устройству, которое было заземлено, или непосредственно к клемме шины заземления в аппаратной.



Включение коммутатора

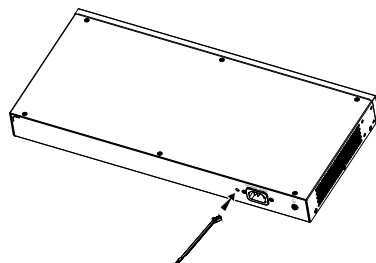
Сначала подключите кабель питания в коммутатор, затем подключите кабель питания к системе электропитания аппаратной.



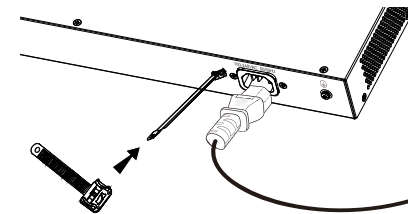
Подключение шнура питания с защитой Anti-Trip (дополнительно)

Для защиты блока питания от случайного отключения рекомендуется приобрести для установки шнур питания с защитой Anti-Trip.

- Поместите гладкую сторону фиксирующего ремня в сторону розетки и вставьте его в отверстие сбоку от нее.



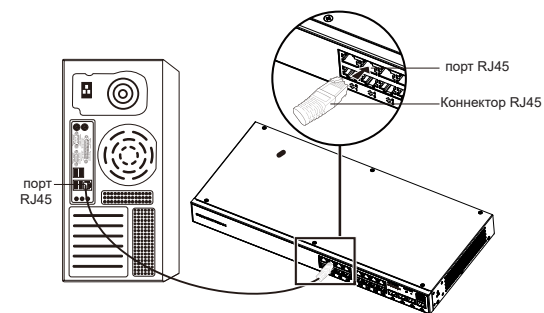
- Включив шнур питания в розетку, наденьте защитную накладку на оставшийся ремешок, пока он не скользянет по концу шнура питания.
- Оберните ремешок защитного шнура вокруг шнура питания и плотно зафиксируйте его. Застегивайте ремни, пока шнур питания не будет надежно закреплен.



ПОДКЛЮЧЕНИЕ ПОРТА

Подключиться к порту RJ45

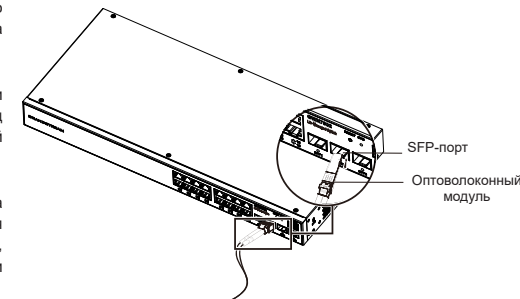
- Подключите один конец сетевого кабеля к коммутатору, а другой конец к терминальному устройству.
- После включения проверьте состояние индикатора порта. Если включено, это означает, что линия подключена нормально; если выключено, это означает, что связь отключена, проверьте, включены ли кабель и терминальное устройство.



Подключиться к порту SFP

Процесс установки оптоволоконного модуля выглядит следующим образом:

- Возьмите оптоволоконный модуль сбоку и плавно вставьте его вдоль слота порта SFP коммутатора, пока модуль не будет плотно вставлен в коммутатор.
- При подключении обратите внимание на порты Rx и Tx оптоволоконного модуля SFP. Вставьте один конец волокна в порты Rx и Tx соответственно, а другой конец подключите к другому устройству.
- После включения проверьте состояние индикатора порта. Если включено, это означает, что линия подключена нормально; если выключено, это означает, что связь отключена, проверьте, включены ли кабель и одноранговое устройство.

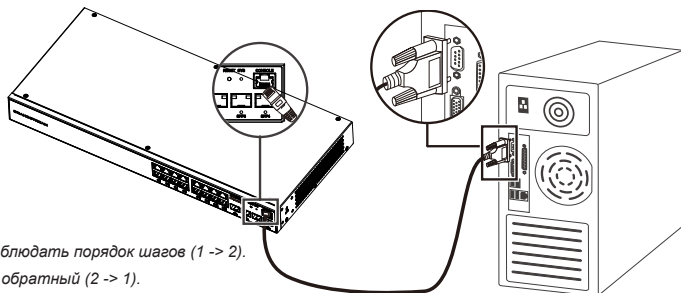


Примечание :

- Выберите оптоволоконный кабель в соответствии с типом модуля. Многомодовый модуль соответствует многомодовому оптическому волокну, а одномодовый модуль соответствует одномодовому оптическому волокну.
- Для подключения выберите оптоволоконный кабель с той же длиной волны.
- Пожалуйста, выберите соответствующий оптический модуль в соответствии с конфигурацией сети, чтобы соответствовать требованиям к дальности передачи.
- Лазер в лазерных изделиях вреден для глаз. Не смотрите прямо на оптоволоконный разъем.

Подключиться к консольному порту

1. Подсоедините консольный кабель к разъему DB9 или USB порту ПК.
2. Подключите другой конец RJ45 консольного кабеля к консольному порту коммутатора.



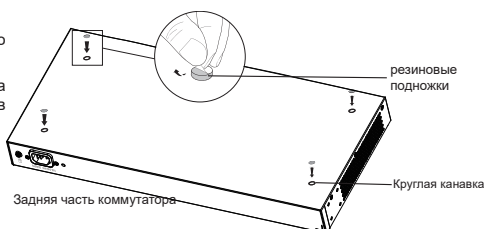
Примечание:

- Для подключения необходимо соблюдать порядок шагов (1 -> 2).
- Для отключения порядок шагов обратный (2 -> 1).

МОНТАЖ

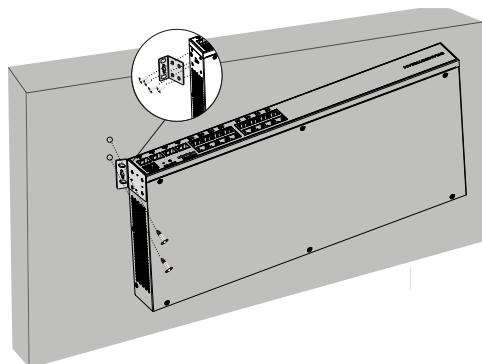
Установка на рабочем столе

1. Поместите нижнюю часть коммутатора на достаточно большой и устойчивый стол.
2. Снимите защитную бумагу с четырех подножек одну за другой и приклейте их в соответствующие круглые канавки в четырех углах нижней части корпуса.
3. Переверните коммутатор и плавно положите его на стол.



Установка на стене

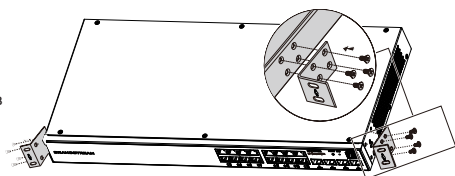
1. С помощью соответствующих винтов (КМ 3*6) закрепите два L-образных комплекта для монтажа в стойку (повернув на 90°) с обеих сторон коммутатора.
2. Направте порт коммутатора вверх и горизонтально на выбранную стену, отметьте положение отверстия для винта на Г-образных комплектах для монтажа в стойку маркером. Затем просверлите отверстие в отмеченном месте с помощью ударной дрели и установите дюбели (покупаются отдельно) в просверленном отверстии в стене.
3. Используйте отвертку, чтобы затянуть винты (покупаются отдельно), которые прошли через L-образные комплекты для монтажа в стойку, чтобы затянуть расширяющиеся дюбели, чтобы обеспечить надежную установку коммутатора на стене.



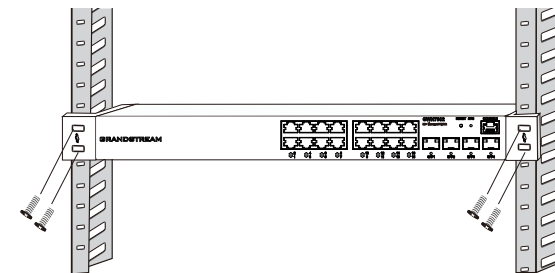
Установка в стандартную 19-дюймовую стойку

Примечание. GWN7802/GWN7802P/GWN7803/GWN7803P поддерживают монтаж в стойку.

1. Проверьте заземление и устойчивость стойки.
2. Установите две L-образные стойки с обеих сторон коммутатора и закрепите их с помощью прилагаемых винтов (КМ 3*6).



3. Поместите коммутатор в правильное положение в стойку и поддержите его скобой.
4. Закрепите L-образное крепление стойки к направляющим пазам на обоих концах стойки с помощью винтов (покупаются отдельно), чтобы обеспечить устойчивую и горизонтальную установку коммутатора на стойке.

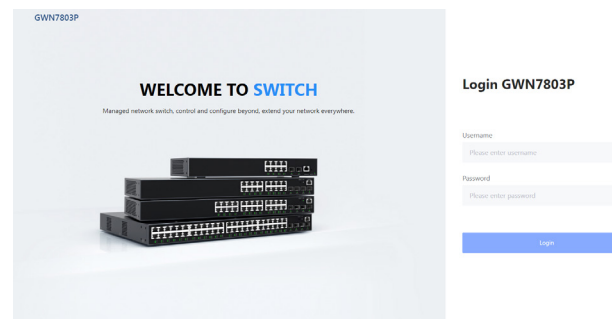


ДОСТУП И НАСТРОЙКА

Примечание. Если DHCP недоступен, IP-адрес gwn7800 по умолчанию будет 192.168.0.254.

Способ 1: вход через консольный порт

1. ПК использует сетевой кабель для подключения к любому порту RJ45 коммутатора.
2. Установите IP-адрес Ethernet ПК на 192.168.0.x («x» — любое значение от 1 до 253) и маску подсети на 255.255.255.0, чтобы он находился в том же сегменте сети, с IP-адресом коммутатора. Если используется DHCP, то этот шаг можно пропустить.
3. Введите IP-адрес управления коммутатора по умолчанию `http://<gwn7800_IP>` в браузере и введите имя пользователя и пароль для входа в систему (имя пользователя администратора по умолчанию — «admin», а случайный пароль по умолчанию можно найти на наклейке на коммутаторе GWN7800).



Способ 2: вход с помощью веб-интерфейса

1. Используйте консольный кабель для подключения консольного порта коммутатора к последовательному порту ПК.
2. Откройте программу эмуляции терминала ПК (например, SecureCRT), введите имя пользователя и пароль по умолчанию для входа. (Имя пользователя администратора по умолчанию — «admin», а случайный пароль по умолчанию можно найти на наклейке на коммутаторе GWN7800).

Способ 3: удаленный вход с использованием SSH/Telnet

1. Включите Telnet коммутатора.
2. Введите «cmd» в ПК/Пуск.
3. Введите «telnet <gwn7800_IP>» в окне cmd.
4. Введите имя пользователя и пароль по умолчанию для входа в систему (имя пользователя администратора по умолчанию — «admin», а случайный пароль по умолчанию можно найти на наклейке на коммутаторе GWN7800).

Способ 4: настроить с помощью GWN.Cloud / GWN Manager

Введите `https://www.gwn.cloud` в браузере и введите учетную запись и пароль для входа в облачную платформу. Если у вас нет учетной записи, сначала зарегистрируйтесь или попросите администратора назначить ее для вас.

Условия лицензии GNU GPL включены в прошивку устройства и доступны через веб-интерфейс пользователя устройства по адресу `my_device_ip/gpl_license`. Также можно получить доступ здесь: <https://www.grandstream.com/legal/open-source-software> Для получения компакт-диска с информацией об исходном коде GPL, пожалуйста, отправьте письменный запрос по адресу `info@grandstream.com`

Подробное руководство пользователя можно загрузить здесь:

<https://www.grandstream.com/our-products>

U.S. FCC Part 15 Regulatory Information

This device complies with part 15 of the FCC Rules. Operation is subject to the following two conditions:

- (1) this device may not cause harmful interference.
- (2) this device must accept any interference received, including interference that may cause undesired operation.

Any Changes or modifications not expressly approved by the party responsible for compliance could void the user's authority to operate the equipment.

Note: This equipment has been tested and found to comply with the limits for a Class A digital device, pursuant to part 15 of the FCC Rules. These limits are designed to provide reasonable protection against harmful interference when the equipment is operated in a commercial environment. This equipment generates, uses, and can radiate radio frequency energy and, if not installed and used in accordance with the instruction manual, may cause harmful interference to radio communications. Operation of this equipment in a residential area is likely to cause harmful interference in which case the user will be required to correct the interference at his own expense.

CAN ICES-003 (A)/NMB-003(A)

If trouble is experienced with this equipment, please contact (Agent in the US):

Company Name: Grandstream Networks, Inc.

Address: 126 Brookline Ave, 3rd Floor Boston, MA 02215, USA

Tel: 1-617-5669300

Fax: 1-617-2491987