

RJ45 CAT6/CAT6A STP SOLID/STRANDED 23AWG CONNECTOR

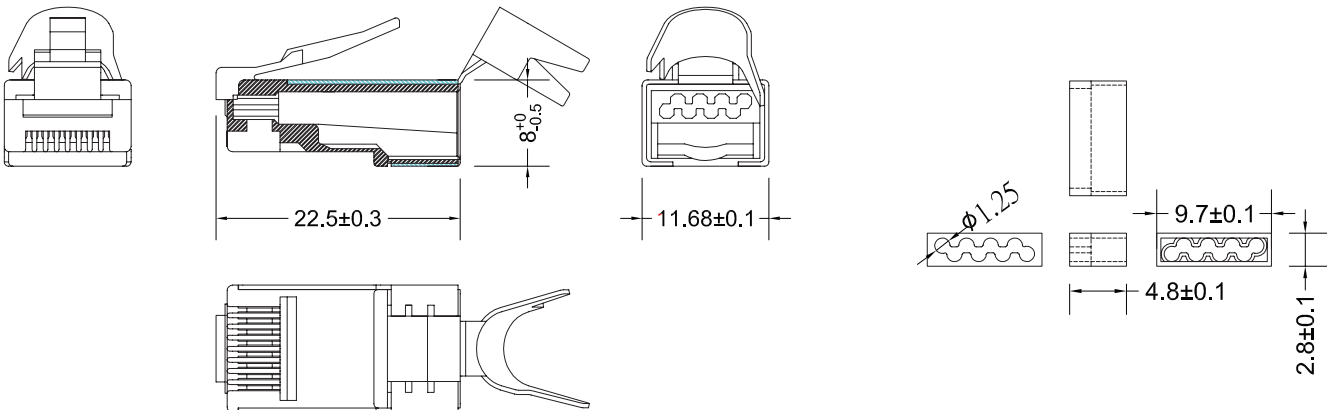
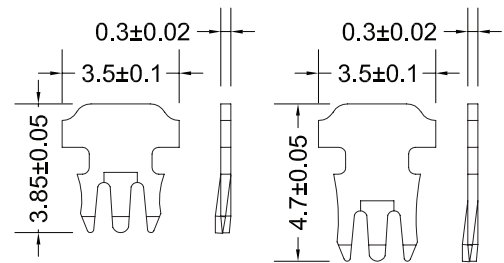
SKUS C6-453X

FEATURES

- Category 6/Category 6A Shielded RJ45 Connector Plug 8P8C 22.5 x 11.68 x 8 mm
- Use to terminate F/UTP or STP Cat6/Cat6A cable 23 - 24 AWG
- Detachable offset load bar, assisting with lining up wires before crimping
- Staggered crimp type when using load bar, or straight across crimp type without
- Non-pass through design
- Requires compatible RJ45 crimping tool
- Three-pronged gold contact pin is compatible with stranded or solid core copper cabling
- Brass, nickel plated shielding provides protection from Electromagnetic Interference and Radio Frequency Interference (EMI/RFI)
- 50 micro-inch gold plated contacts for superior transmission, high reliability and durability
- Compatible with pre-insert boots to protect the connector's latching tab (boots not included)



SIZE (WxDxH) 11.68 x 22.50 x 8 mm



SPECIFICATIONS

UL APPROVED | 3P THIRD PARTY TESTED | ROHS COMPLIANT

TOLERANCE X ± 1 | .X ± 0.2 | .XX ± 0.15

MATERIALS

HOUSING	Polycarbonate UL-94V0
SHIELD	Brass with nickel plating
GOLD PLATING	50 Micro-inches Gold Plated

© PC Cable World. All rights reserved.

PC Cable World product specifications are subject to change without notice, but are accurate at the time of printing. Please contact a sales representative for current specs. Please note that all physical specifications are nominal.

www.pccableworld.com