

RJ45 CAT6A SHIELDED 24-PORT PATCH PANEL (110 & KRONE)

SKUS C6A-4524S

FEATURES

- Shielded 1U 24-Port Loaded RJ45 Category 6A Patch Panel 19", with T568A/B colour coded wiring patterns
- Use 110 punch-down tool with provided keystones and IDC cap for terminating shielded 22-26 AWG Cat6A shielded cable
- Rack-mountable, fits within any standard 19" rack or cabinet
- Ideal for indoor networking installations in environments with high Electromagnetic Interference or Radio Frequency Interference (EMI/RFI)
- Labels on the front provide space for adding identification, with an additional port numbering system on the front and rear of the patch panel
- Gold plated contacts for superior transmission, high reliability and durability
- Meets EIA/TIA 568C, ISO/IEC 11801 standards, Third Party Tested, cETLus Intertek listed, and RoHS compliant
- Wire on rear of patch panel for grounding
- Mounting hardware not included with patch panel



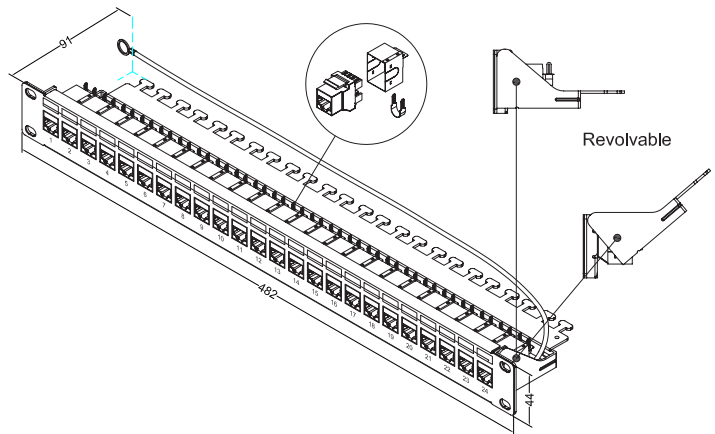
AVAILABLE COLOURS



SIZE (WxDxH) 482 x 91 x 44 mm

MATERIALS

| | |
|-------------------------|---|
| PANEL | Metal (SPCC) |
| CABLE MANAGEMENT | Metal (SPCC) |
| KEYSTONE BODY | Fireproof ABS UL-94V0 |
| METALLIC CASE | Metal |
| JACK | 8P8C 50 Micro-inches gold plated |
| PCB | FR-4 / UL-94V0 |
| IDC BODY | Fireproof ABS UL-94V0 |
| IDC PIN | Bronze & Tinned |
| IDC DESCRIPTION | For 22-26 AWG For 110 or Krone punch-down tool |



SPECIFICATIONS

| | | | |
|---|-------------------------------|-----------------------------|--------------------------|
| UL APPROVED 3P THIRD PARTY TESTED ROHS COMPLIANT | INSULATION RESISTANCE | 500M ohms (min.) | |
| MEETS C6A EIA/TIA 568C STANDARD CETLUS CERTIFIED | CONTACT RESISTANCE | 20m ohms (max.) | |
| IDC PUNCH DOWN CYCLE | Over 250 Cycles (min.) | CURRENT RATING | 1.5 Amps |
| JACK INSERTION CYCLE | Over 2000 Cycles (min.) | DC RESISTANCE | 0.1 ohms (max.) |
| OPERATION TEMPERATURE | -40 – +70 Degrees Celsius | WITHSTANDING VOLTAGE | 1000 VAC RMS @ 60Hz/1min |
| TOLERANCE | X ± 1 .X ± 0.2 .XX ± 0.15 | | |

© PC Cable World. All rights reserved.

PC Cable World product specifications are subject to change without notice, but are accurate at the time of printing. Please contact a sales representative for current specs. Please note that all physical specifications are nominal.

www.pccableworld.com