

SOLDER TYPE DB9 FEMALE

SKUS ST-809

FEATURES

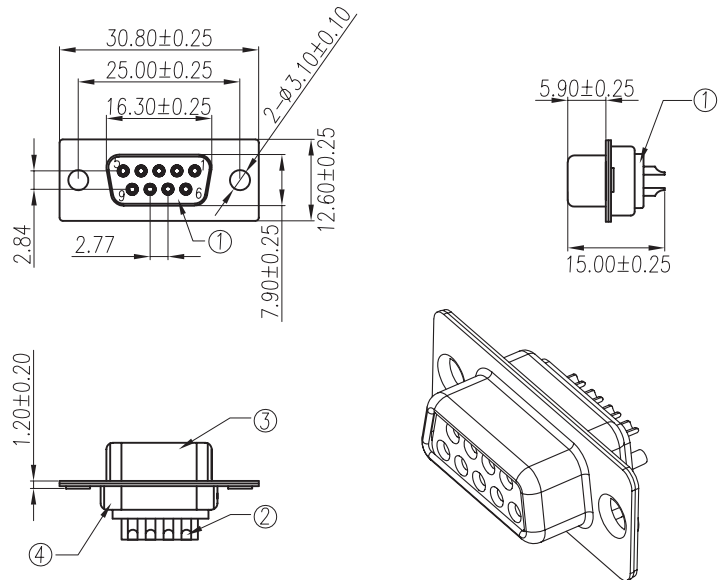
- DB9 Female Solder Cup Connector 30.80 x 15.00 x 12.60 mm
- Use for in-line termination of serial cable or flat ribbon cable into a D-sub 9 female connector
- Gold plated DB9 contacts for superior transmission, high reliability and durability
- Threaded holes for thumb screw insertion to ensure a secure and reliable connection between solder connector and hood assembly
- Numbered pinout on front and rear of connector for easy identification of pins
- UL, IEC & ISO listed
- RoHS compliant



SIZE (WxDxH) 30.80 x 15.00 x 12.60 mm

MATERIALS

(1) HOUSING	P.B.T, UL 94-V0, Black/Blue/White
(2) CONTACT	Brass, T = 0.20mm Contact area: 0.8u" ~ 1.2u" Gold Plated over 40u" Nickel min Solder area: 80 ~ 120u" Tin plated over 40u" Nickel min
(3) FRONT SHELL	Cold Rolled Steel, T = 0.40mm Cu: 40u" min 80-120u" Nickel Plated
(4) BACK SHELL	Cold Rolled Steel, T = 0.40mm Cu: 40u" min 80-120u" Tin Plated
(5) 3B NUT	Brass, H 4.75*4.75 80-120u" Nickel Plated
(6) 8.0 NUT	Brass, H 4.75*8.0 80-120u" Nickel Plated



SPECIFICATIONS

UL LISTED IEC & ISO LISTED ROHS COMPLIANT	
CURRENT RATING	1A Max.
DIELECTRIC WITHSTANDING VOLTAGE	500V (AC) for 1 minute
CONTACT RESISTANCE	30mΩ Max.
INSULATION RESISTANCE	1000 mΩ Min at DC 500V
INSERTION FORCE	5.5 Kgf max
EXTRACTION FORCE	1.7 Kgf min
TEMPERATURE RANGE	-55°C ~ + 105°C

© PC Cable World. All rights reserved.

PC Cable World product specifications are subject to change without notice, but are accurate at the time of printing. Please contact a sales representative for current specs. Please note that all physical specifications are nominal.