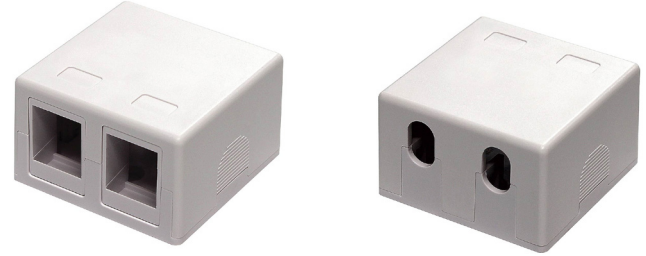


2-PORT KEYSTONE SURFACE MOUNT BOX

SKUS SJ-002B

FEATURES

- 2-Port White Surface Mount Box for mounting wire termination completed on the external side of a wall
- Easy open and close snap cover for inserting or removing keystone
- Universal shape allows for use with compatible keystone modules, such as Ethernet, audio, or telecommunication keystone jacks
- Includes a variety of mounting options for easy installation: screws for wall-mounting, padded dual sided tape for hard or delicate surfaces, and a cable tie for strain relief
- UL approved, RoHS compliant, cULus listed



AVAILABLE COLOURS



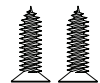
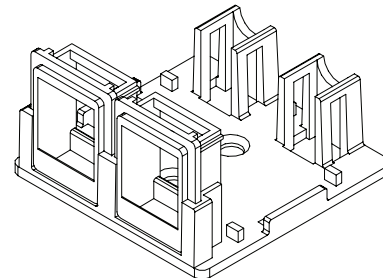
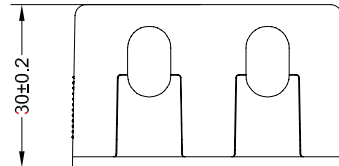
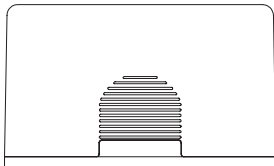
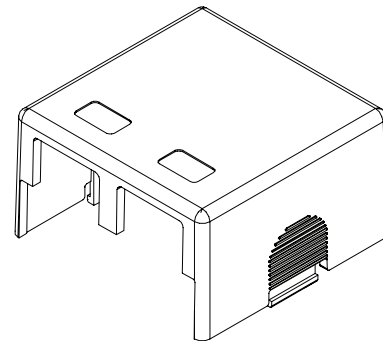
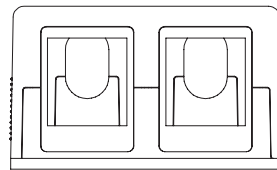
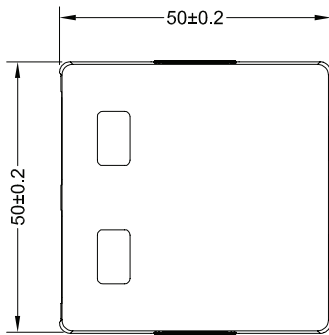
SIZE (WxDxH) 50 x 30 x 50 mm (±0.2 mm)

MATERIALS

BOX	ABS, UL-94V-0
BRACKET	ABS, UL-94V-0
SCREW TYPE	M4, 14 x 7mm

SPECIFICATIONS

UL APPROVED ROHS COMPLIANT CULUS LISTED	
TOLERANCE	X ± 1 .X ± 0.2 .XX ± 0.15
OPERATION TEMPERATURE	-40 — +70 Degrees Celsius



© PC Cable World. All rights reserved.

PC Cable World product specifications are subject to change without notice, but are accurate at the time of printing. Please contact a sales representative for current specs. Please note that all physical specifications are nominal.

www.pccableworld.com