

MINI DISPLAYPORT MALE TO DISPLAYPORT FEMALE ADAPTER

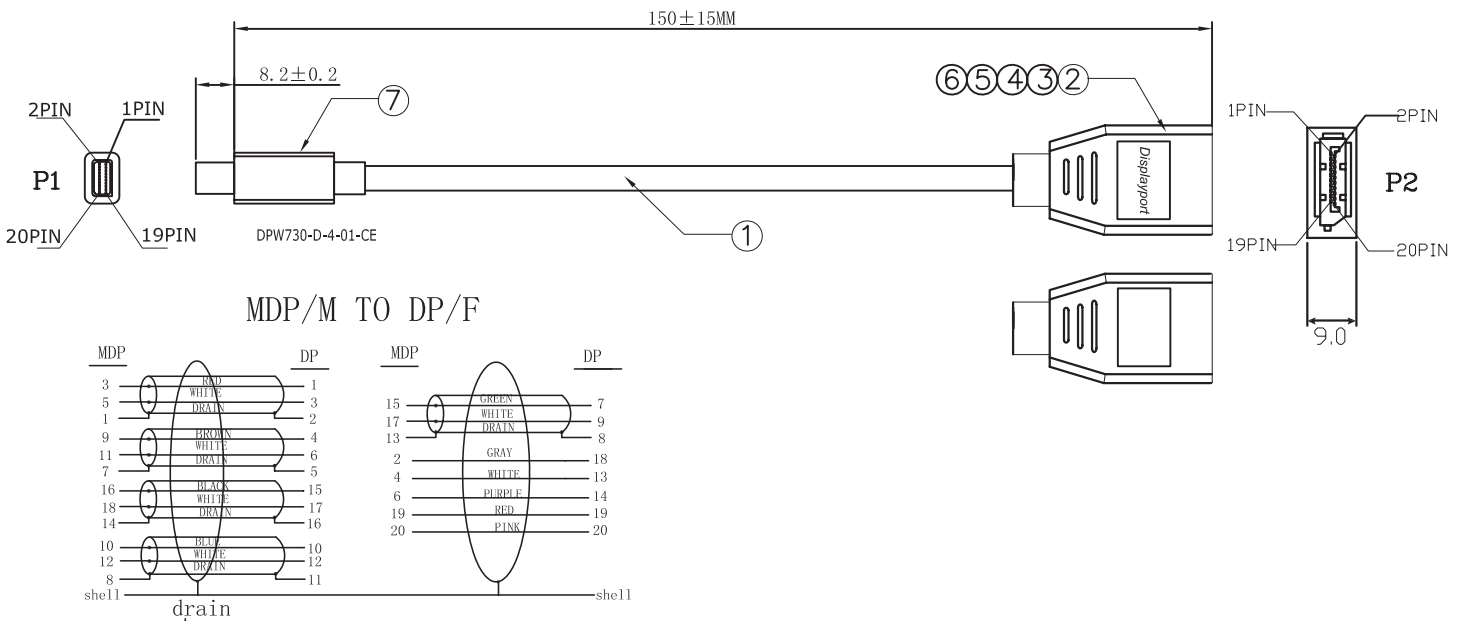
SKUS VA-MDMDF

FEATURES

- Mini DisplayPort 1.2 Male to DisplayPort Female Adapter 0.6"
- Use to connect a Mini DisplayPort device to a DisplayPort monitor or display
- 2560 x 1600 @ (120 Hz) resolution
- Data Transfer Rate 21.6 Gbps
- All relevant materials are complied with RoHS directive



AVAILABLE COLOUR



MATERIALS

(1)	Mini DP M to Mini DP M Cable jacket: PVC Colour: White OD: 5.2mm shell gold L: 0.31M semi-finished product
(2)	45P white PVC
(3)	LDPE
(4)	DisplayPort F black plug shell gold pin 5u with PCB
(5)	H.S.T ϕ 1.0*15mm black
(6)	H.S.T ϕ 2.0*8mm black
(7)	Mini DisplayPort M PVC dust cap

SPECIFICATIONS

ROHS COMPLIANT | 100% OPEN & SHORT & MIS WIRE TEST

TOLERANCE .X \pm .30 | .XX \pm .10 | .XXX \pm .05 (mm)
.X \pm .015 | .XX \pm .010 | .XXX \pm .005 (inches)

CONTACT RESISTANCE 2 ohms (max.)

INSULATION RESISTANCE 10M ohms (min.)

HI-POT TEST DC 300V/10ms

© PC Cable World. All rights reserved.

PC Cable World product specifications are subject to change without notice, but are accurate at the time of printing. Please contact a sales representative for current specs. Please note that all physical specifications are nominal.

www.pccableworld.com