

HDMI FEMALE TO DVI-D MALE DUAL-LINK ADAPTER

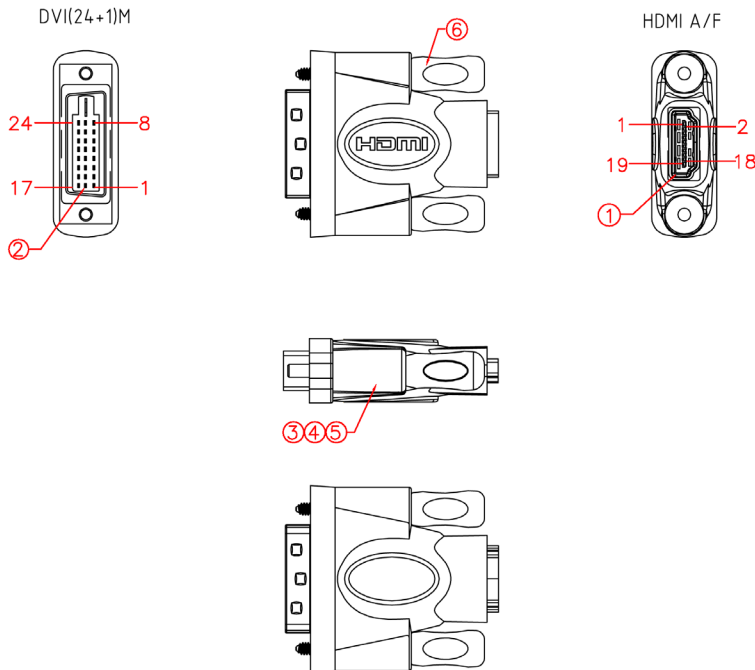
SKUS VA-153

FEATURES

- Molded HDMI Female to DVI-D Male Dual-Link Adapter
- Use to convert an HDMI Male cable to a dual-link DVI-D Male
- Gold-plated connectors provide superior transmission, high reliability and durability
- 24 pin +1 dual-link DVI-D utilizes all of its pins in digital data transmission, increasing bandwidth and ensuring high fidelity resolution
- Includes thumbscrews to ensure secure and reliable connection between DVI-D male adapter and female cables



AVAILABLE COLOUR



PIN ASSIGNMENT

HDMI A F	DVI
1	2
2	3
3	1
4	10
5	11
6	9
7	18
8	19
9	17
10	23
11	22
12	24
15	6
16	7
17	15
18	14
19	16
SHELL	SHELL

MATERIALS

(1) CONN	HDMI A F, Pin G/F, Black, Shell gold plated
(2) CONN	DVI-D(24+1) M, Pin G/F, Black, Shell gold plated
(3) INNERMOLD	PE, Low density
(4) OVERMOLD	PVC, 45Pa, Black
(5) WIRE	1007, 28#
(6) THUMBSCREW	#4-40UNC, ø2.3*L38mm, Nickel plated, Molding black PVC

SPECIFICATIONS

ROHS COMPLIANT 100% OPEN/SHORT/INTERMITTENT TESTING	
TOLERANCE	X. +1.00 .X +0.20 .XX +0.05
WITHSTANDING VOLTAGE	DC 300V at 10 minutes
INSULATION RESISTANCE	10M ohms (min.)
CONDUCTIVE RESISTANCE	3 ohms (max.)

© PC Cable World. All rights reserved.

PC Cable World product specifications are subject to change without notice, but are accurate at the time of printing. Please contact a sales representative for current specs. Please note that all physical specifications are nominal.

www.pccableworld.com