

DISPLAYPORT MALE TO DVI-D FEMALE ADAPTER

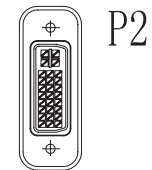
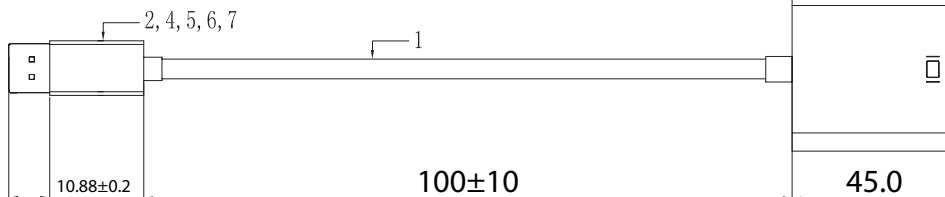
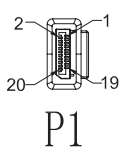
SKUS VA-DMDVF

FEATURES

- Compliant with DisplayPort 1.2 specification
- Support DVI resolutions up to 1920 x 1080p@60Hz
- Connect a DisplayPort equipped computer to a monitor, TV or projector with DVI input. (A DVI cable is required)
- Gold-plated connectors provide superior transmission, high reliability and durability
- Carry a digital video signal from your computer to a monitor for video streaming or gaming
- This is a passive adapter that requires the connected source to have a DP++ port (DisplayPort++)
- All relevant materials are complied with RoHS directive

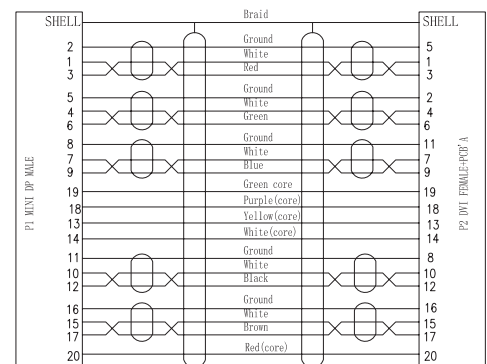
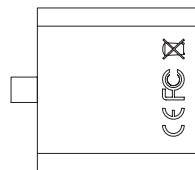


AVAILABLE COLOUR ●



MATERIALS

(1) CABLE	UL20276 #32*5P+#28*1C+#32*4C+AEB black PVC out-cover, OD: 5.0mm cutting line: L=290mm (double)
(2) CONNECTOR	DP 20P/M Terminal: G/F black rubber core Shell: G/F with hook wire type
(3) CONNECTOR	DVI 24+5 F Terminal: G/F white rubber core Steel: G/F with six 4-40# + PCBA nut (3361 program)
(4) INNER MODEL? MATERIAL	Low density PE material, natural colour
(5) OUTER MOLD MATERIAL	Black PVC 45P
(6) ASSEMBLY SHELL	DP M 30.3*20mm body black
(7) ASSEMBLY SHELL	DP M long shell front cover black
(8) ASSEMBLY SHELL	DVI female head black body (Square)
(9) ASSEMBLY SHELL	DVI female head black front cover (Square)



SPECIFICATIONS

ROHS COMPLIANT	
TOLERANCE	X. ± .50 .X ± .30 .XX ± .20 .XXX ± .15 (mm)
SIGNAL SOURCE SOLUTION UXGA	1280*720p, 1920*1080p
REFRESH RATE	60Hz
AUDIO FORMAT	L-PCM @ 32KHz, 44.1KHz
Video is like no signal jitter, drag, shadow, the lack of colour and other display exception / No audio noise, clear voice	
Test transfer line length 500mm (max.)	

© PC Cable World. All rights reserved.

PC Cable World product specifications are subject to change without notice, but are accurate at the time of printing. Please contact a sales representative for current specs. Please note that all physical specifications are nominal.

www.pccableworld.com