

ACTIVE DISPLAYPORT 1.2A MALE TO HDMI FEMALE ADAPTER (4K)

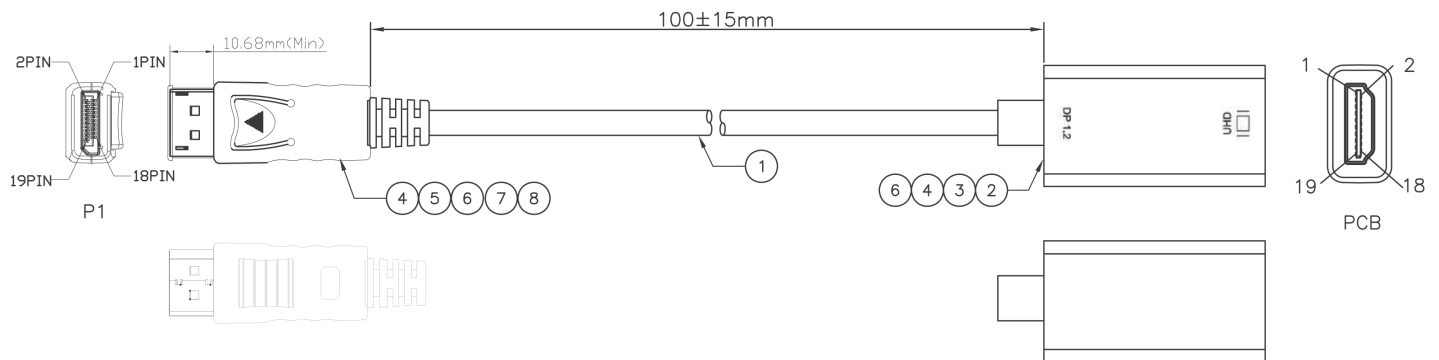
SKUS VA-DMHF-A

FEATURES

- 32 AWG Active DisplayPort 1.2A Male To 4K HDMI Female Adapter 6"
- Supports HDMI resolutions up to 4K (3840 x 2160p @30Hz)
- Latching on the DisplayPort connector provides a secure connection between the adapter and the device port
- Gold plated DisplayPort and HDMI connectors for non-corrosive, long-lasting conductivity



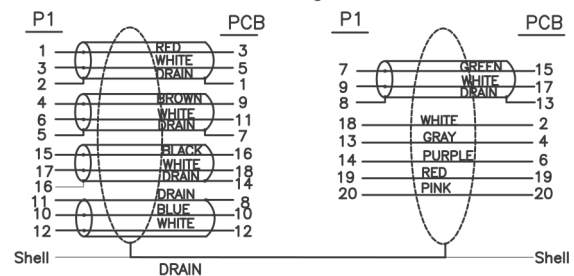
AVAILABLE COLOUR



MATERIALS

- | | |
|-----|--|
| (1) | DP~UL20276~[32AWG(7/0.08TC)+EAM]*5P+32AW-G(7/0.08TC)*5C+AEB(16/7/0.12 85%AL) OD: 4.8mm
Colour: Black Mark: DisplayPort cable E342987 AWM style 20276 80C 30V VW-1 |
| (2) | DP to HDMI Adapter with PCB shell gold plated |
| (3) | HDMI F ABS shell Colour: Black |
| (4) | DisplayPort M insulation black shell gold plated |
| (5) | DP F ABS shell Colour: Black |
| (6) | 65P PVC Colour: Black |
| (7) | Transparent PE |
| (8) | DisplayPort M dust cap |

PIN Assignment



SPECIFICATIONS

ROHS COMPLIANT | 100% OPEN & SHORT & MIS WIRE TEST

TOLERANCE	.X ± .30 .XX ± .10 .XXX ± .05 (mm)
TOLERANCE	.X ± .015 .XX ± .010 .XXX ± .005 (inches)
CONTACT RESISTANCE	3 ohms (max.)
INSULATION RESISTANCE	10M ohms (min.)
HI-POT TEST	DC 300V/10ms

© PC Cable World. All rights reserved.

PC Cable World product specifications are subject to change without notice, but are accurate at the time of printing. Please contact a sales representative for current specs. Please note that all physical specifications are nominal.

www.pccableworld.com