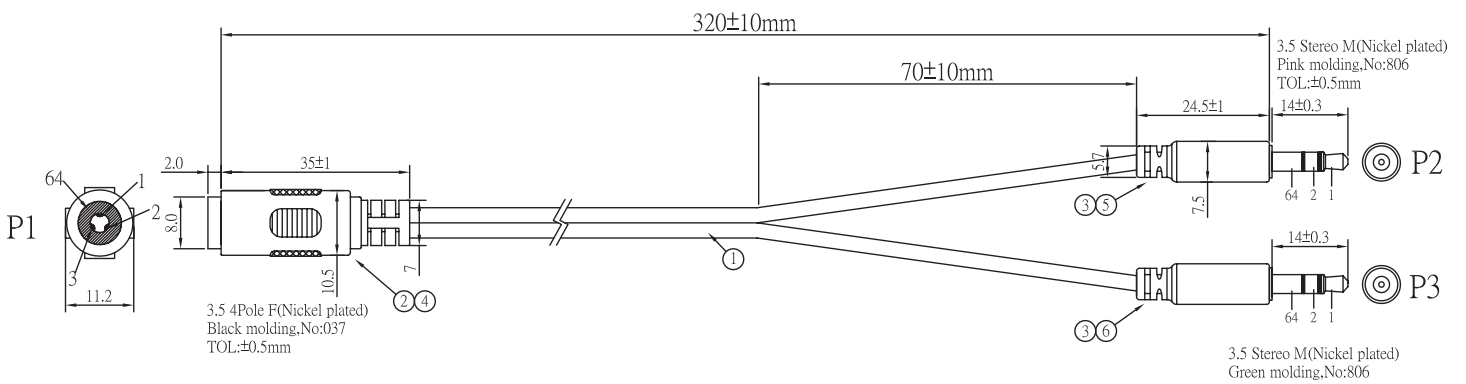


3.5MM 4C STEREO 6" F-M/M Y-CABLE

SKUS RC-111F

FEATURES

- 3.5mm 4C TRRS Stereo Female to Dual 3.5mm TRS Stereo Male Y-Cable
- Use to connect your stereo headphones that have an integrated microphone to your computer
- Fully molded connectors provide strain relief
- Foil shielded to prevent external EMI/RFI interference
- Stranded conductors and drain wire are tinned to resist oxidation



PIN ASSIGNMENT:

P1	1	2	3	64
P2(Pink)			64	1+2
P3(green)	1	2	64	

MATERIALS

(1)	NON-UL 28#*2C+S*2 OD: 2.8mm*5.6mm + Black PVC Jacket
(2)	3.5 4Pole F (White Insulator, Nickel Plated)
(3)	3.5 Stereo M (Black Insulator, Nickel Plated)
(4)	Black 45P PVC
(5)	Pink 45P PVC
(6)	Green 45P PVC

© PC Cable World. All rights reserved.

PC Cable World product specifications are subject to change without notice, but are accurate at the time of printing. Please contact a sales representative for current specs. Please note that all physical specifications are nominal.

www.pccableworld.com