

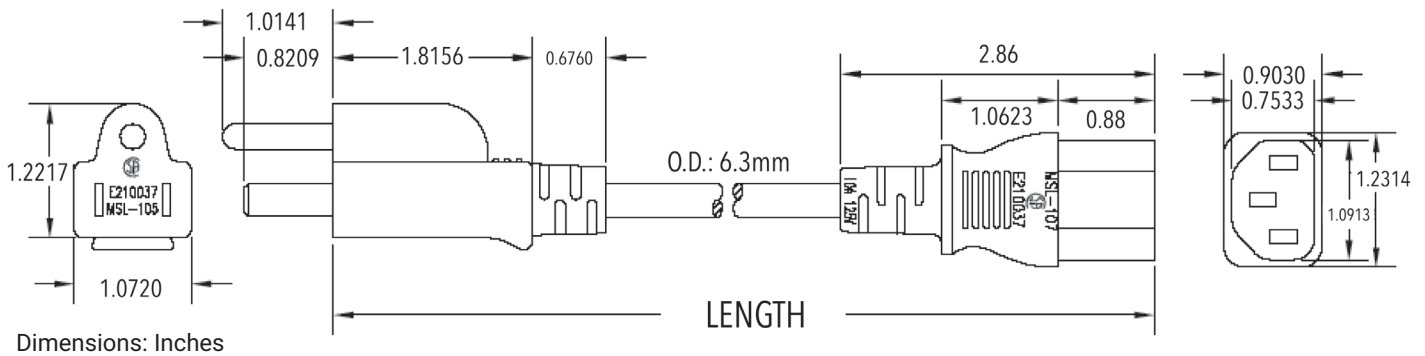
UNIVERSAL POWER CORD NEMA 5-15P TO IEC-C13

SKUS	MC-305F	(1')	MC-305L	(10')
	MC-3053	(3')	MC-305D	(15')
	MC-305	(6')	MC-305T	(25')



FEATURES

- Universal Power Cord NEMA 5-15P TO IEC-C13
- Used to power computers, scanners, printers, monitors, and other 3-pin shroud devices
- Either as a replacement or as an extension, this cable will provide high-quality, long-lasting functionality
- Heavy duty 18 AWG power cord, fully molded for durability
- 3-prong grounded male plug to 3-pin shroud female connection type
- Technical specifications; 10A, 125V rating, 18 AWG, FT2, SVT
- UL, cUL listed and CSA approved
- RoHS compliant



SPECIFICATIONS

ROHS COMPLIANT | UL, CUL LISTED | CSA APPROVED

UL/CSA 60°C - 75°C

TOLERANCE .XX ± 0.25

POWER CORD MAXIMUM RATING 10A @ 125V