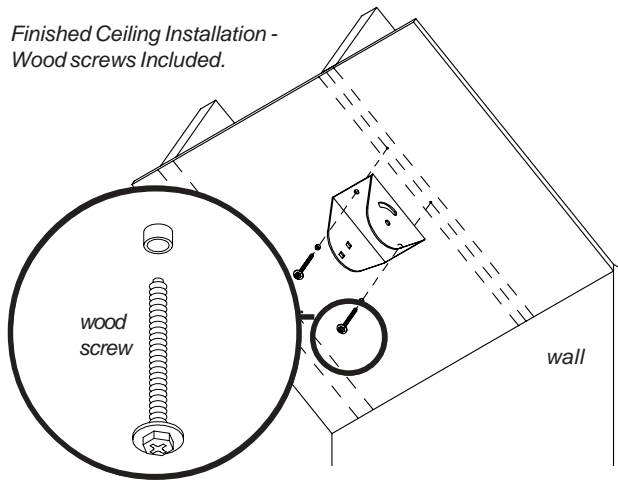
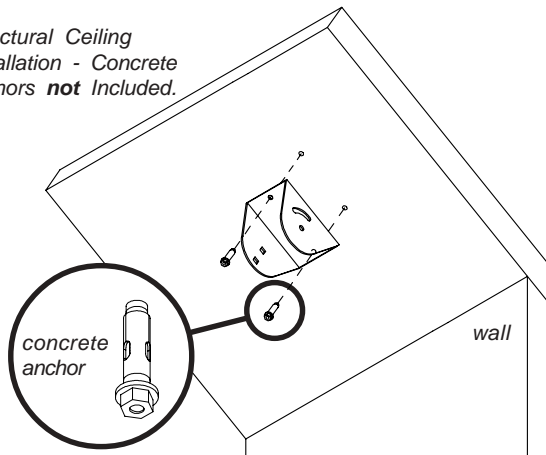


Finished Ceiling Installation - Wood screws Included.

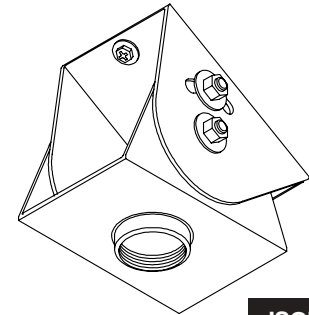
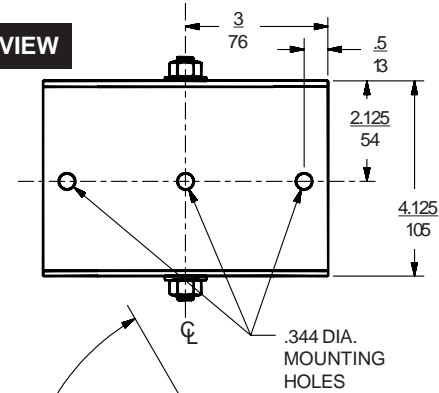


The ACC556 Cathedral Ceiling Adapter can be attached to a finished ceiling (wood joists above drywall) using the two washer head wood screws included, or a structural ceiling (concrete) using concrete anchor accessory kit ACC200 (sold separately).

Structural Ceiling Installation - Concrete anchors **not** Included.

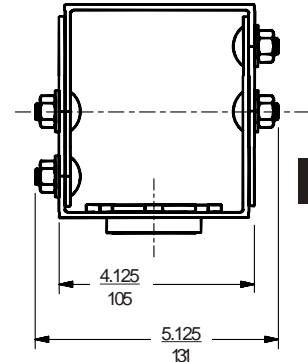
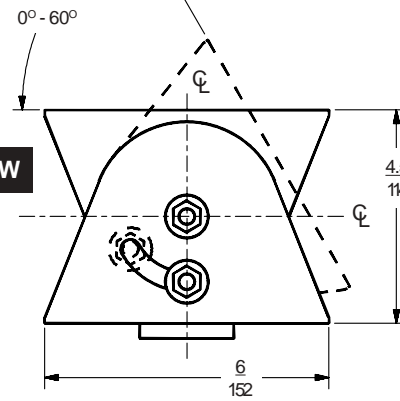


TOP VIEW

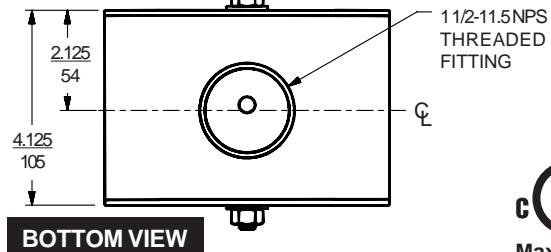


ISOMETRIC VIEW

FRONT VIEW



SIDE VIEW



BOTTOM VIEW

ALL DIMENSIONS: INCH  
MM  
CL = CENTER LINE

**UL** US This product must be installed by a qualified, professional installer.  
Maximum Load Capacity : 300 lbs. (136 kg.)

**Architects specifications:**

The Cathedral Ceiling Adapter shall be a Peerless model ACC556 and shall be attached where indicated on the plans. It shall have a 1 1/2 - 11.5 NPS threaded fitting to accept a Peerless flush mount tube or extension column. It shall be constructed of 12 gauge cold rolled steel and finished in white fused epoxy. Assembly and installation shall be done according to the instructions provided by the manufacturer.

**TECHNICAL DATA SHEET  
CATHEDRAL CEILING ADAPTER**

**Peerless Industries, Inc.**

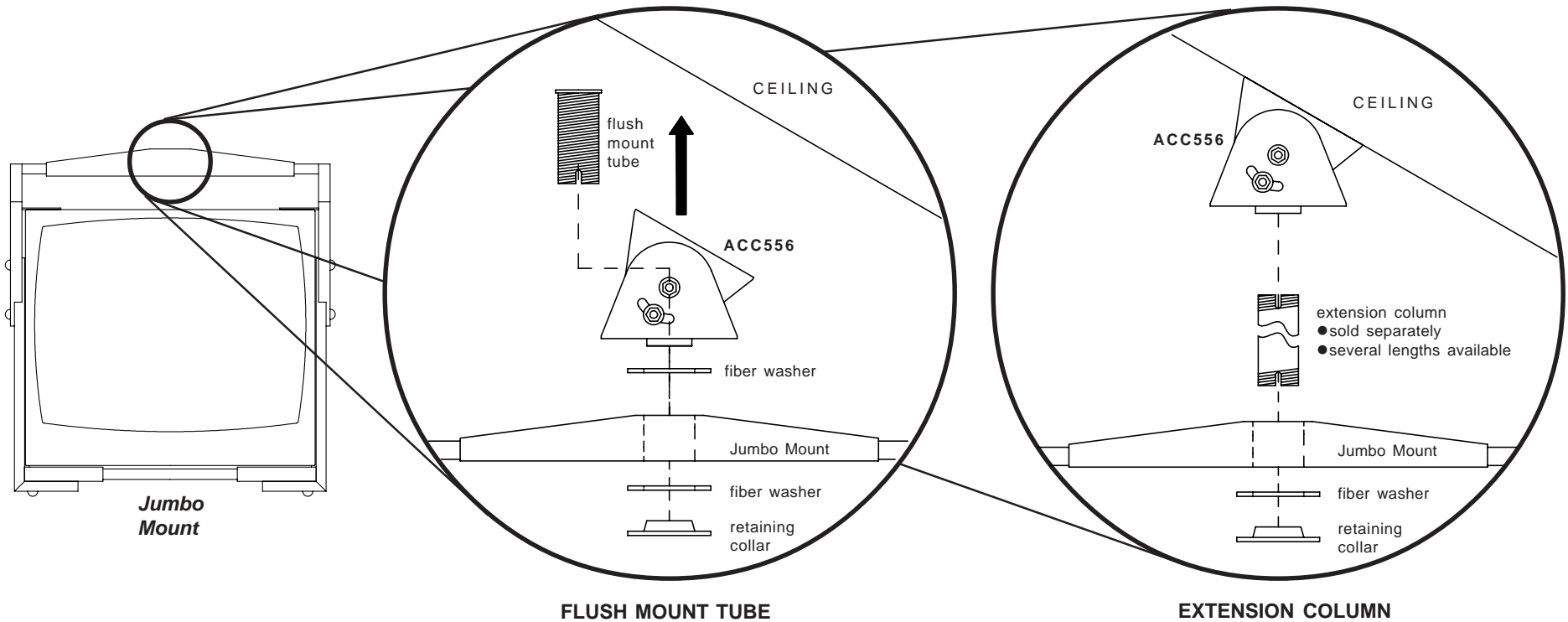
3215 W. North Ave.  
Melrose Park, IL 60160

phone: (708) 865-8870  
fax: (708) 865-2941

ISSUED: 3-12-97 SHEET NO: 128-9511-1 8-18-03

Jumbo Mount attaches to **ACC556** with flush mount tube or extension column. Flush mount tube is included with Jumbo Mount. Various lengths of extension columns are available. Adjustable length extension columns are also available.

The ceiling to which the ceiling plate is attached must be capable of carrying four times the combined weight of all components (Jumbo Mount, extension column, etc.) and equipment (monitor, VCR, etc.).



MODEL ACC556 CATHEDRAL CEILING ADAPTER FOR JUMBO MOUNTS - SPECIFICATIONS				
Weight	* Shipping Weight	Max. Load Capacity		Compatible Jumbo Mount Models
		Concrete	Wood	
4 lb (1.8kg)	4.6 lb (2.1 kg)	300 lb (137kg)	300 lb (137kg)	JM 630, JM 640, JM 640D, JM 650, JM 650D, JM 655, JM 660, JM 665, JM 670, JM 675
<b>WARNING: WEIGHT OF TV or MONITOR NOT TO EXCEED MAXIMUM LOAD CAPACITY!</b>				

\* Shipping weight based on single unit shipment. Per unit shipping weight may be less for bulk orders.