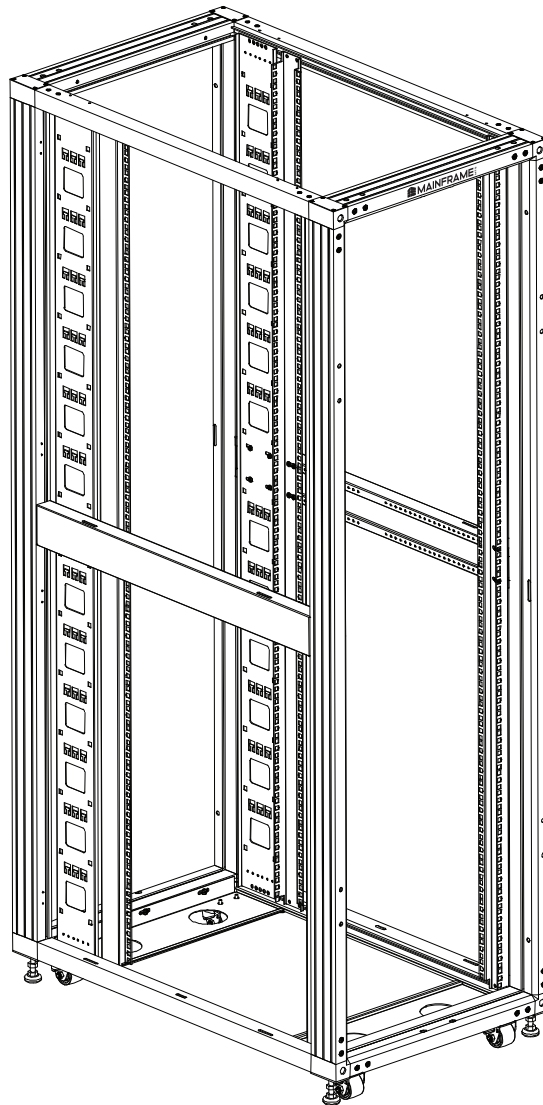


MAINFRAME 4-POST OPEN FRAME SERVER RACK SERIES

OFSR-4-22/32/42U

ASSEMBLY INSTRUCTIONS

V.1.2



ITEM LIST & REQUIRED TOOLS

SUPPLIED ITEMS



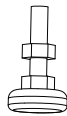
10-32 Screws and
Cage Nut
x 50



M6 Countersunk
Head Screws
x 16



M5 Self-tapping
Screws
x 8



Leveling Feet
x 4



Castors
(pre-installed onto
bottom plates)
x 4

BAYING KITS

Use this to join two or more cabinets of the same height side by side to create a multi-bay configuration.

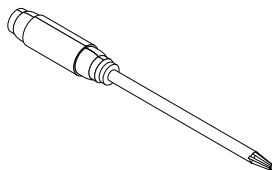


Baying Plates
x 4



M6 Countersunk
Head Screws
x 8

REQUIRED TOOLS
(User-supplied)



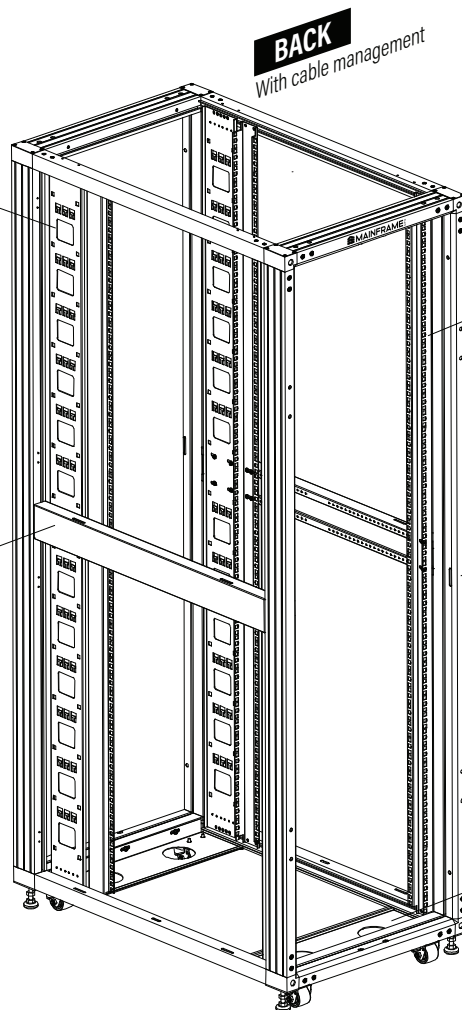
- #1 Philips Screwdriver
- #2 Philips Screwdriver

Check the quantities of the items before assembly.

Cable Management Rail
x 2

Horizontal Beam
x 2

(*Not included in 22U)



Vertical Rail
x 4

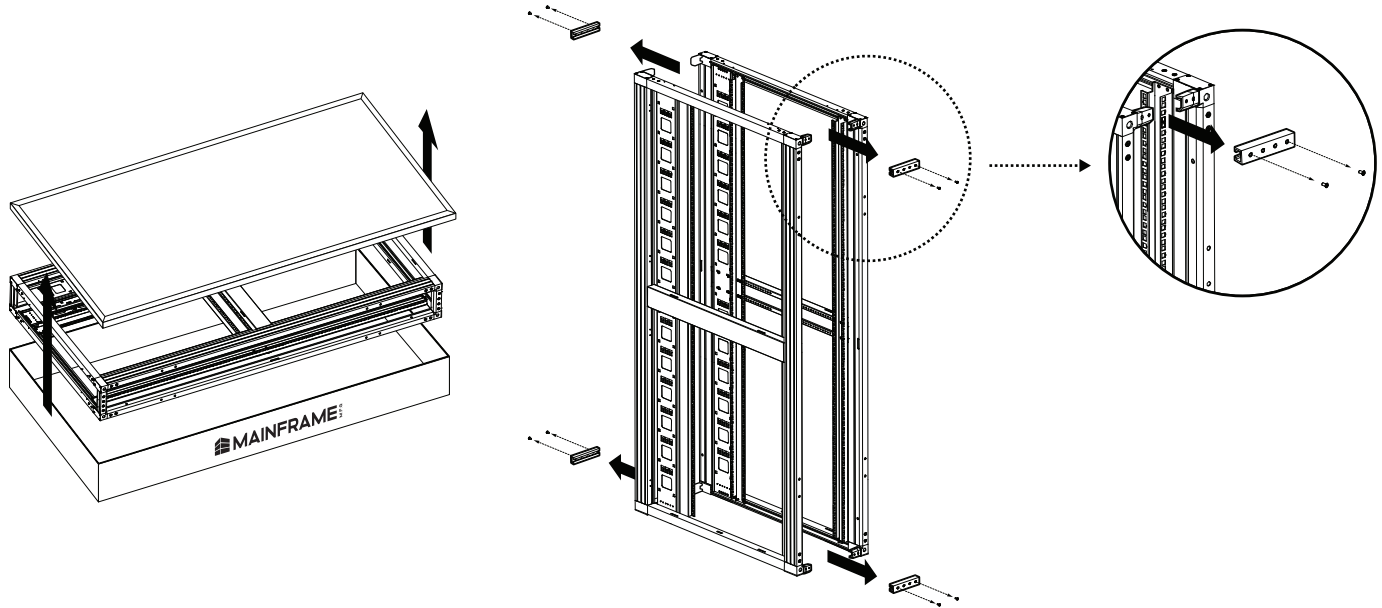
Frame
x 2

Bottom Panel w/Castors
x 2

INSTALLATION

1

Unpack the frame assembly (OFSR-4-22/32/42U) and remove the temporary spacers that have 8 x M6 countersunk screws on each side (these screws may be kept as spares).



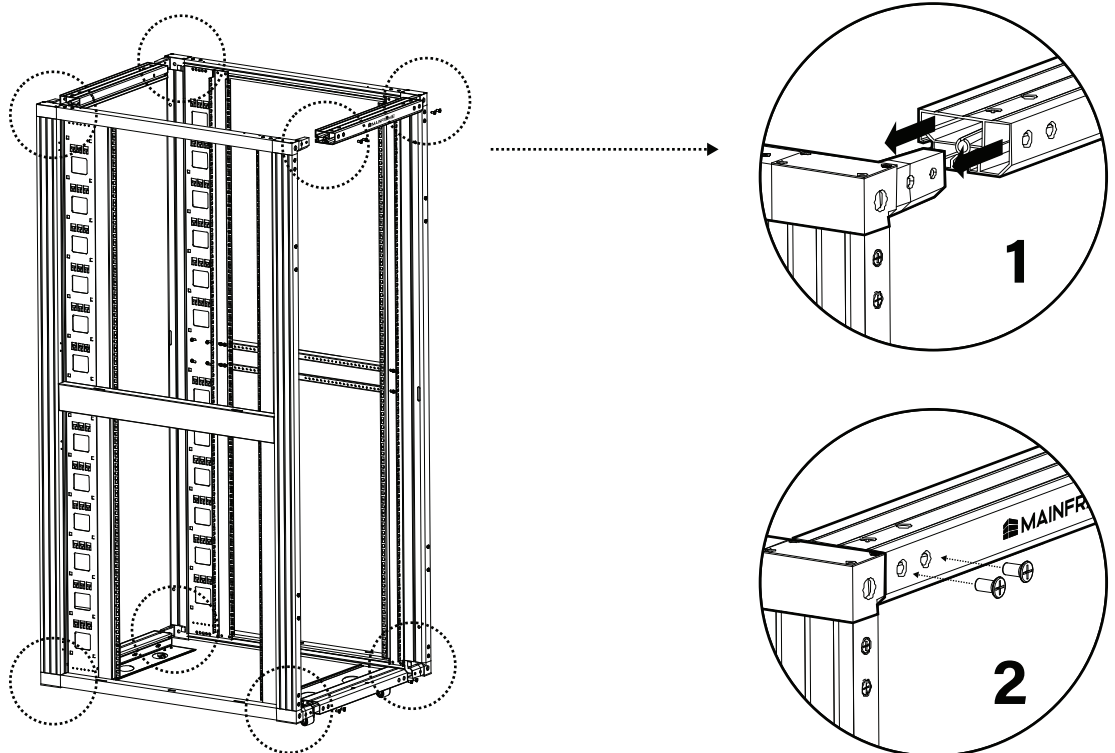
2

Use M6 countersunk head screws to install and connect the aluminum frame and the aluminum side frame.

x 16



M6 Countersunk Head Screws



INSTALLATION

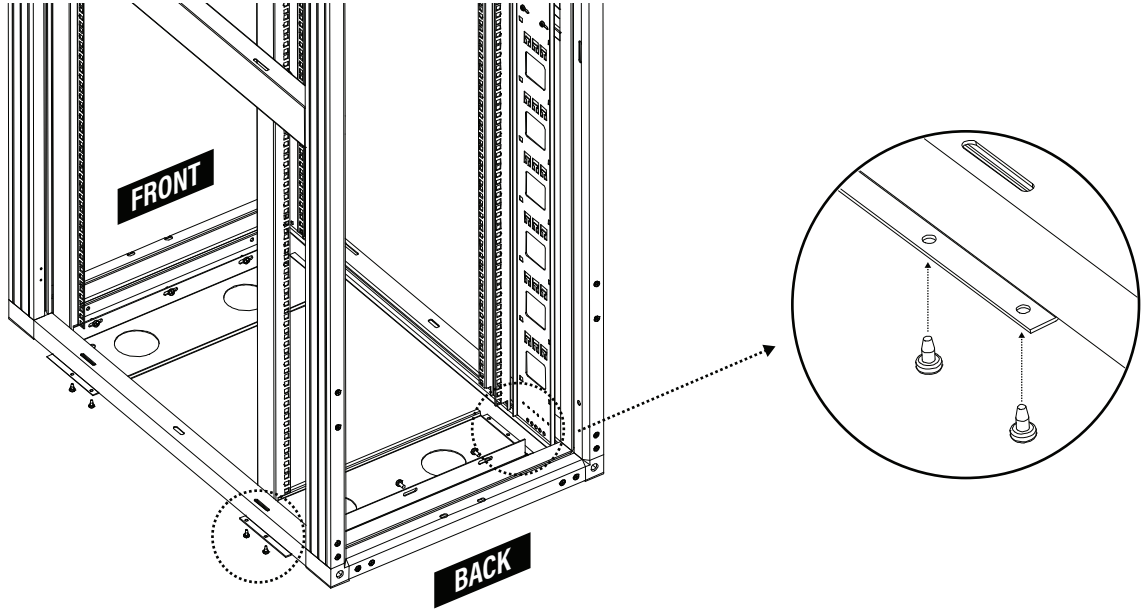
3

Use M5 self-tapping screws to mount the front and rear base plates to the bottom left and right beams.

x 8



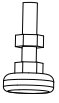
M5 Self-tapping
Screws



4

Install leveling feet on the four bottom corners.

x 4



Leveling Feet

