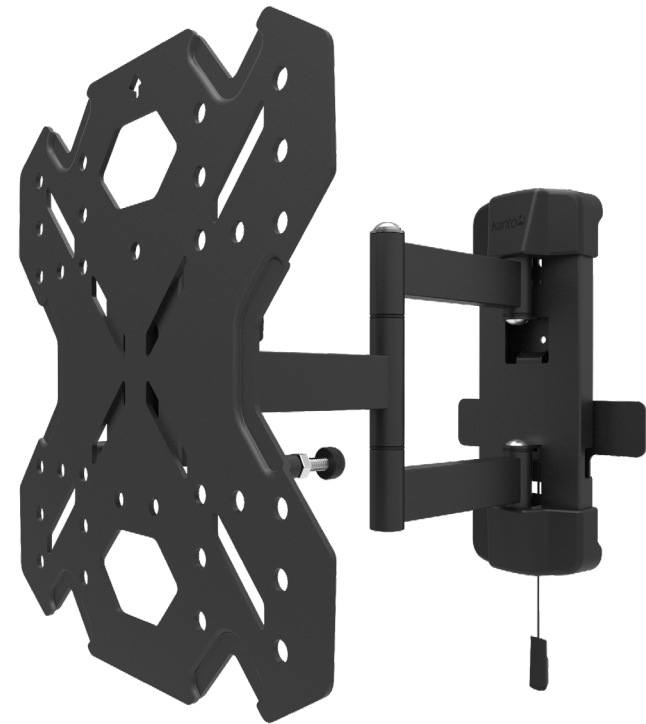


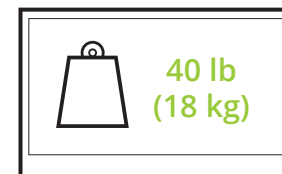
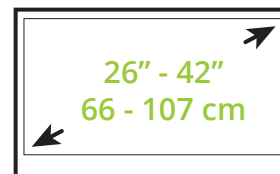
RV250G

Designed for indoor and outdoor installations, the RV250G features two independent wall plates and a detachable arm that allows you to freely transfer your TV between locations. Move your TV from the living room to the patio where you can enjoy improved viewing angles provided by the mount's 12.7-inch articulating arm. This versatile wall mount is also suited for RVs and boats, featuring adjustable rubber bumpers and a quick-release locking mechanism to prevent your TV from moving during transit.

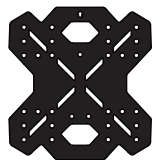


FEATURES & SPECIFICATIONS

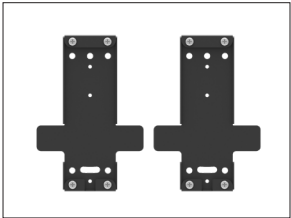
- Fits most flat panel TVs from 26" to 42"
- Supports TVs up to 40 lb (18 kg)
- Galvanized steel construction and stainless steel hardware prevent rust
- Designed to work with RVs, Boats and Decks
- Accommodates VESA sizes: 50x50, 75x75, 100x100, 100x150, 100x200, 150x100, 150x150, 200x100, 200x150, 200x200
- 60° of swivel in either direction, depending on screen size
- Sits 2.6" (6.7 cm) and extends up to 12.7" (32.2 cm) from the wall
- Includes two wall plates to easily transfer your TV between locations
- Includes cable management straps
- Locking articulating arm with quick release pull cord secures your TV during transit
- Five Year Manufacturer's Warranty
- Shipping box weight: 11.7 lb (5.3 kg)
- Shipping Box Dimensions: 16.6" x 12.8" x 3.1" (42.2 x 32.5 x 7.9 cm)
- Product Weight: 9.7 lb (4.4 kg)
- UPC: 800152718095



50x50
200x200
VESA
COMPLIANT

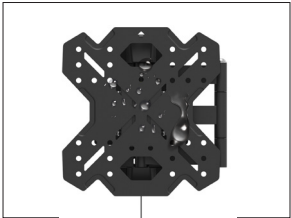


TECHNICAL ILLUSTRATIONS



ONE TV. TWO LOCATIONS.

Two independent wall plates and a detachable arm allow you to quickly transfer your TV between locations. Simply unscrew the arm from one wall plate and move it to a second location of your choosing.



RUSTPROOF DESIGN

To protect against the elements and general wear and tear, the RV250G is built from galvanized and powder coated steel, and assembled with stainless steel hardware. Safely mount it outside without worrying about rust or corrosion.



IDEAL FOR RVs & BOATS

A locking mechanism with a quick-release latch keeps the articulating arm securely in place, while adjustable rubber bumpers prevent shaking during transit. Keep your TV safe and secure, even on the go.



IMPROVED VIEWING ANGLES

Providing 12.7" of extension, the articulating arm allows you to tilt, pan and swivel your TV for optimal viewing.



CLEAN SETUP

Along with screw-on wall plate covers, the RV250G comes with Velcro straps to keep your cables organized and out-of-sight.

