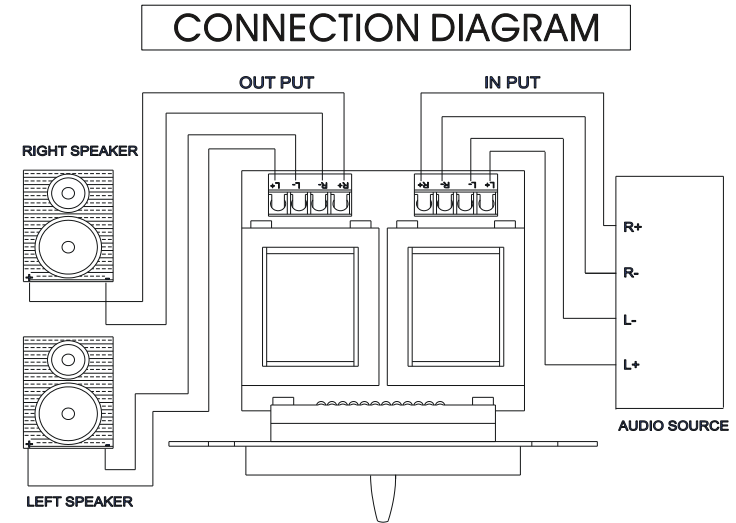


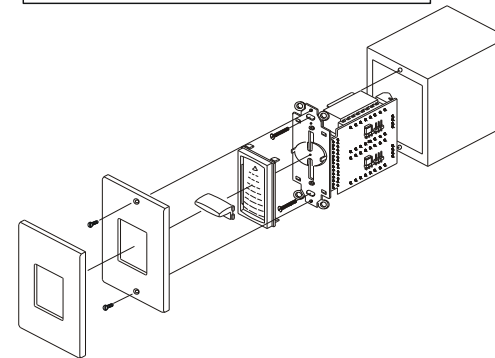
VC-150 INSTALLATION INSTRUCTIONS

1. Remove about 1/4" of insulation from the ends of all wires to be connected to the volume control and twist the exposed strands.
2. The INPUT & OUTPUT connectors on the volume control are removable and accept up to 12 gauge wire. Loosen the screws from the connectors and get ready for wiring.
3. Connect the cable leads from AMPLIFIER output to the connector labeled "INPUT" on the volume control. Maintain the correct polarity, LEFT L(+) and L(-), RIGHT R(+) and R (-) on all input connections. Tighten the screws firmly. Make sure no bare wire is visible.
4. Connect the SPEAKER wires to the connector labeled OUTPUT on the volume control. Maintain the correct polarity on all output (speaker) connections. Make sure no bare wire is visible.
5. Install the slider volume control assembly in the junction box using the two longer sizes of screws included in the box. Insert carefully to avoid excessive strain on the set screws and wiring. If necessary, pre-dress the wires for easy mounting.
6. Attach and fix the interior plate using the two short screws included in the box. Cover the interior plate with the screw-less, snap on wall plate.

For installation questions contact Factor Electronics at www.factorelectronics.com or info@factorelectronics.com

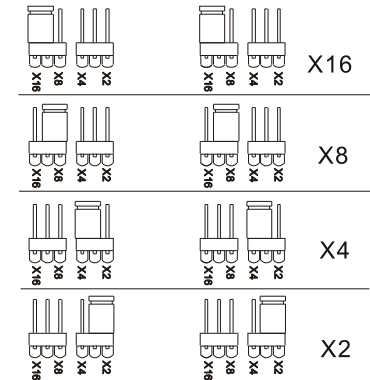


ASSEMBLY DIAGRAM



Mounting depth: 2.8" (71mm) from finished wall.

JUMPER SETTINGS



VOLUME SET AT MAXIMUM

IMPEDANCE JUMPER SETTINGS TO MATCH BACK TO 8 Ω AT AMPLIFIER				
SPEAKER OHMS(Ω)	2X	4X	8X	16X
8	2 PAIR	4 PAIR	8 PAIR	16 PAIR
4	1 PAIR	2 PAIR	4 PAIR	8 PAIR

IMPEDANCE JUMPER SETTINGS TO MATCH BACK TO 4 Ω AT AMPLIFIER				
SPEAKER OHMS(Ω)	2X	4X	8X	16X
8	4 PAIR	8 PAIR	16 PAIR	32 PAIR
4	2 PAIR	4 PAIR	8 PAIR	16 PAIR