

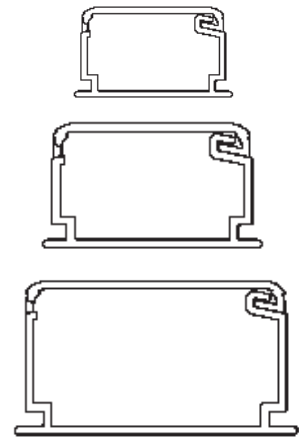
HellermannTyton

INSTSR Rev.A

INSTALLATION INSTRUCTIONS FOR LOW VOLTAGE RACEWAY SYSTEM



Wire Type	Wire Size	O.D. of Wire	Low Voltage - TSR					
			TSR1 A = 0.220 in ²		TSR2 A = 0.675 in ²		TSR3 A = 1.384 in ²	
			Spec	Max	Spec	Max	Spec	Max
Twisted Pair 24 AWG Unshielded	2 Pr.	0.140	5	8	17	26	35	53
	3 Pr.	0.150	4	7	15	22	31	46
	4 Pr. Cat 5e	0.217	2	3	7	10	14	22
	4 Pr. Cat 6	0.240	1	2	5	8	12	18
	25 Pr.	0.410	0	0	2	3	4	6
	4 Pr. Cat 6a	0.354	0	1	2	4	5	8
Coax	RG58/U	0.193	3	4	9	13	18	28
	RG59/U or RG62/U	0.242	1	2	5	8	12	18
	RG6/U	0.270	1	2	4	7	9	14
Fiber Optic	2 Strand	0.175	3	5	11	16	23	34
FA Jacket	4 Strand	0.185	3	4	10	15	20	30
OFNP	6 Strand	0.210	2	3	7	11	15	23



Formula used to calculate communications wire fill capacity - Numbers of wires = duct / {1/4 x 3.14 x (wire o.d.)² x 0.4 or 0.6.

Per ANSI/TIA/EIA-569-A-:

SPEC = 40% fill which is recommended for planning perimeter pathways

MAX (for data) = 60% fill which is allowed to accommodate unplanned additions after initial installation

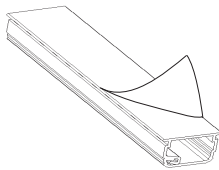
MAX (for power) = Maximum number determined by UL temperature testing

SURFACE RACEWAY

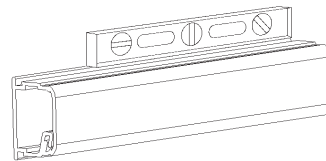
Part Numbers: TSR1X-6/8A, TSR2X-6/8A, TSR3X-6/8A

Replace "X" in the part number with the following letters for desired color: I (Ivory), FW (Office White), W (White)

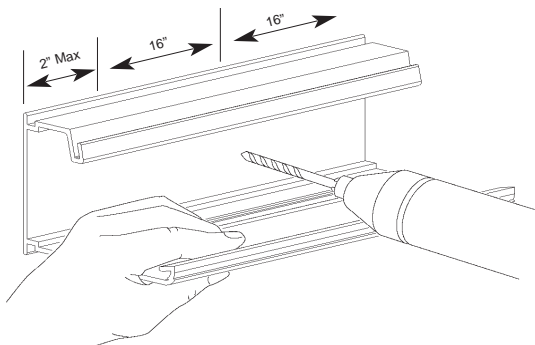
1



2



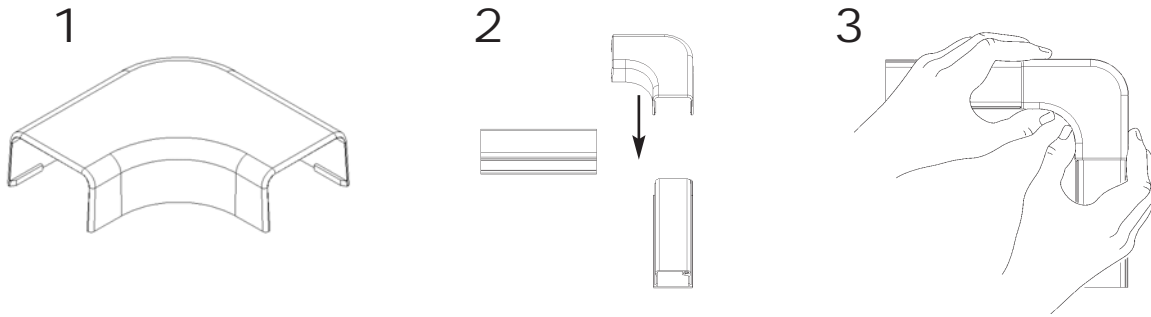
3



Appropriate mounting hardware should be used to secure the fitting to the mounting surface. Recommend to drill 3/16" holes every 16" and install with #8 round or pan-head screws.

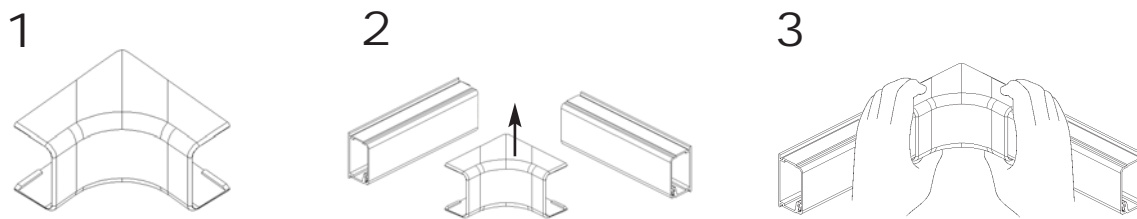
FLAT ELBOW

Part Numbers: TSR1X-25-1, TSR2X-25-1, TSR3X-25-1



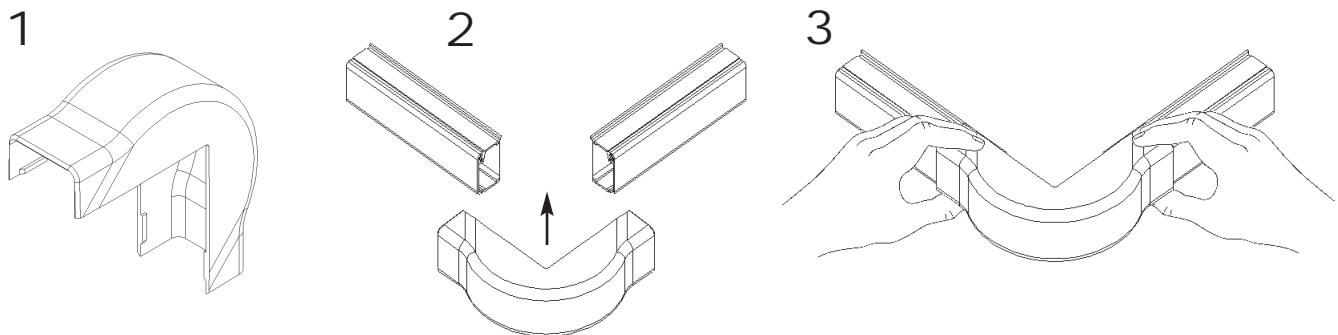
INTERNAL ELBOW

Part Numbers: TSR1X-33-1, TSR2X-33-1, TSR3X-33-1



EXTERNAL ELBOW

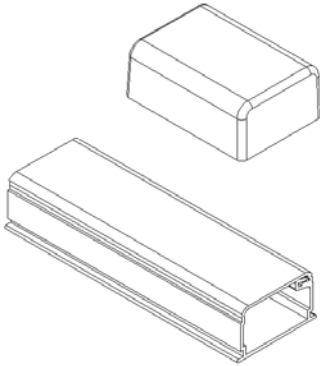
Part Numbers: TSR1X-29-1, TSR2X-29-1, TSR3X-29-1



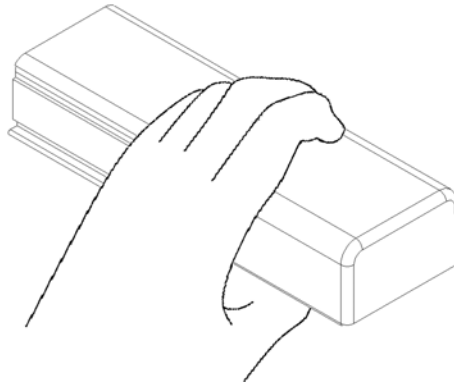
END CAP

Part Numbers: TSR1X-36, TSR2X-36, TSR3X-36

1



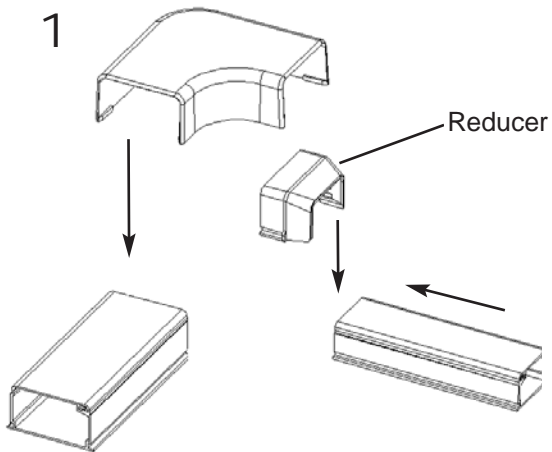
2



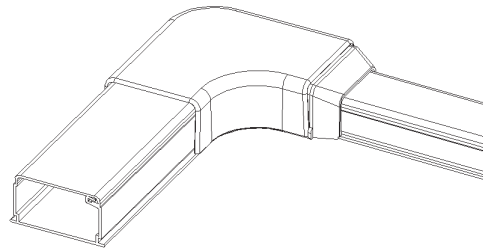
REDUCER

Part Numbers: TSR1X-12, TSR2X-12, TSR3X-12

1



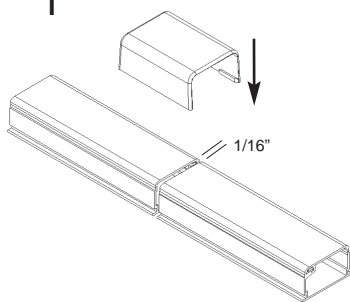
2



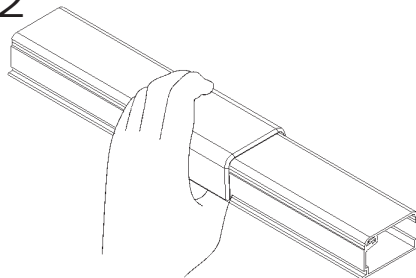
SPLICE COVER

Part Numbers: TSR1X-14, TSR2X-14, TSR3X-14

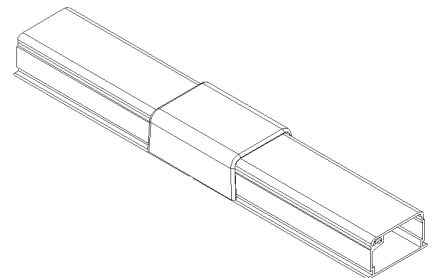
1



2

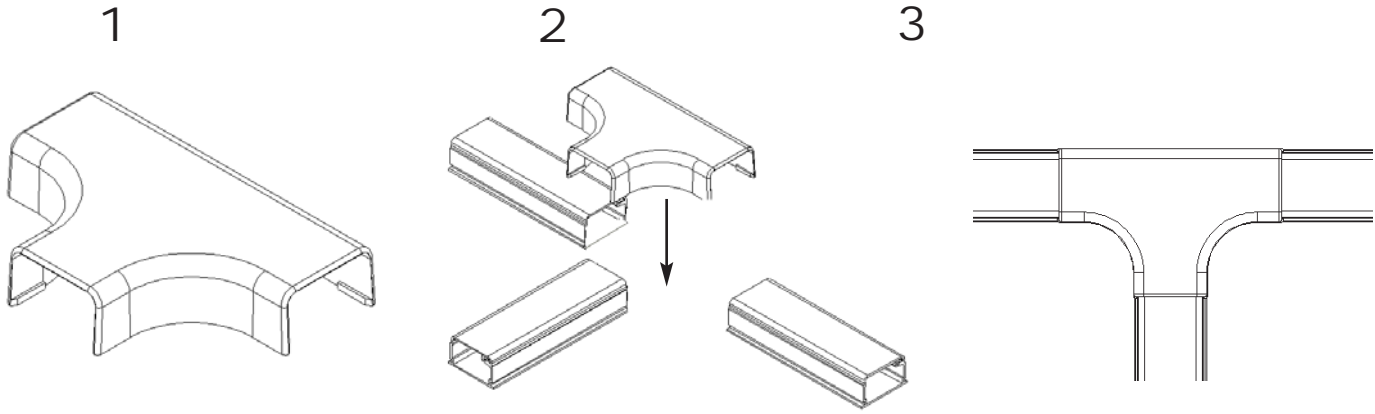


3



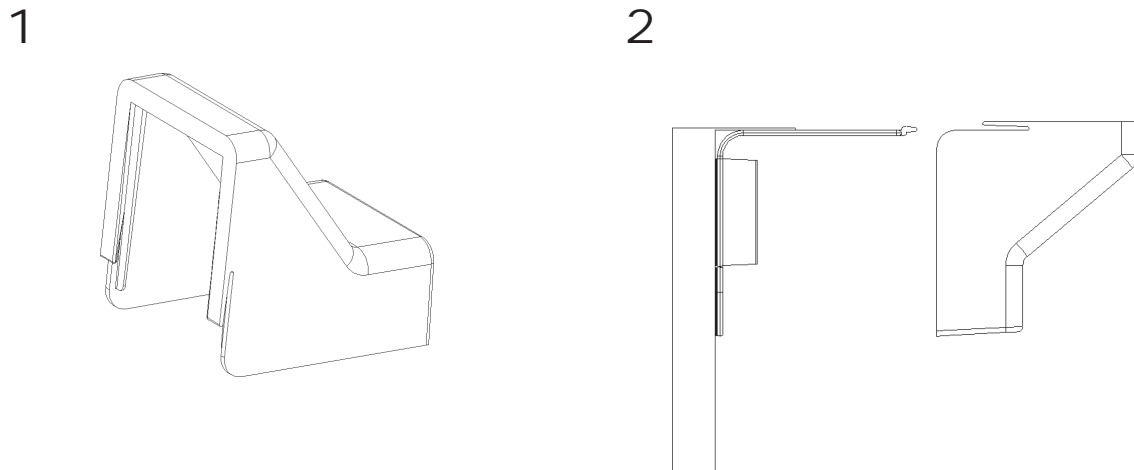
TEE COVER

Part Numbers: TSR1X-21-1, TSR2X-21-1, TSR3X-21-1



CEILING DROP

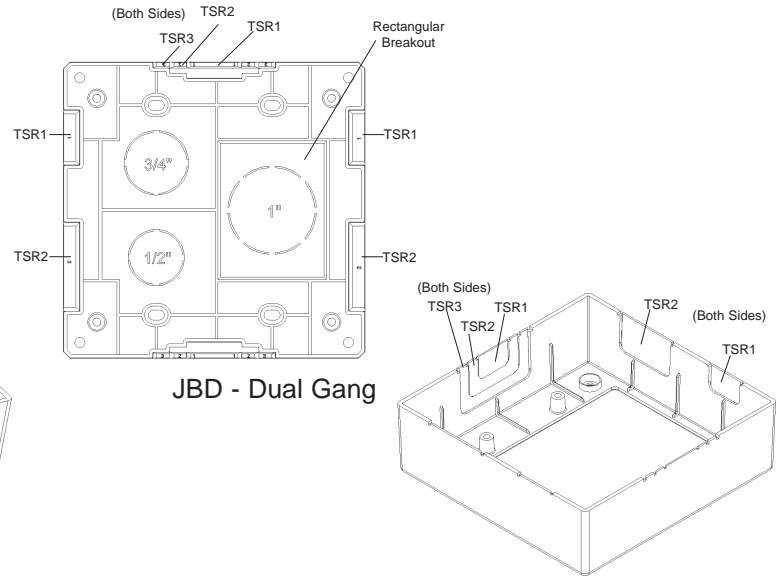
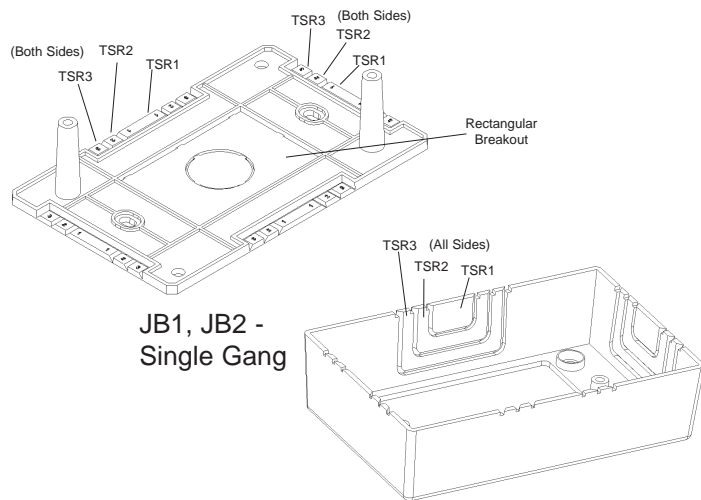
Part Numbers: TSR1X-50, TSR2X-50, TSR3X-50



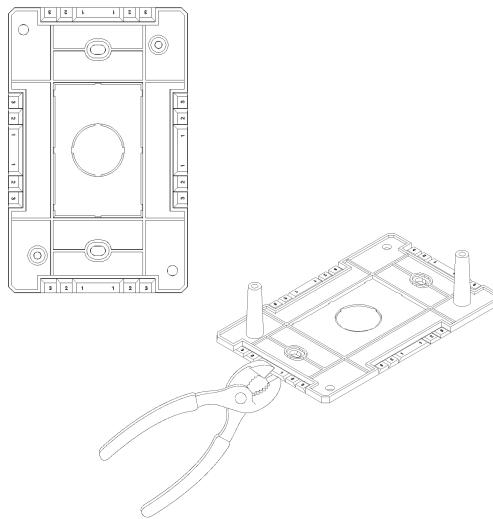
JUNCTION BOXES

Part Numbers: TSRX-JB1, TSRX-JB2, TSRX-JBD

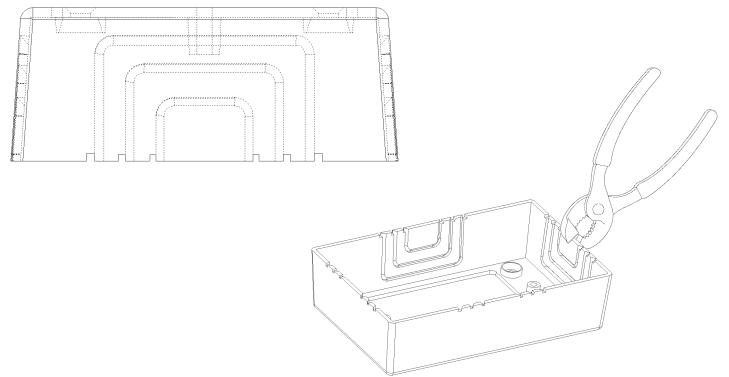
Base and Cover Breakouts



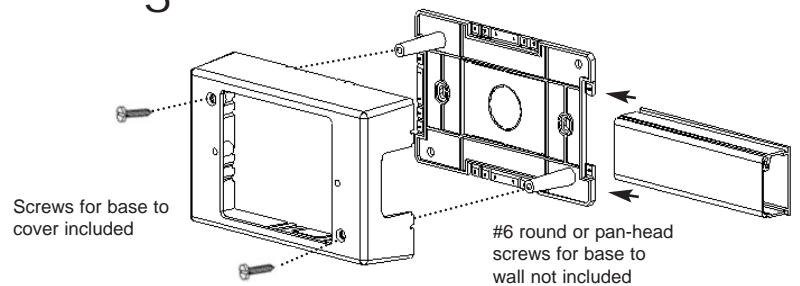
1



2



3



HellermannTyton

7930 N. Faulkner Rd. Milwaukee, WI 53224
 Phone: (800) 537-1512, (414) 355-1130 • Fax: (800) 848-9866, (414) 355-7341
<http://www.hellermann.tyton.com> • email: corp@htamericas.com