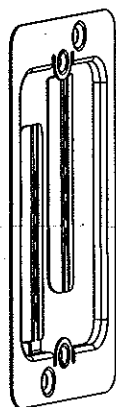


INSTALLATION INSTRUCTIONS



low voltage mounting plate bracket

Model: CS01-S1

WARNING

- Read and understand all instructions.
- Do not use this product near water, near a bath tub, wash bowl, kitchen sink or laundry tub, in a wet basement, or near a swimming pool.
- This products intended for indoor use only.

NOTE: Read entire instruction sheet before you start installation and assembly.

IMPORTANT: Ensure you have received all parts against the component checklist prior to installing. If any parts are missing or faulty, telephone the special franchiser for a placement.



low voltage mounting plate bracket

Package

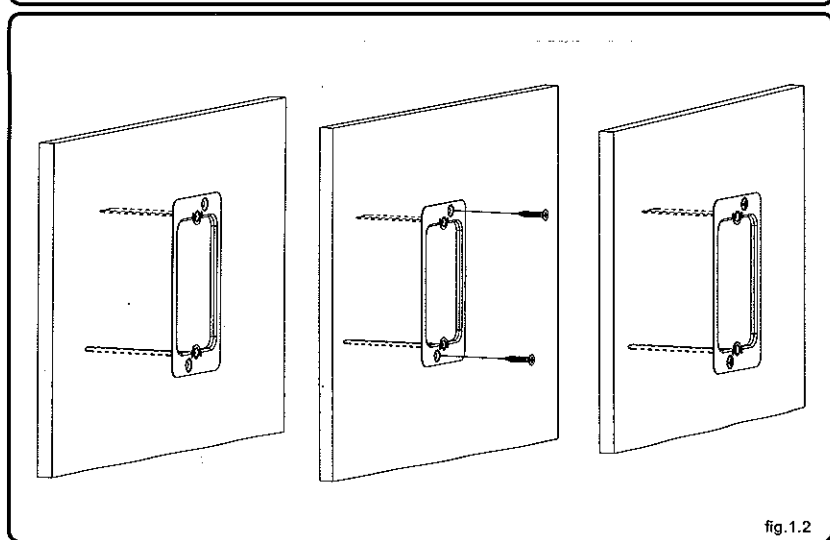
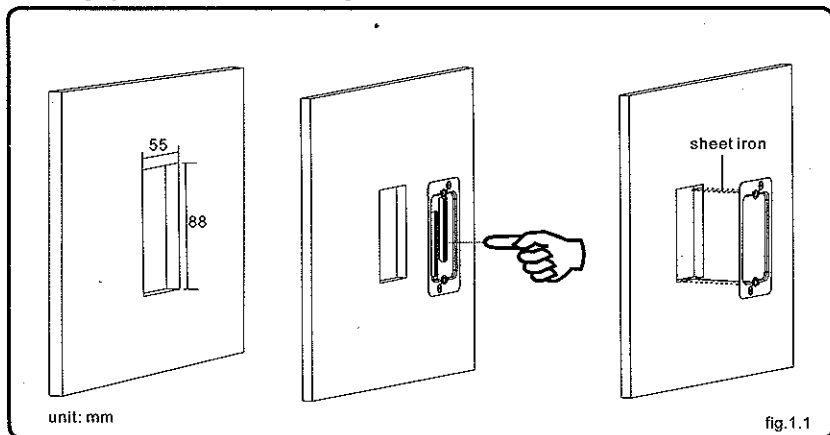


ST3.5x22 screw (x2)

Tools required

- Drywall saw
- 6 Ft. Tape measure
- Pencil
- Screwdriver

- The CS01-S1 is designed to be used with the recessed cable plate.
- Determine the location of your flat panel TV or other audio/video devices.
- Cut a hole in the wall, gently push the two sheet irons inward and then insert the low voltage mounting plate bracket into the hole as shown in fig.1.1.
- Secure tightly with the screws as shown in fig.1.2.





Insert the recessed cable plate into your mounted low voltage mounting plate bracket and secure tightly with the cable plate screws. (the recessed cable plate and the cable plate screws are not included)

