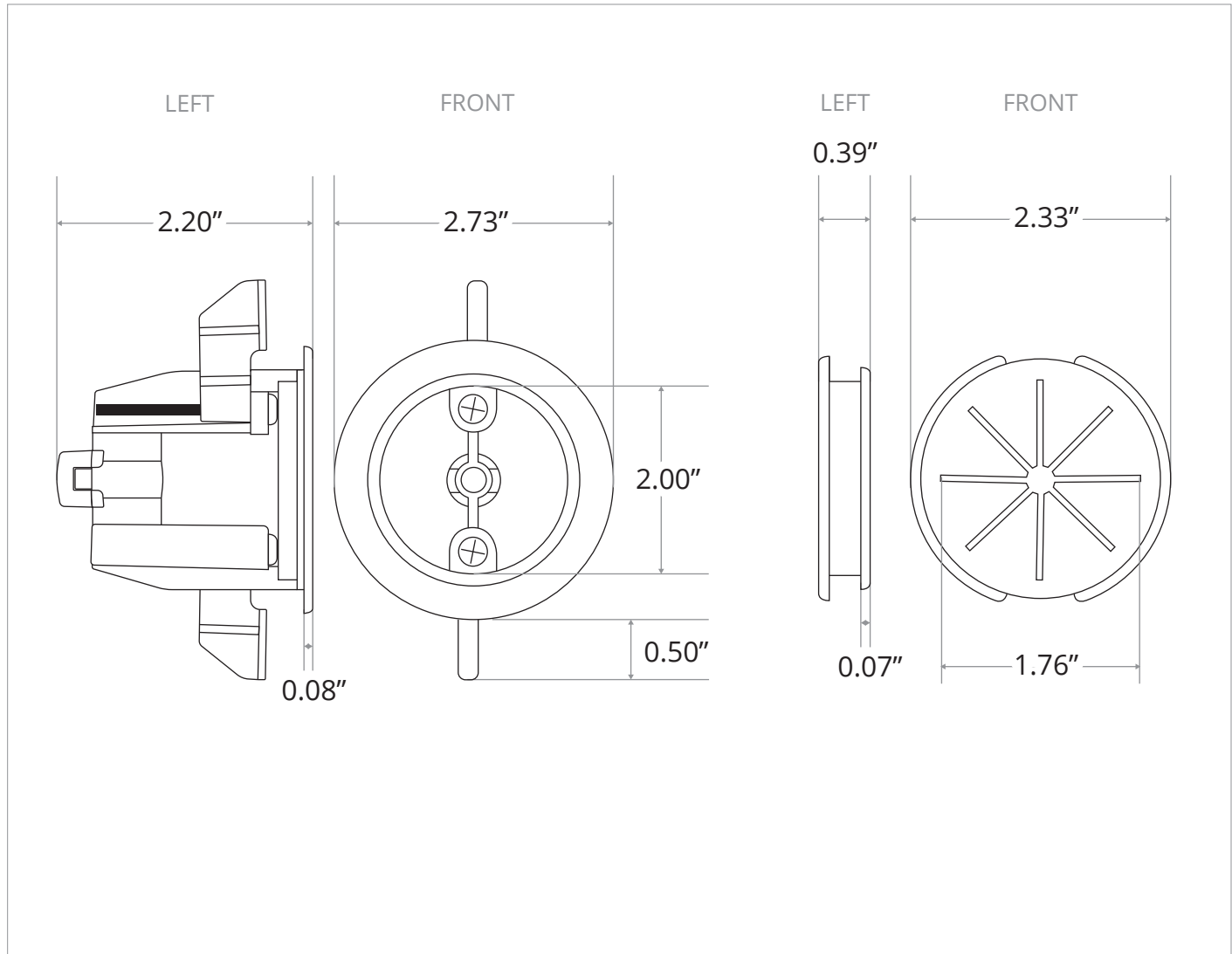


**Speedport™
Universal Cable Pass Through &
Wall Anchor System**

- PN: R2SP-W (qty 1) (White)
 R2SP-B (qty 1) (Black)
 R2SP-A (qty 1) (Almond)
 R2SP-LA (qty 1) (Light Almond)
 R2SP-I (qty 1) (Ivory)
 R2SP-BR (qty 1) (Brown)

Wall Hole Dimensions:
 2.375" Diameter



- 2SP-W (qty 10) (White)
 2SP-B (qty 10) (Black)
 2SP-A (qty 10) (Almond)
 2SP-LA (qty 10) (Light Almond)
 2SP-I (qty 10) (Ivory)
 2SP-BR (qty 10) (Brown)

Multiple
 Patent Pending