

INSTALLATION GUIDE:

**SPEEDPORT™ Universal Cable Pass Through,
Fastening & Anchor System**

*PN: R1SP-
1SP-*

Additional Product Numbers:

Single SPEEDPORT™

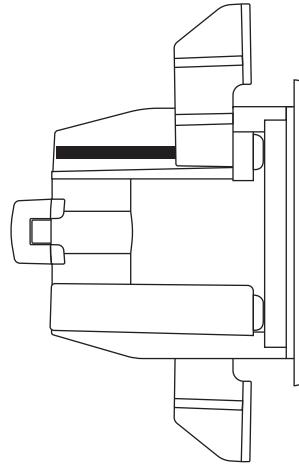
R1SP-W (qty 1) (White)
R1SP-B (qty 1) (Black)
R1SP-A (qty 1) (Almond)
R1SP-LA (qty 1) (Light Almond)
R1SP-I (qty 1) (Ivory)
R1SP-BR (qty 1) (Brown)

Master pack of 5

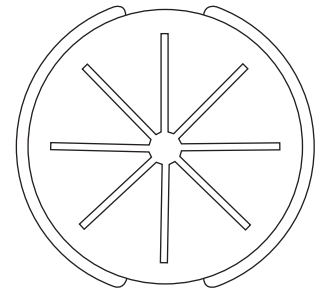
1SP-W (qty 5) (White)
1SP-B (qty 5) (Black)
1SP-A (qty 5) (Almond)
1SP-LA (qty 5) (Light Almond)
1SP-I (qty 5) (Ivory)
1SP-BR (qty 5) (Brown)

SPEEDPORT™ Includes:


SPEEDPORT™ (2")

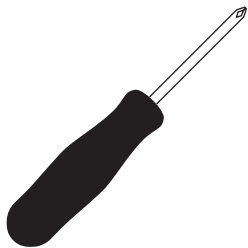


Rubber Grommet

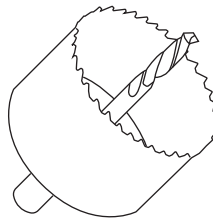


Tools Needed:

Phillips Head 
Screwdriver



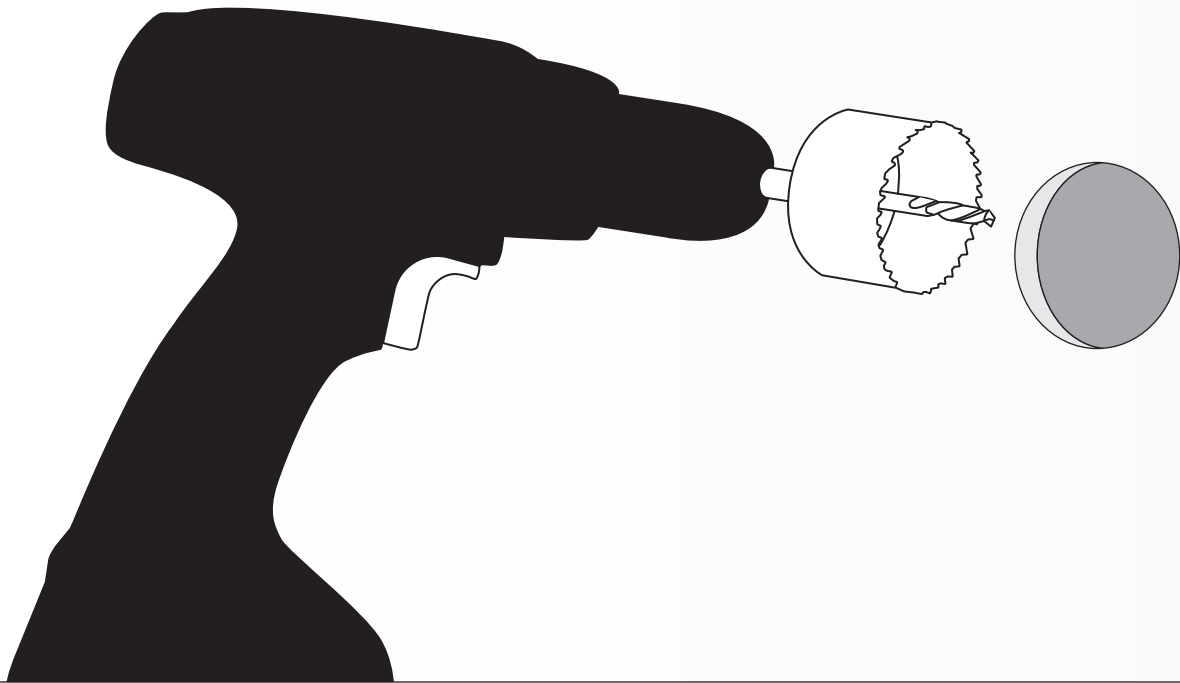
2" Hole Saw



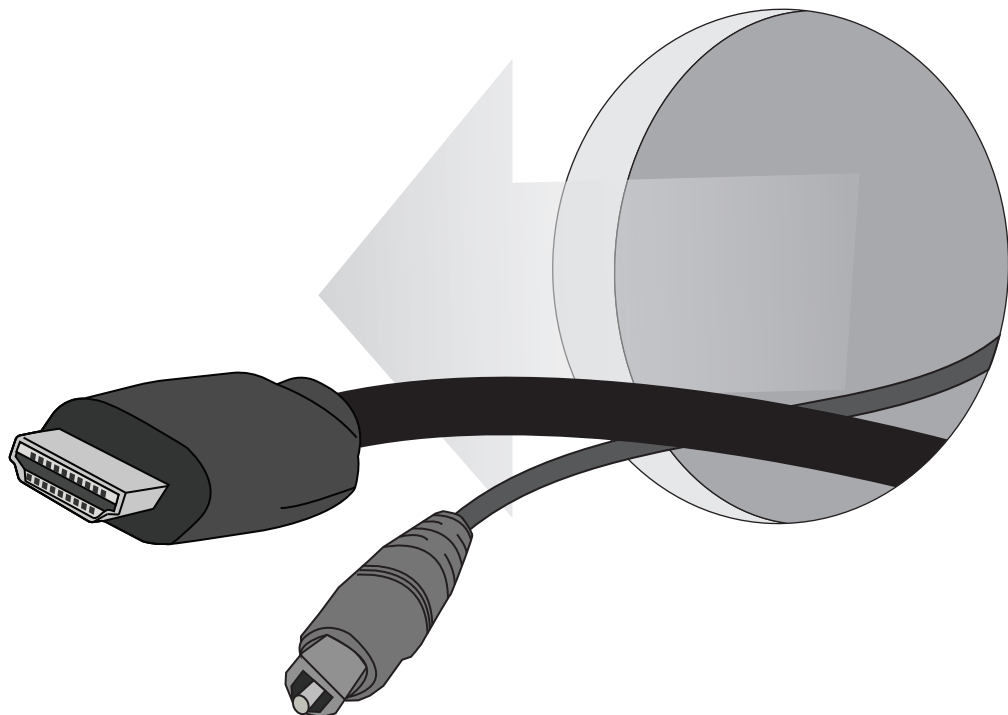
Power Drill



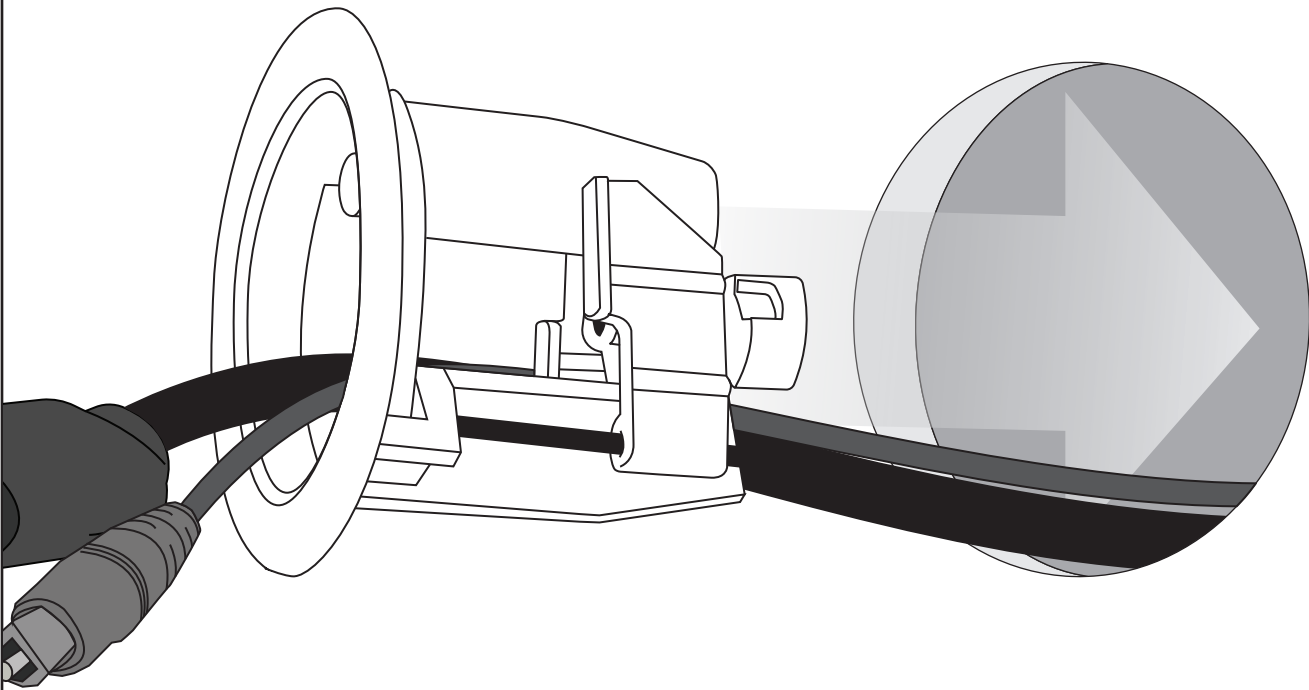
1. Using a 2" hole saw, create a hole in the wall or ceiling where the wiring should pass.



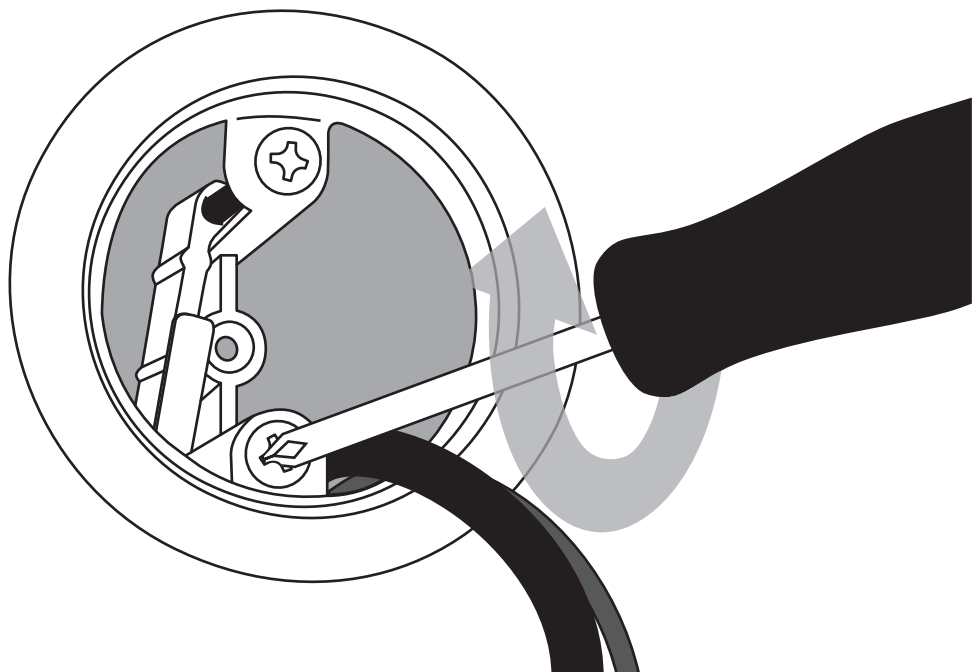
2. Feed wiring out through the opening.



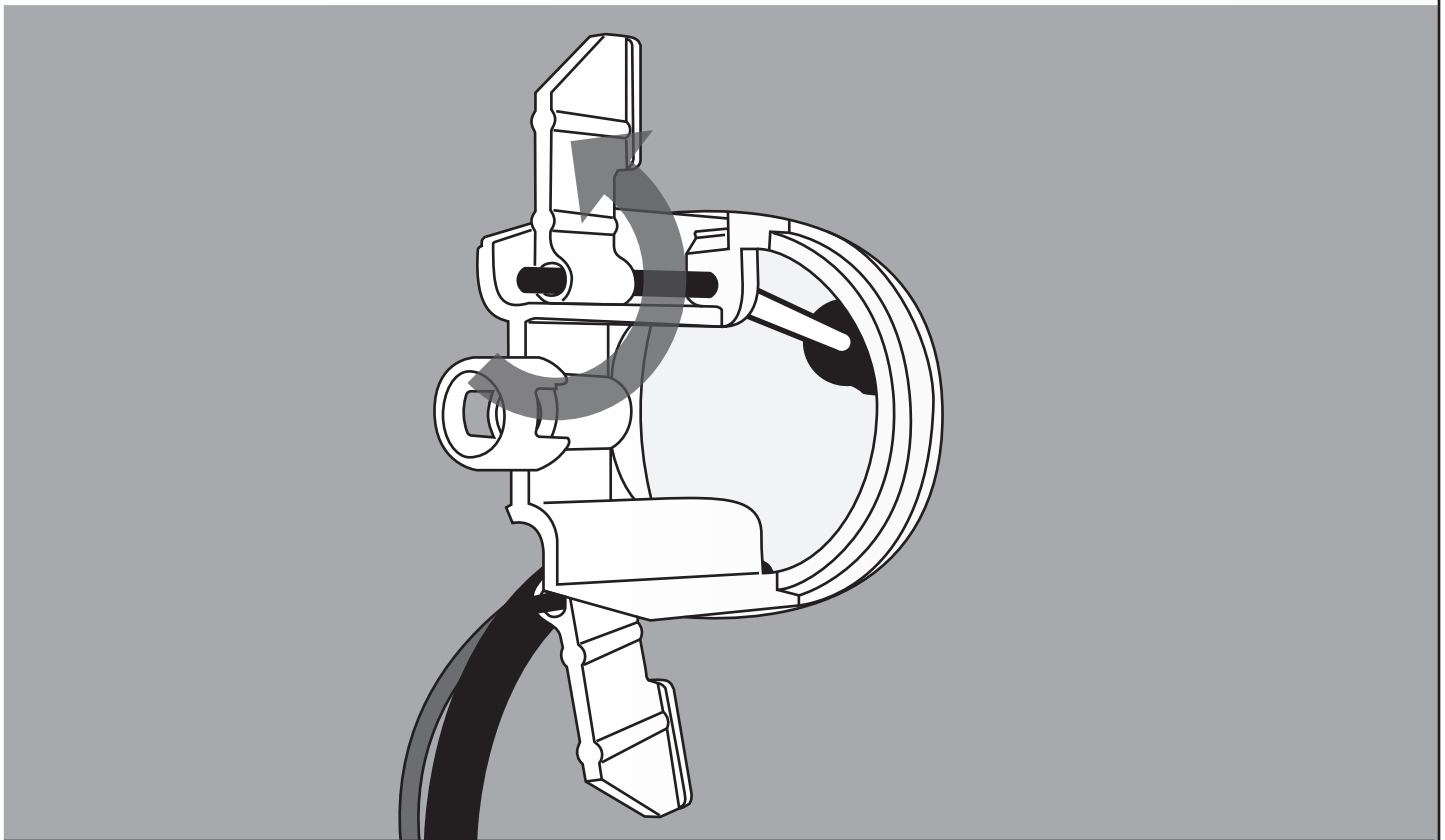
3. Insert wiring through the SPEEDPORT™. Then with the mounting tabs tucked in, insert the SPEEDPORT™ into the opening.



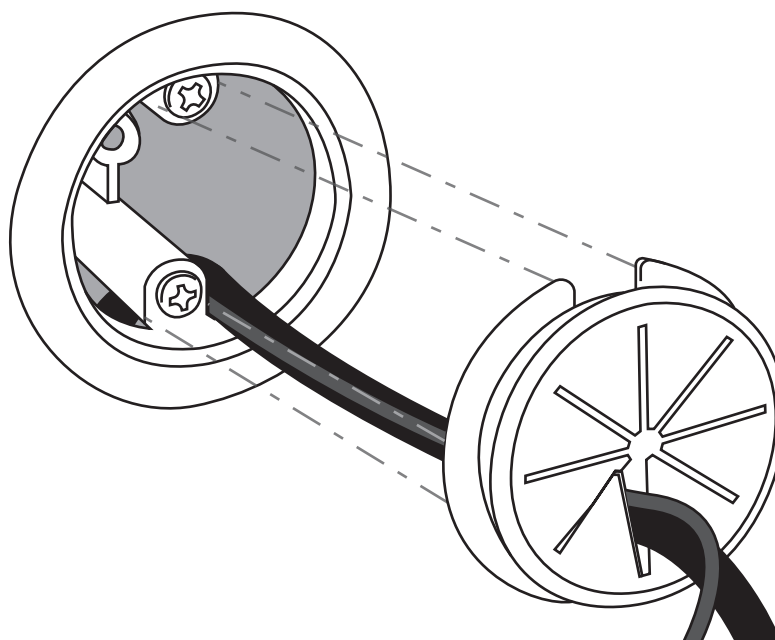
4. Using a Phillips Head Screwdriver, tighten the two screws located on the inside of the SPEEDPORT™.



5. When tightened the screws, the mounting tabs will rotate into place and lock the SPEEDPORT™ against the wall.



6. Feed the wiring through the rubber grommet, align the notches on the grommet with the screw heads and push it into the SPEEDPORT™.



Your SPEEDPORT™ is now installed.

