

Power Jumper[®] IC

**Power Jumper IC™
Sound Bar Power Relocation**
PN: M2PJCSW3

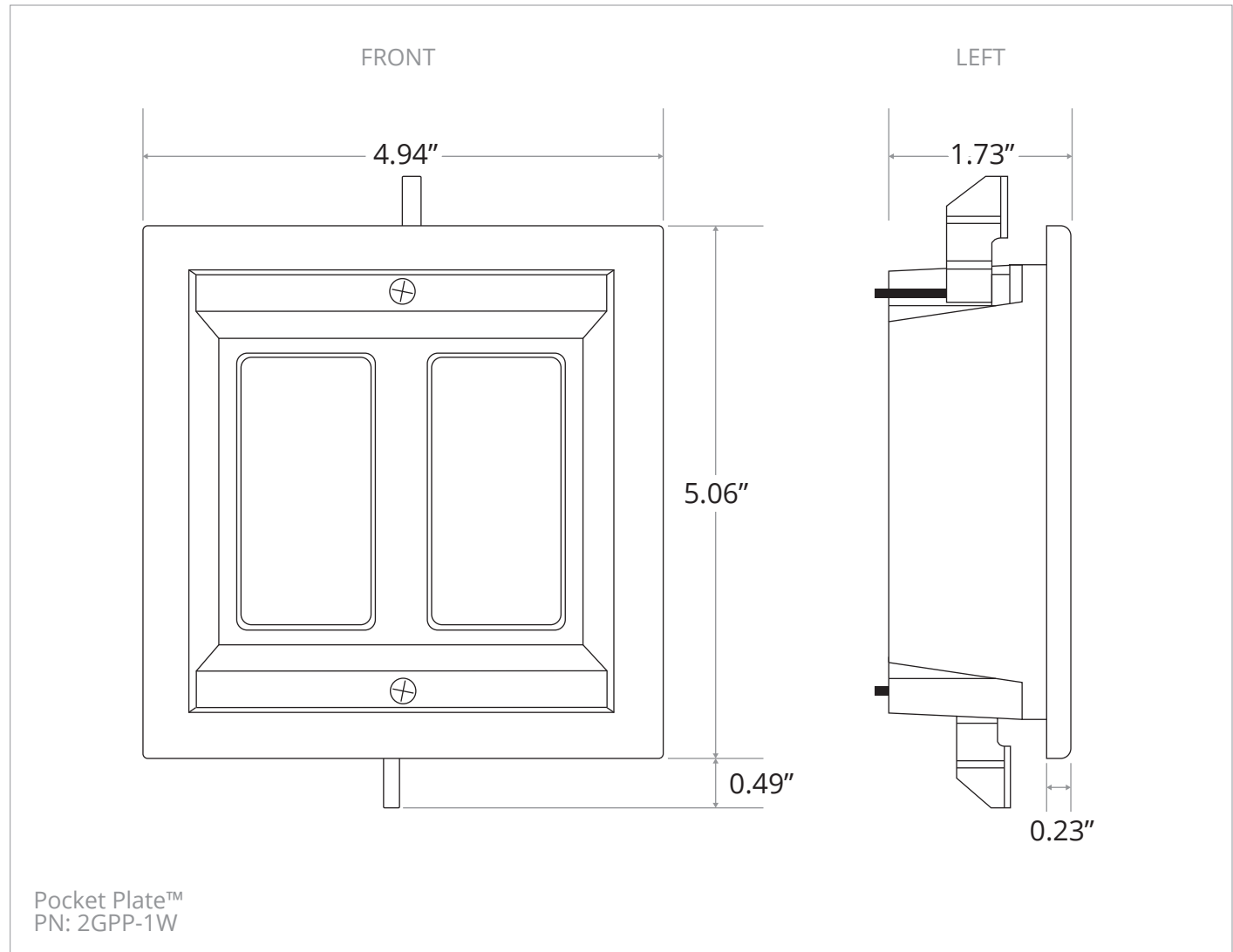
Wall Hole Dimensions:

2-Gang: 4.25x4.5"

1-Gang: 4.25x2.375"

SPEEDPORT™: 2" Diameter

The Power Jumper IC™ has patented components with additional patents pending.



Electrical Rating: 125 VAC, 15 AMPS, 60 Hz
Meets UL 817 & CSA#22.2#21
Interconnect meets UL 2256, 2459
Meets NEC 2014 Article 400.7 (A)(11)

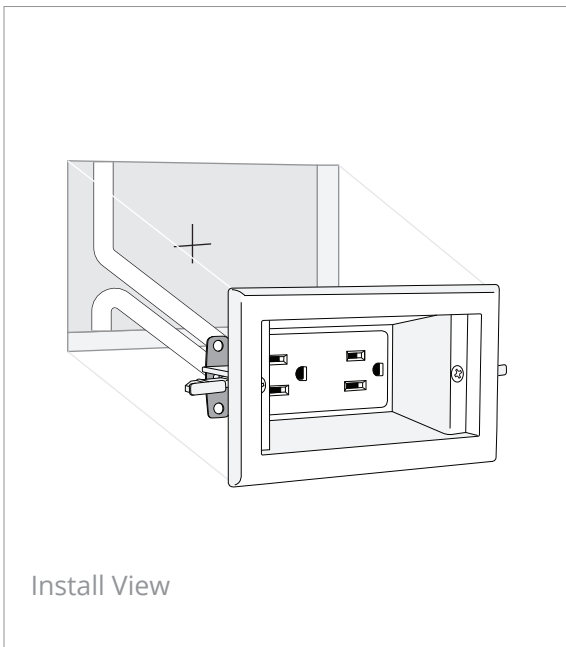


www.midlite.com

115 Wordell St. Fall River, MA 02721

Tel: 508.676.5169 | Toll Free: 800.606.5169 | Fax: 508.861.0105





Power Jumper[®] IC

**Power Jumper IC™
Sound Bar Power Relocation**
PN: M2PJCSW3

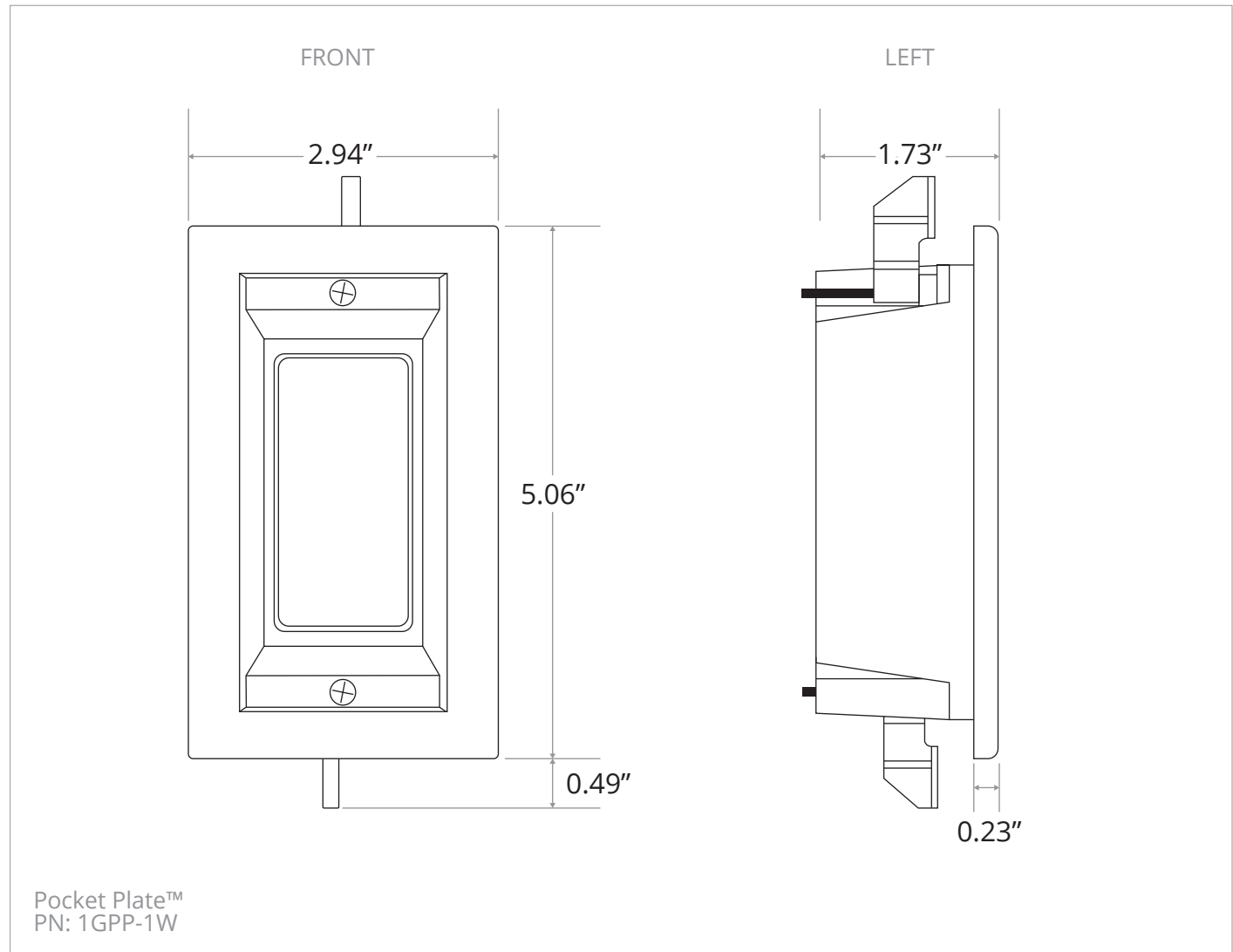
Wall Hole Dimensions:

2-Gang: 4.25x4.5"

1-Gang: 4.25x2.375"

SPEEDPORT™: 2" Diameter

The Power Jumper IC™ has patented components with additional patents pending.



Electrical Rating: 125 VAC, 15 AMPS, 60 Hz
Meets UL 817 & CSA#22.2#21
Interconnect meets UL 2256, 2459
Meets NEC 2014 Article 400.7 (A)(11)

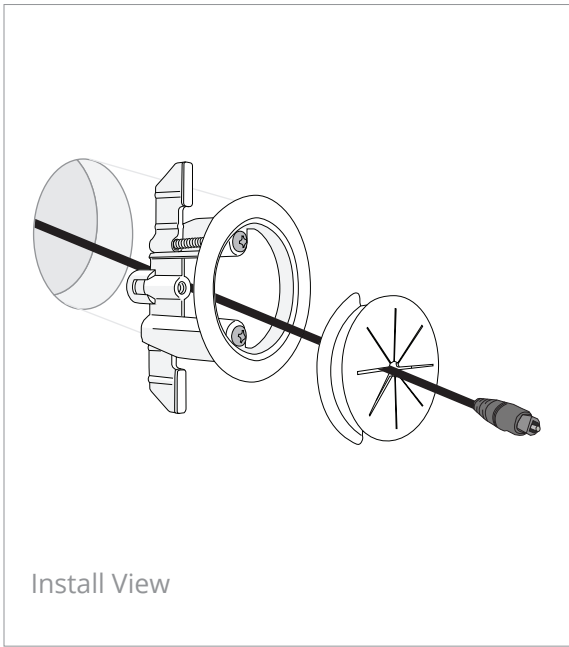


www.midlite.com

115 Wordell St. Fall River, MA 02721

Tel: 508.676.5169 | Toll Free: 800.606.5169 | Fax: 508.861.0105

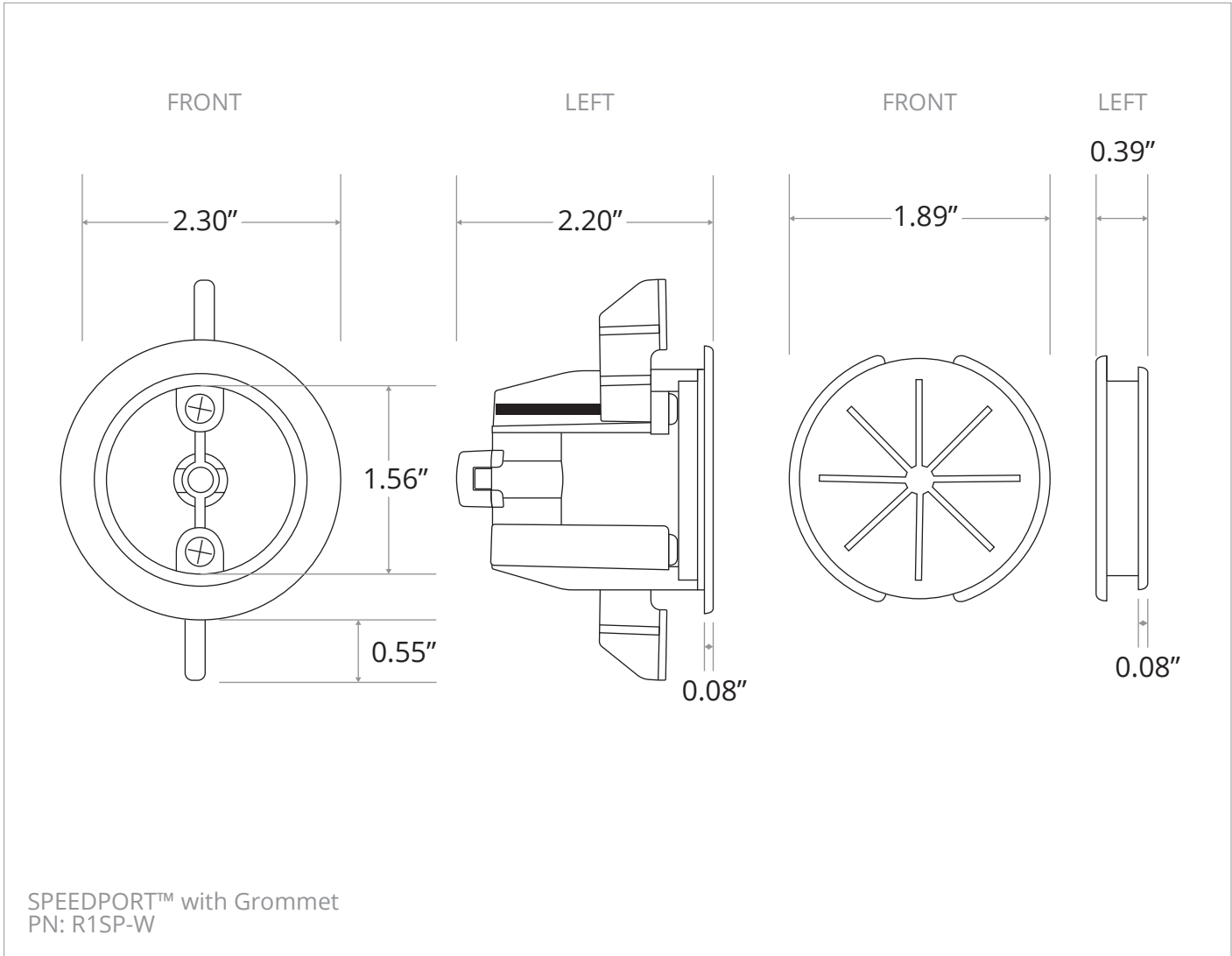




Power Jumper IC™
Sound Bar Power Relocation
 PN: M2PJCSW3

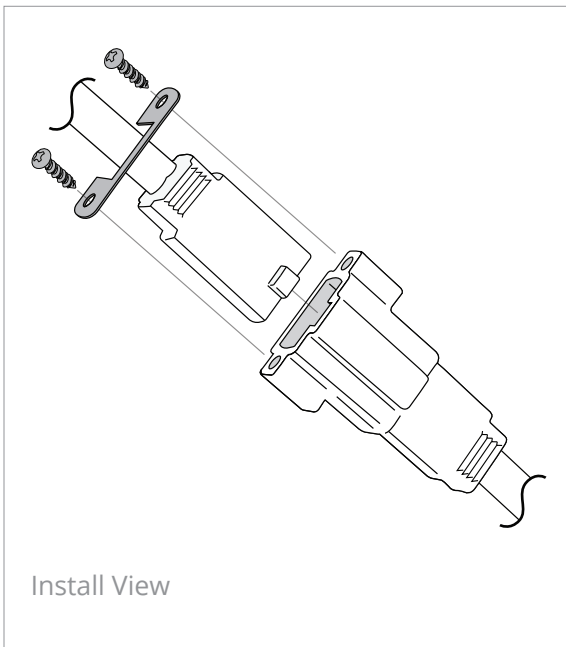
Wall Hole Dimensions:
 2-Gang: 4.25x4.5"
 1-Gang: 4.25x2.375"
 SPEEDPORT™: 2" Diameter

The Power Jumper IC™ has patented components with additional patents pending.



Electrical Rating: 125 VAC, 15 AMPS, 60 Hz
 Meets UL 817 & CSA#22.2#21
 Interconnect meets UL 2256, 2459
 Meets NEC 2014 Article 400.7 (A)(11)

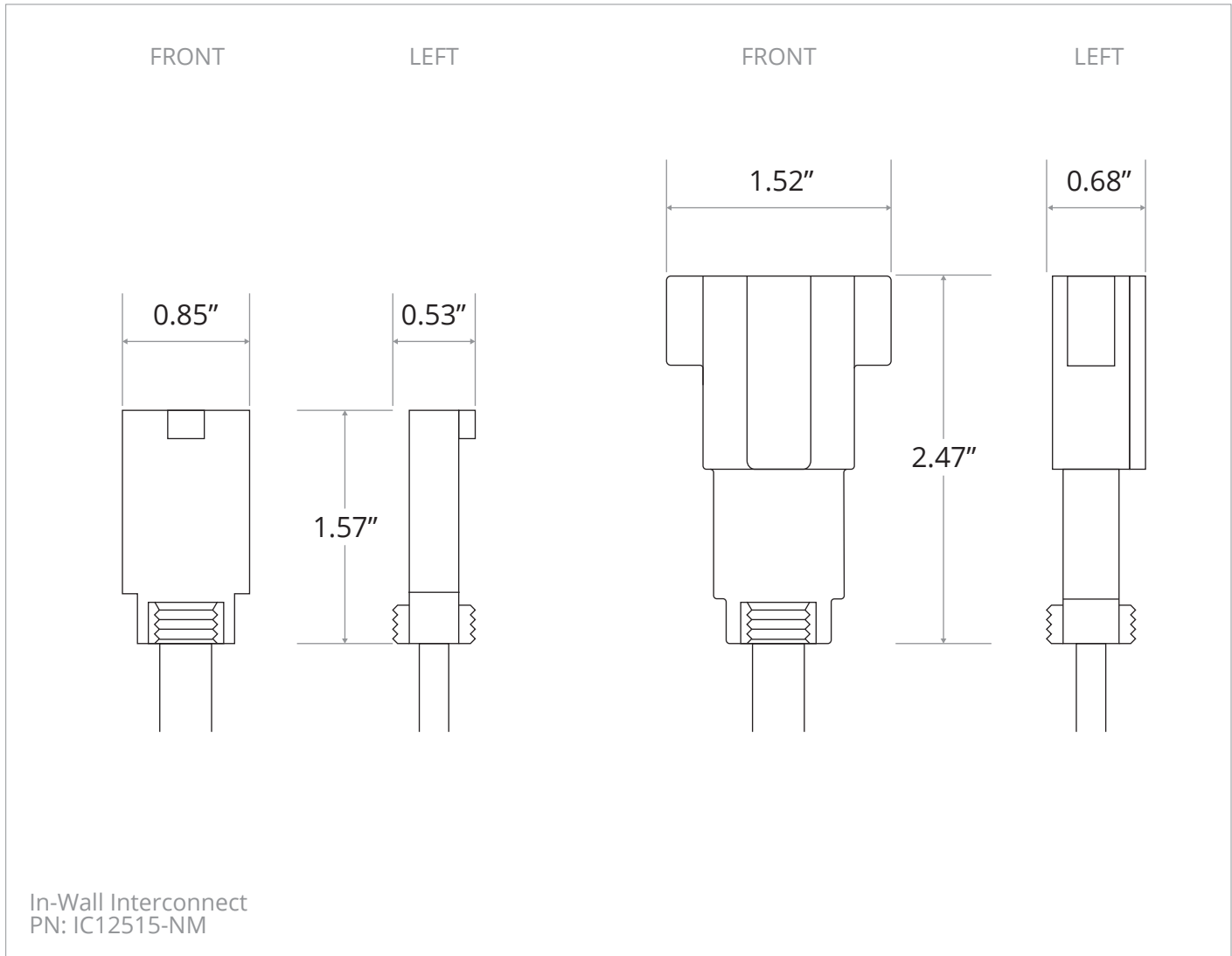




Power Jumper IC™
Sound Bar Power Relocation
 PN: M2PJCSW3

Wall Hole Dimensions:
 2-Gang: 4.25x4.5"
 1-Gang: 4.25x2.375"
 SPEEDPORT™: 2" Diameter

The Power Jumper IC™ has patented components with additional patents pending.



Electrical Rating: 125 VAC, 15 AMPS, 60 Hz
 Meets UL 817 & CSA#22.2#21
 Interconnect meets UL 2256, 2459
 Meets NEC 2014 Article 400.7 (A)(11)

