

IMPORTANT! Read entire instruction sheet before you start installation and assembly.

Parts List

Before you start make sure all parts listed are included with your product.

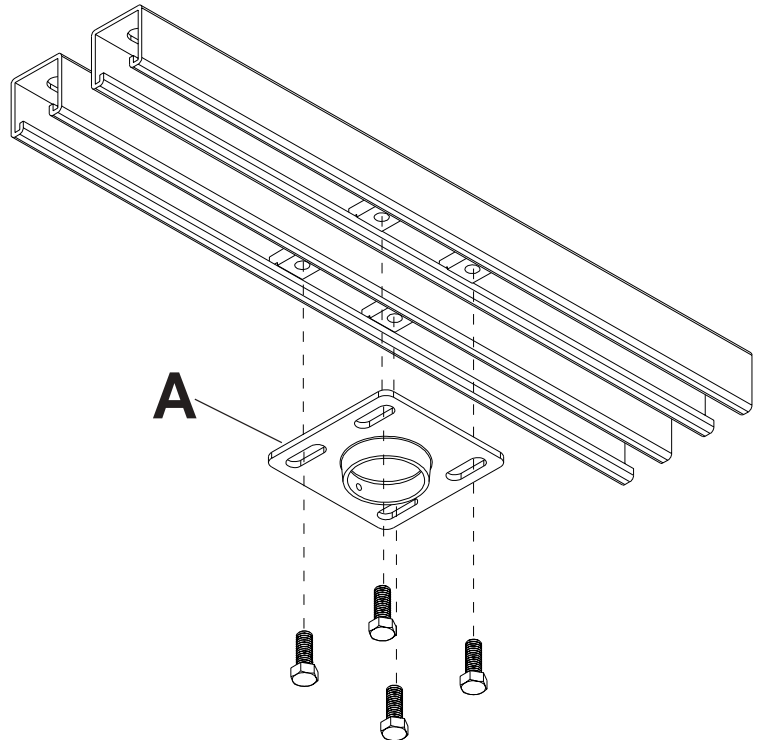
PART #	QTY.	DESCRIPTION
A 100-1007	1	4" x 4" ceiling plate (Model CMJ 300)
100-1008	1	8" x 8" ceiling plate (Model CMJ 310)
B 520-9560	1	10-32 x 1/2" self-tapping screw

Note: Some parts may appear slightly different than illustrated.

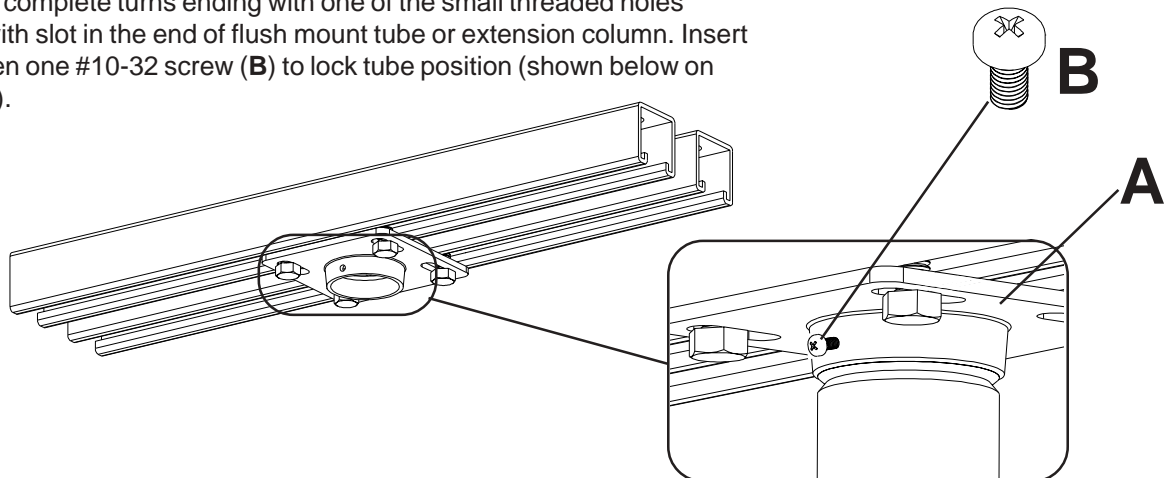
Available Accessories: Concrete Anchor Kit - order accessory kit **ACC 210**. Call Peerless Customer Service.

- 1 Attach plate (A) to **existing** Unistrut™ using four existing spring nuts and 3/8" (max.) screws (**not included**).

Note: For concrete ceiling installation go to page 2.

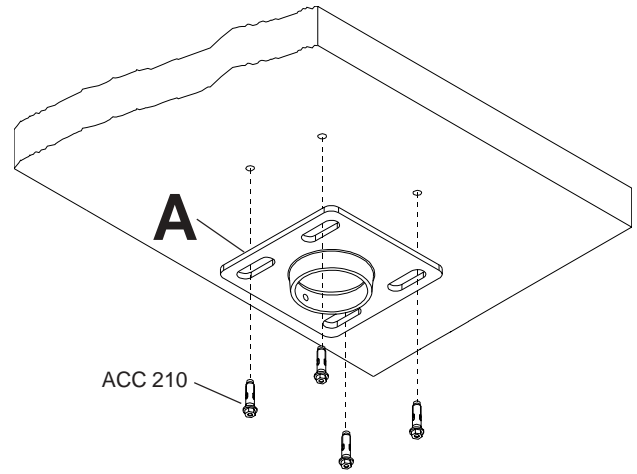


- 2 Once ceiling plate (A) is in desired position, tighten screws. When attaching the ceiling plate (A) to flush mount tube or extension column, tighten at least four complete turns ending with one of the small threaded holes aligned with slot in the end of flush mount tube or extension column. Insert and tighten one #10-32 screw (B) to lock tube position (shown below on right side).



Note: Fasteners for concrete ceilings are not included, order **ACC 210** accessory kit.

- 3** For **Concrete Ceilings** use ceiling plate (**A**) as a template, drill four 5/16" (8 mm) dia. holes to a minimum depth of 1-3/4" (45 mm). Attach using concrete expansion anchors as shown. Tighten to 80 in. • lb (9 N.M.) maximum torque.



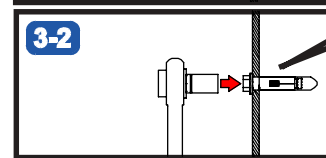
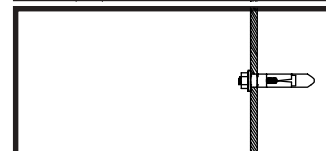
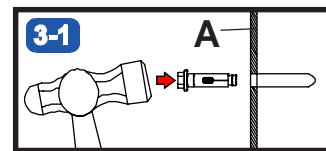
⚠ WARNING

- Make sure that the supporting surface will safely support the combined load of the equipment and all attached hardware and components.
- Never exceed the Maximum Load Capacity of 250 lb (113.4 kg).

- 3-1** Align hole in ceiling plate (**A**) with hole in ceiling. Gently hammer in concrete anchor as shown.
- 3-2** Use a 10 mm wrench (not provided) to tighten concrete anchor to 80 in. • lb (9 N.M.) maximum torque as shown.

⚠ WARNING

- Tighten concrete anchor bolt firmly, but do not over-tighten. Overtightening can damage the bolt, greatly reducing its holding power.
- Never tighten in excess of 80 in. • lb (9 N.M.).



- 3-3** **FOR PRODUCT SAFETY USE ONLY RAWL™ #5005 OR HILTI™ HL814 CONCRETE ANCHORS.** Order **ACC 210** accessory kits, each contains four .312" x 1.625" (8 mm x 41 mm) concrete expansion anchors.

- 3-4** Concrete expansion anchors are **not** intended for attachment to concrete covered with a layer of plaster, drywall, or other finishing material.

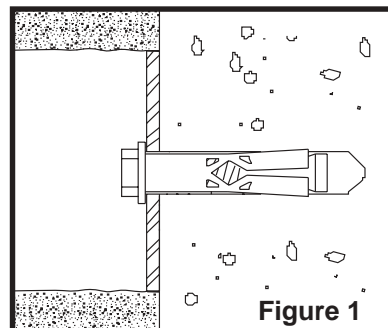
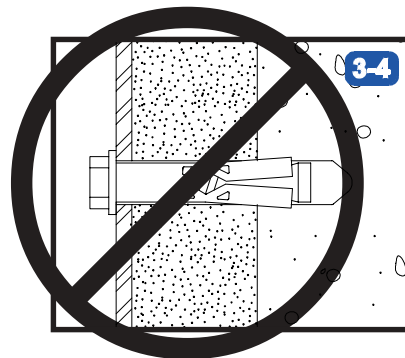
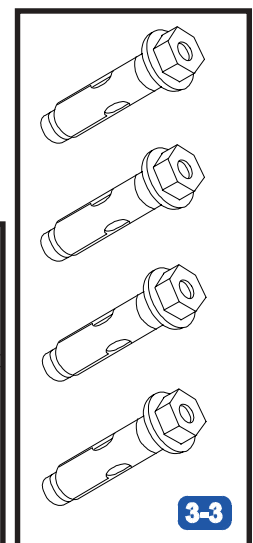


Figure 1



⚠ WARNING

- Always attach concrete expansion anchors directly to load-bearing concrete.
- Never attach concrete expansion anchors to concrete covered with plaster, drywall or other finishing material. If mounting to concrete surfaces covered with a finishing surface is unavoidable, the finishing surface must be counterbored as shown in Figure 1.