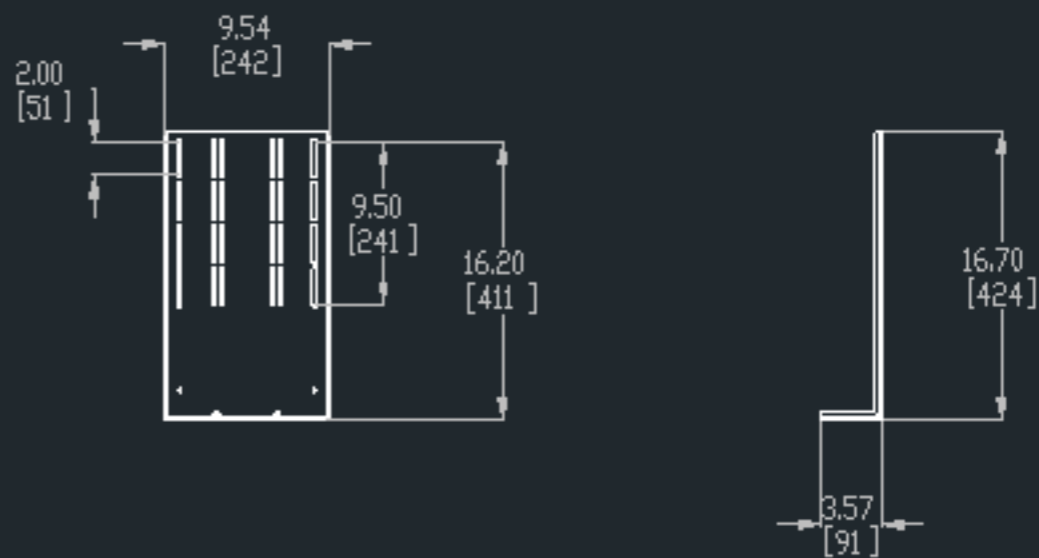


ACC931



ACC932

©2009 PEERLESS INDUSTRIES, INC. ALL RIGHTS RESERVED.
 PEERLESS IS A TRADEMARK OF PEERLESS INDUSTRIES, INC.
 THIS ELECTRONIC INFORMATION IS THE PROPERTY OF
 PEERLESS INDUSTRIES, INC. AND IS PROPRIETARY AND
 CONFIDENTIAL, WHICH MUST NOT BE DUPLICATED, USED,
 DIVULGED, REPRODUCED, COPIED, DISCLOSED OR
 APPROPRIATED IN WHOLE OR IN PART FOR ANY PURPOSE
 UNLESS EXPRESSLY AUTHORIZED IN WRITING BY PEERLESS
 INDUSTRIES, INC. THIS ELECTRONIC INFORMATION MUST BE
 RETURNED PROMPTLY UPON REQUEST.

peerless

INDUSTRIES, INC.
 3215 N. NORTH AVE.
 MELROSE PARK, IL 60160
 (708) 663-2112

ACC931 - ACC932

SCALE

1:1