

Installation and Assembly - Ceiling Plate

Model: ACC 560

Note: Read entire instruction sheet before beginning installation and assembly.

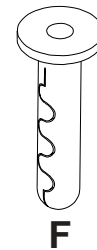
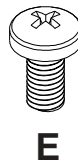
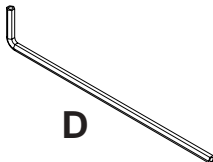
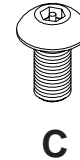
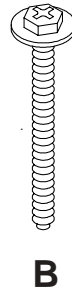
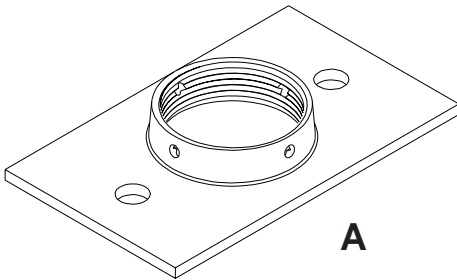
Maximum load capacity:
50 lb (22.7 kg)

⚠ WARNING

- Installer must verify that the supporting surface will safely support the combined weight of mount and projector.

Parts List

Description	Qty.	Part #
A ceiling plate	1	580-1042
B #14 x 2.5" (6 mm x 65 mm) wood screw	2	5S1-015-C03
C M5 x .8 x 10 mm socket pin screw	1	520-1164
D 4 mm allen wrench	1	560-9646
E M5 x .8 x 10 mm phillips screw	1	520-9250
F alligator® anchor	2	590-0097



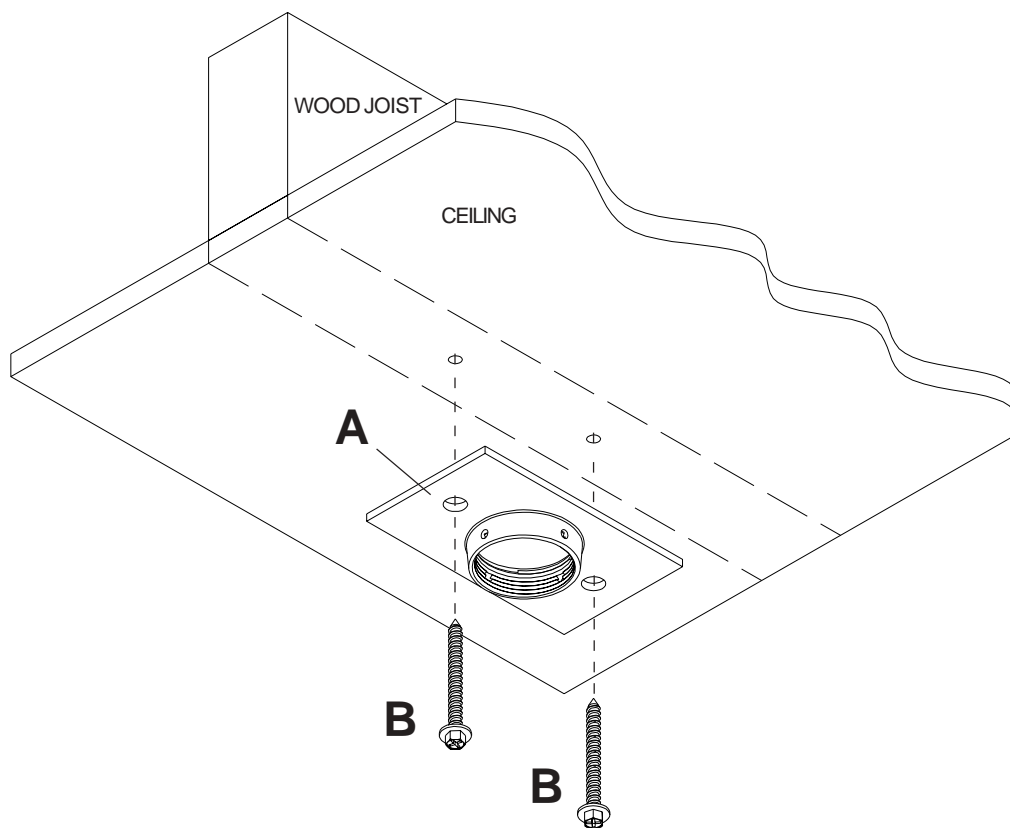
Installation To Wood Joist Finished Ceilings, Exposed Wood Joists, or Wood Beam Ceilings

- 1 Drill two 5/32" (4 mm) dia. holes to a minimum depth of 2.5" (64 mm). Attach ceiling plate (A) with two #14 x 2.5" (6 mm x 65 mm) wood screws (B) as shown using 3/8" (10 mm) socket wrench.

⚠ WARNING

- Installer must verify that the supporting surface will safely support the combined weight of mount and projector.
- Tighten wood screws so that ceiling plate is firmly attached, but do not overtighten. Overtightening can damage the screws, greatly reducing their holding power.
- Never tighten in excess of 80 in • lb (9 N.M.).
- Make sure that mounting screws are anchored into the center of the studs. The use of an "edge to edge" stud finder is highly recommended.

IMPORTANT: Be sure to drill holes into the joist CENTER!



⚠ WARNING

- When installing Peerless wall mounts on concrete, verify that you have a minimum of 1 5/8" of actual concrete surface in the 1/4" diameter hole to be used for the concrete anchors. Do not drill into mortar joints! Concrete must meet ASTM C-90 specifications.
- Concrete must be 2000 psi density minimum. Lighter density concrete may not hold concrete anchor.
- Installer must verify that the supporting surface will safely support the combined weight of mount and projector.
- Never exceed the Maximum Load Capacity of 50 lb (22.7 kg).

Installation to Concrete Ceilings

- 1** Drill two 1/4" (6 mm) dia. holes to a minimum depth of 2.5" (64 mm). Attach ceiling plate (A) using two concrete anchors (F) and two #14 x 2.5" wood screws (B) as shown in **Illustration A** and **1, 2, and 3** (below). Tighten all fasteners.

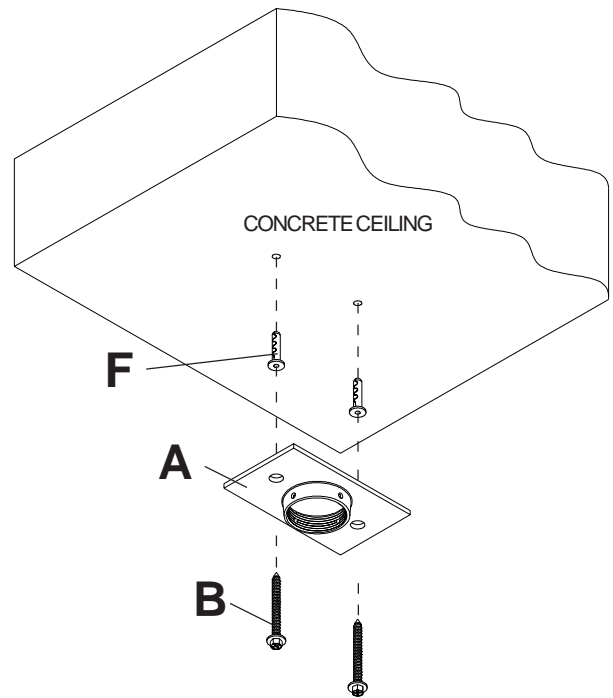
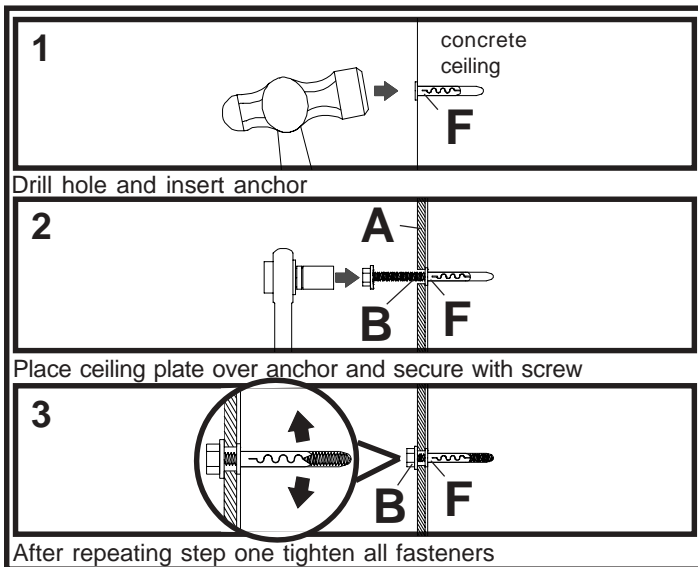


Illustration A

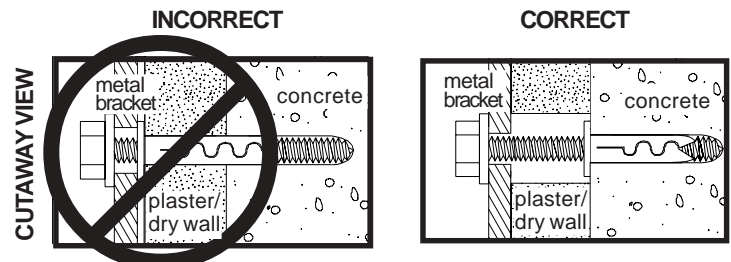
⚠ WARNING

- Tighten wood screws so that wall plate is firmly attached, but do not overtighten. Overtightening can damage the screws, greatly reducing their holding power.
- Never tighten in excess of 80 in • lb (9 N.M.).
- Make sure that mounting screws are anchored into the center of the studs. The use of an "edge to edge" stud finder is highly recommended.



⚠ WARNING

- **FOR DIRECT ATTACHMENT TO LOAD BEARING CONCRETE ONLY!** Concrete expansion anchors are **not** intended for attachment to concrete ceilings covered with a layer of plaster, drywall, or other finishing material. If mounting to concrete ceiling covered with plaster / drywall is unavoidable, plaster / drywall must be counterbored as shown below.



Installation to Extension Column

- 2 Screw extension column to ceiling plate (A). Align the notch with one of the four holes in the ceiling plate (A) and secure extension column with a M5 x 10 phillips screw (E) or a M5 x 10 mm socket pin screw (C) using security allen wrench (D). **See detail 1.**

