


**Middle Atlantic Products**

EXCEPTIONAL SUPPORT &amp; PROTECTION™

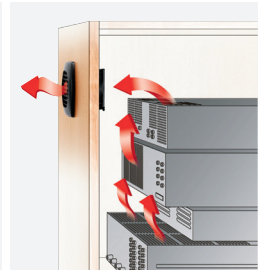
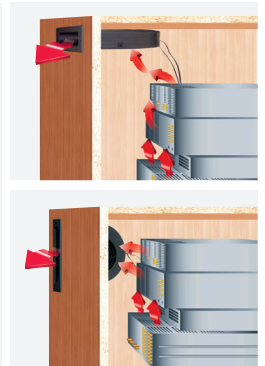
# Quiet-Cool Series Cabinet Cooler



**Powerful and quiet way to remove heat from credenzas, lecterns, and entertainment centers**

## Features

- Extends equipment life
- Removes heat from smaller cabinets and entertainment centers
- 20, 40 and 50 CFM models available
- Can be painted to match aesthetics of any environment
- Designed to pull hot air up out of a cabinet and direct it where desired
- Fan activates automatically at 87°F/30.5°C, turns off at 85°F/29°C


**CAB-COOL**

**CAB-COOL50**


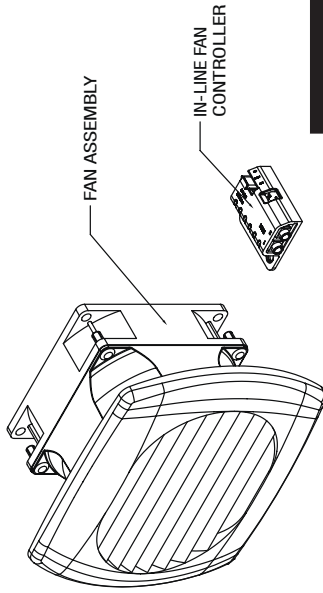
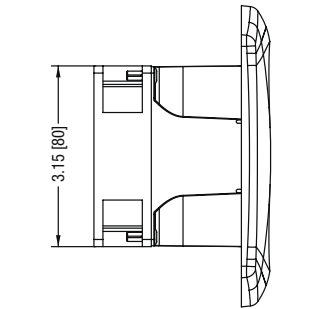
## Architects' and Engineers' Specifications

Cabinet Cooler shall be Middle Atlantic Products model # (1)CAB-COOL\_\_ (See chart). Cabinet Cooler shall have a black finish. Cabinet Cooler shall activate at 87°F (30.5°C), and switch off at 85°F (29.4°C). Cabinet Cooler shall displace \_\_ (20, 40, 50) CFM with maximum decibel level of \_\_ (24, 27, 29) dB (measurements made 1 meter from source, centered horizontally and vertically). Cabinet Cooler shall include \_ (1, 3) fans, and one fan controller/temperature sensor. The Cabinet Cooler requires \_\_ (refer to chart) cutout. The Cabinet Cooler (CAB-COOL only) mounts in material which has a thickness no great than 1-1/2". Cabinet Cooler shall meet applicable requirements under the Low Voltage Directive 2006/95/EC and EMC Directive 2004/108/EC. Cabinet Cooler shall be GREENGUARD Indoor Air Quality Certified for Children and Schools. Cabinet Cooler shall comply with the requirements of the RoHS EU Directive 2002/95/EC. Cabinet Cooler shall be manufactured by an ISO 9001 and ISO 14001 registered company. Cabinet Cooler shall be warranted to be free from defects in materials and workmanship under normal use and conditions for a period of 3 years. Cabinet Cooler shall include a UL Listed 12V DC power supply and temperature probe with a 9' cord.

**CUSTOMIZABLE SPECIFICATION CLIPS AVAILABLE AT MIDDLEATLANTIC.COM**

# Quiet-Cool Series Cabinet Cooler basic dimensions

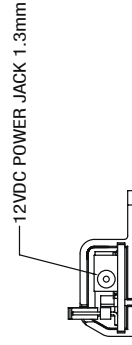
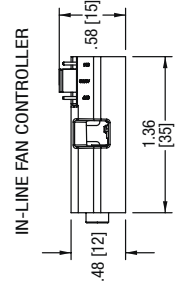
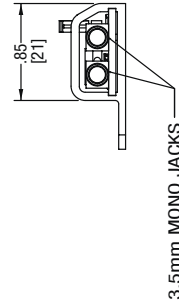
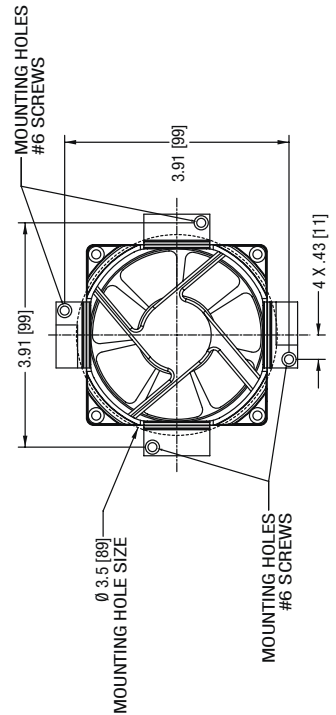
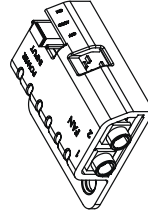
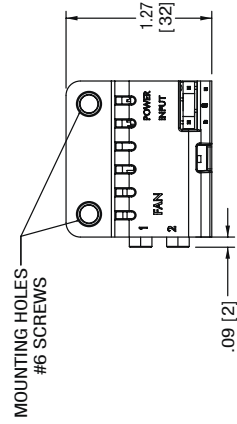
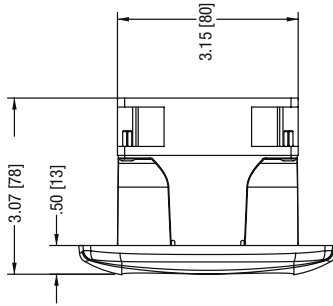
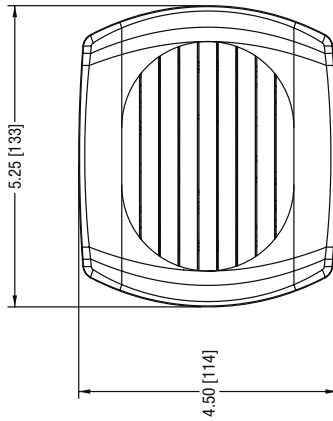
All dimensions in inches unless otherwise noted [All dimensions in brackets are in millimeters]



**Notes:**

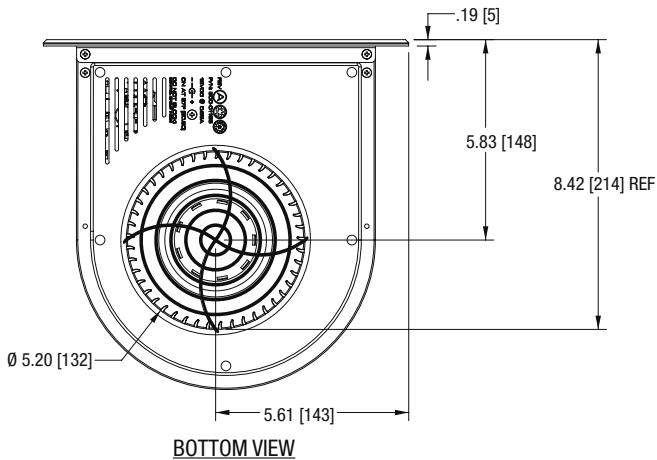
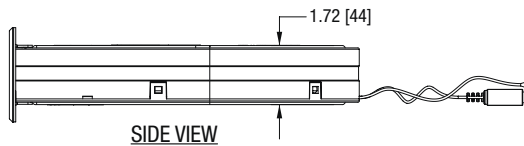
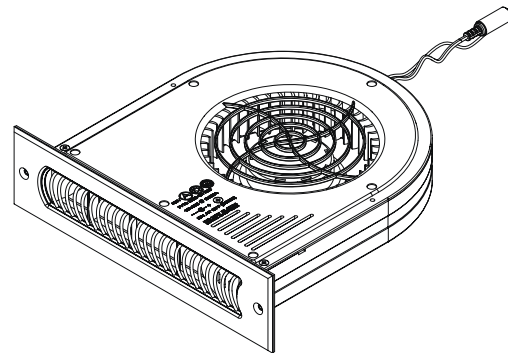
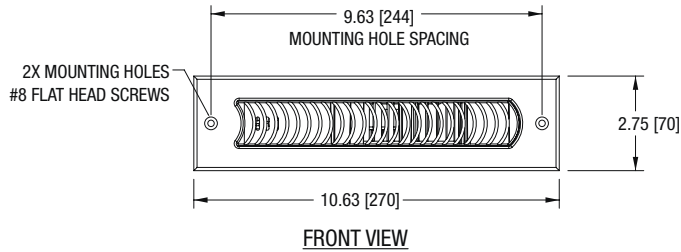
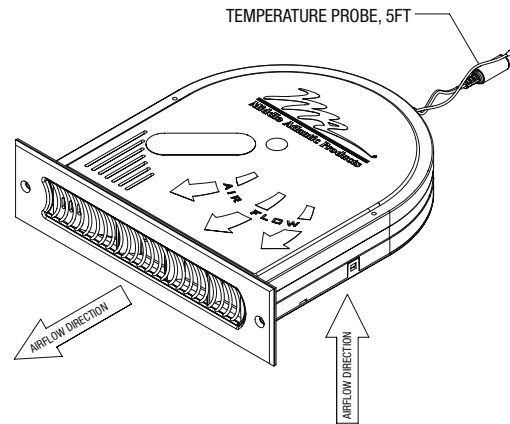
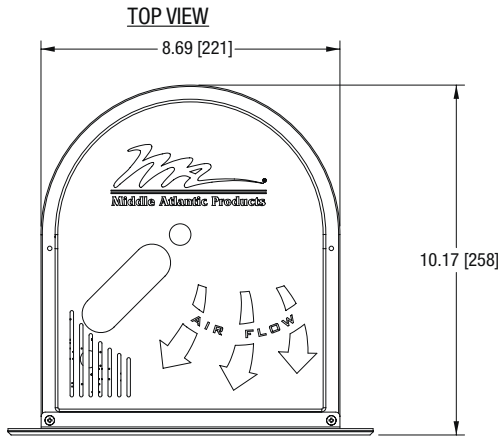
1. Cable length as follows:  
Power Supply 72 (1829)  
Fan Control 72 (1829)
2. "1" Prefix indicates 220V model and comes with adapters
3. "-2" Suffix indicates dual unit CAB-COOL, which consists of (2) fan assemblies, (1) in-line fan controller, and (1) power supply.

Part #	Power Requirements	CFM	M3/ MIN	dBa @ 1 meter
(1) CAB-COOL	12VDC @ 120mA	20	57	24
(1) CAB-COOL-2	12VDC @ 240mA	40	113	27



# Quiet-Cool Series Cabinet Cooler 50 CFM basic dimensions

All dimensions in inches unless otherwise noted [All dimensions in brackets are in millimeters]



**Notes:**

1. Mounting cutout dimensions: 9.0 [229] X 2.0 [51]
2. Fan specifications  
 Airflow: 50 CFM [1.4 M<sup>3</sup>/min]  
 Current draw: 550mA @ 12 VDC  
 Sound level: 29 dBA @ 1 M  
 Static pressure: 0.31 In H<sub>2</sub>O [77.22 Pa]  
 Turn on: 87°F [30.5°C]  
 Turn off: 85°F [29.4°C]
3. CAB-COOL50 shown. International model, ICAB-COOL50, comes with an universal voltage plug-in power supply and adapters.

