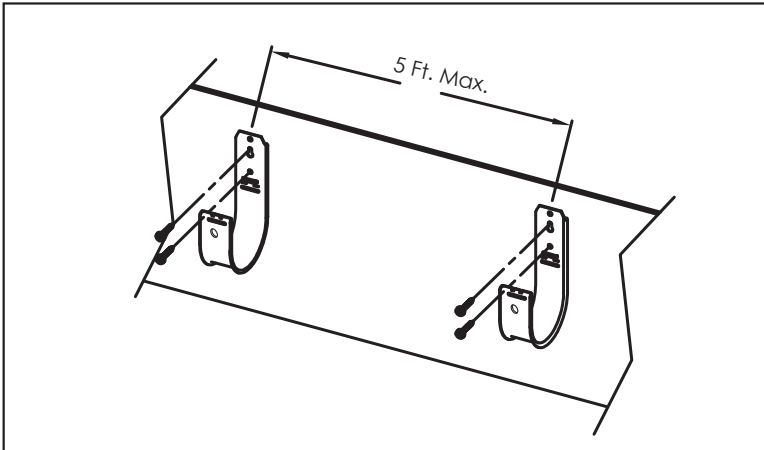
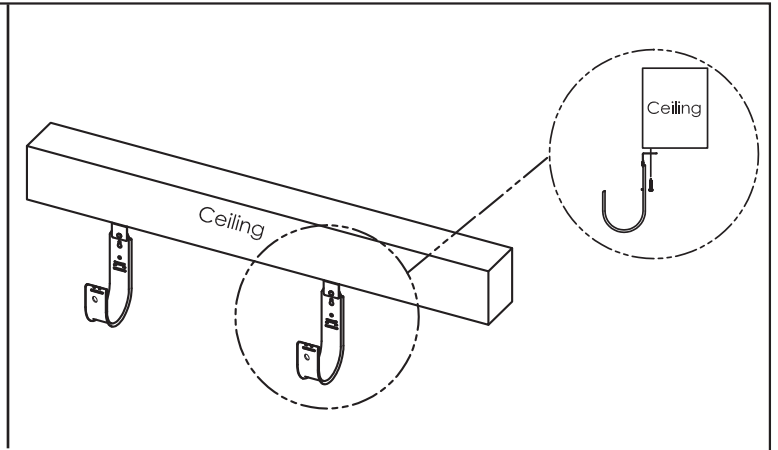


# Wall and Ceiling Mount J-Hooks

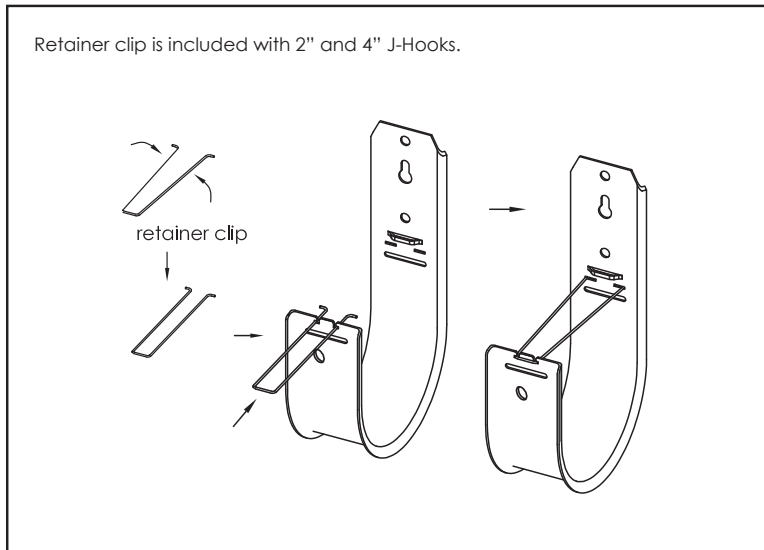
## I N S T A L L A T I O N I N S T R U C T I O N S



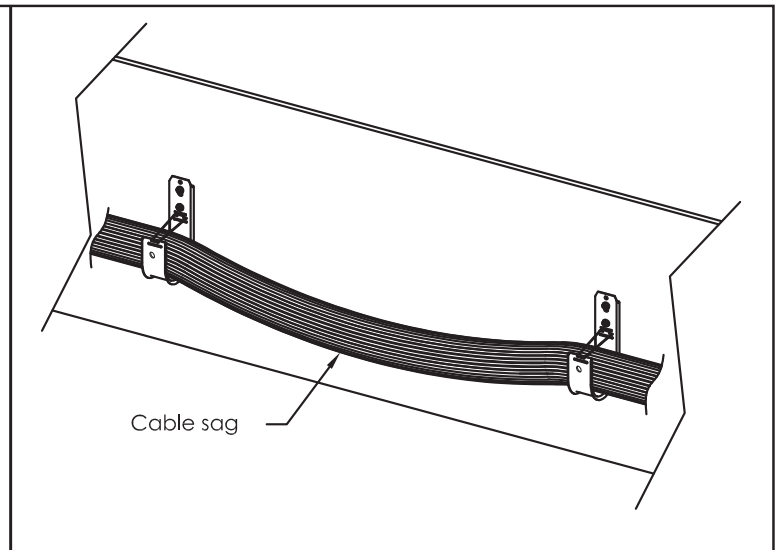
Place up to 5 Ft. maximum apart to limit sagging.



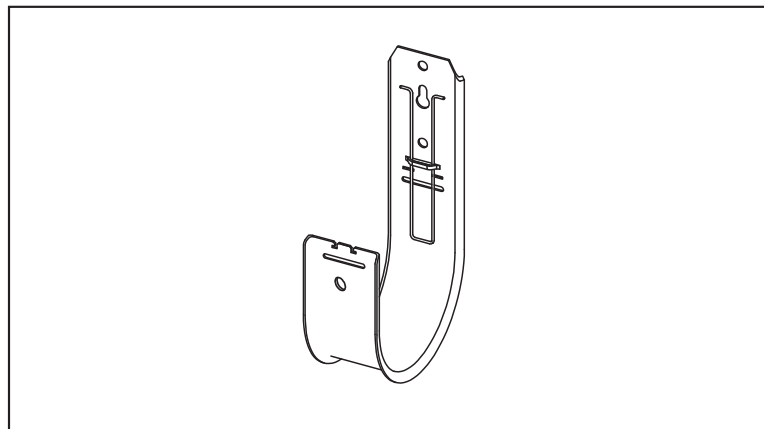
Angled version can be installed under ceiling.



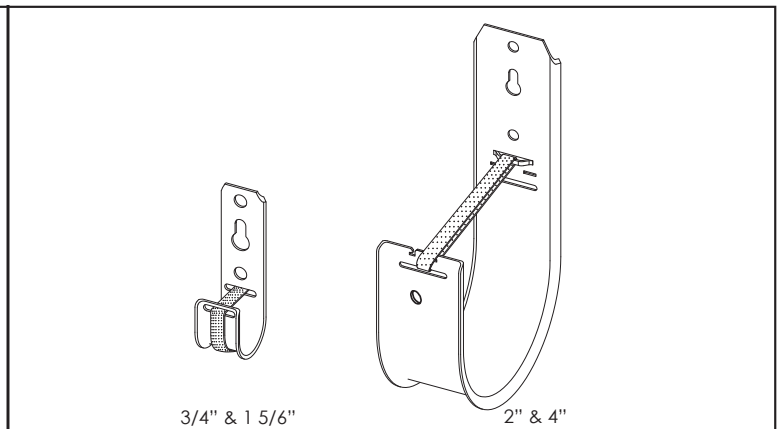
Squeeze clip to insert into J-Hook.



Cable sag shall not exceed 12 inches.



If retainer clip is not used, store in retainer clip holder.



J-Hook supports Velcro® and cable ties.

NOTE: Installer is responsible for making sure J-Hook installation meets all safety codes.