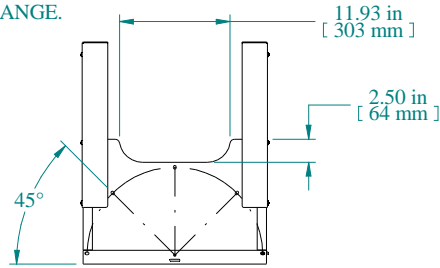
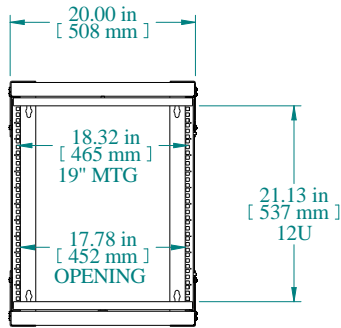
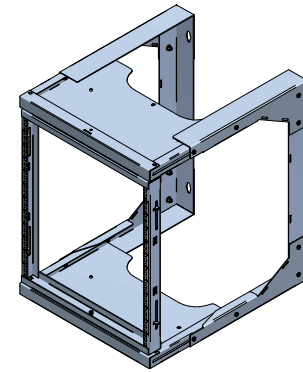


PART No.	A (Depth)	B (Depth)	C (Depth)
	Overall	Useable	Top/Btm U Usable
HWMR1912U	18.0" - 24.0"	15.1" - 21.1"	12.4" - 18.4"

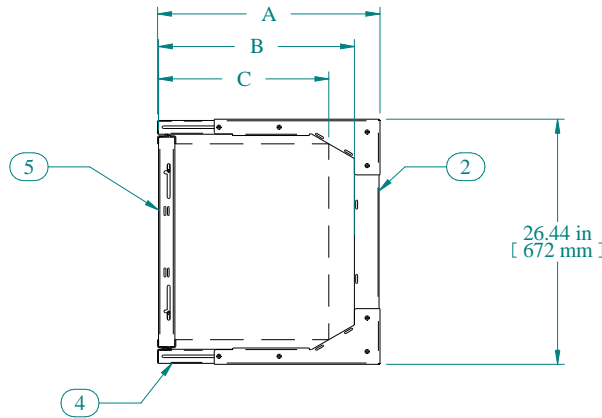
NOTE: DEPTH IS FULLY ADJUSTABLE WITHIN RANGE.



TOP VIEW

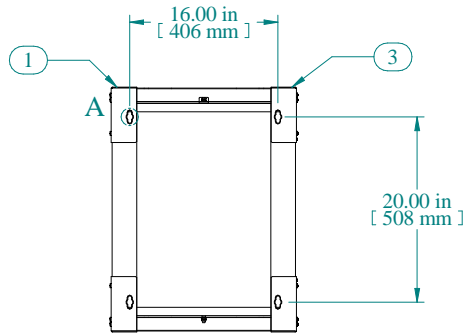


FRONT VIEW

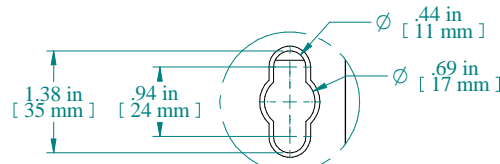


SIDE VIEW

Item Number	Title	Quantity
1	HWMR - MAIN SUPPORT BRKT RH	2
2	HWMR - VERT WALL BRKT	2
3	HWMR - MAIN SUPPORT BRKT LH	2
4	HWMR - TOP/BTM SUPPORT	2
5	HWMR - SWING FRAME ASSY	1
6	HME - SWING FRAME SPACER	1
PART NUMBERS		
HWMR1912U	PAINTED BLACK THIN FILM	



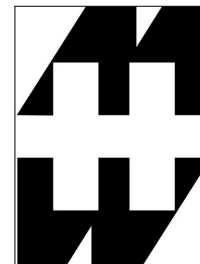
REAR VIEW
WALL MOUNT DIMENSIONS



DETAIL A
MOUNTING HOLES
TYP 4 PLCS

NOTES	
Adjustable depth and rotating rack	
Shipped knockdown, includes assembly hardware	
NO MOUNTING HARDWARE INCLUDED	
See Hammond Website for Additional Accessories	

Data subject to change without notice. Isometric drawing not to scale.



**HAMMOND
MANUFACTURING™**

www.hammondmfg.com

PART NO. HWMR1912U