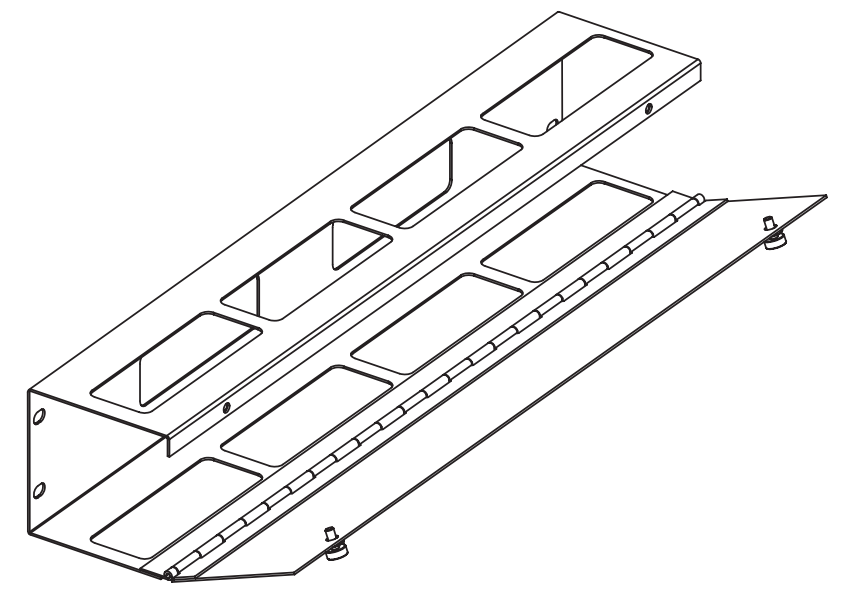
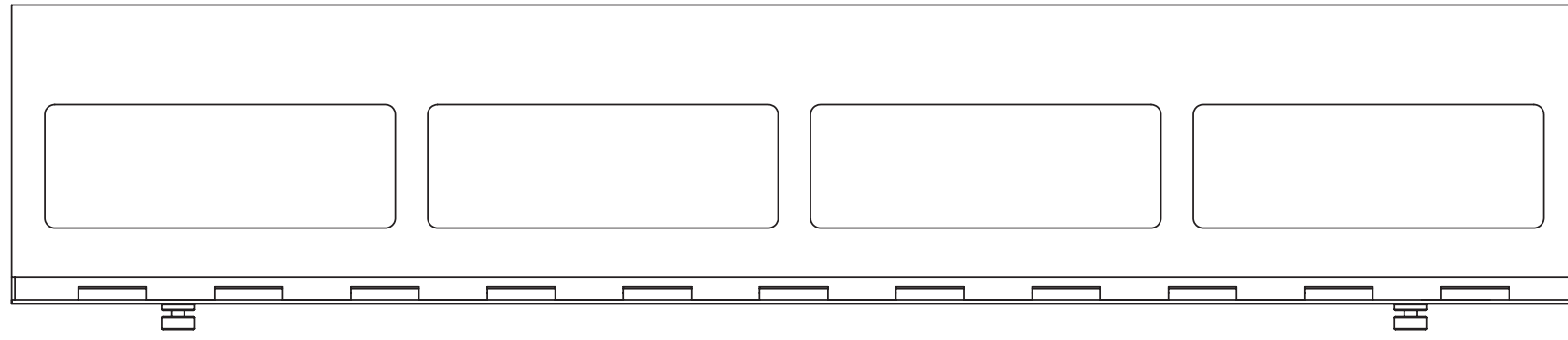
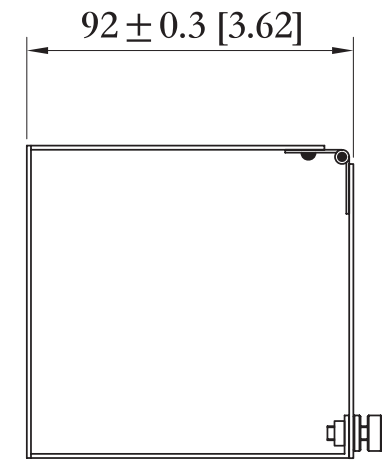
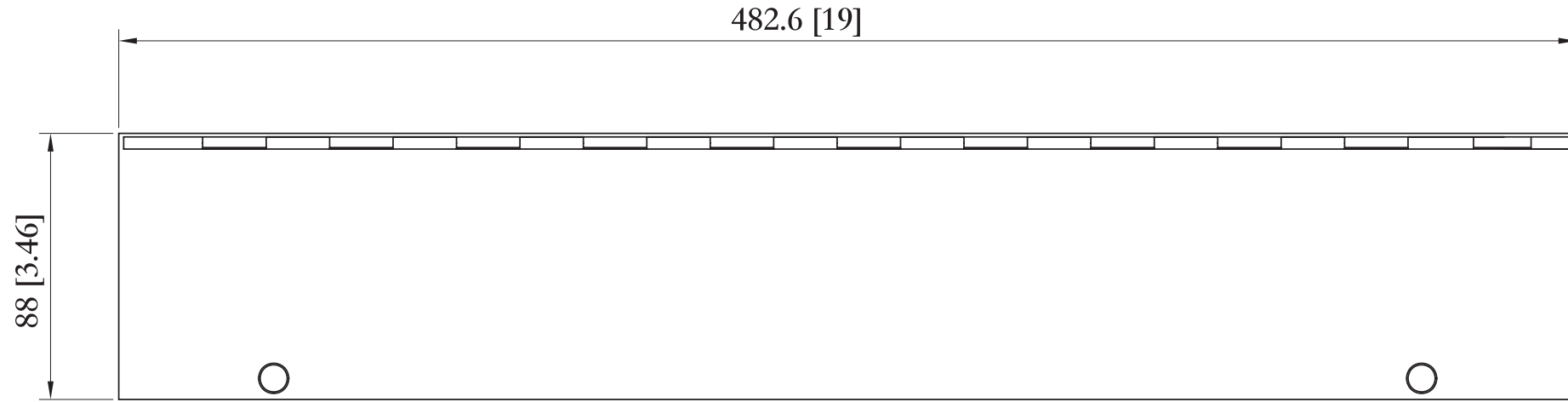


# Technical Drawing



- Note:**
1. Dimensions are in mm and inches. Do not scale drawing
  2. The information contained in this drawing is the sole property of Toten Canada

**General Tolerances (GB1804-m)**

Dimension Segment	Tolerance	Dimension Segment	Tolerance	Design	Date
2000~4000	± 2.0	30~120	± 0.3	Drawn Approval	Date
1000~2000	± 1.2	6~30	± 0.2	Customer Approval	Date
400~1000	± 0.8	3~6	± 0.1	Model Approval	Date
120~400	± 0.5	0.5~3	± 0.1	Model Approval	Date

Model	CM2UHD	Coating	Epoxy coated		
		Material	SPCC δ=1.2		
Name	2U Horizontal Hinged Cable Management	Quantity	Weight	Ratio	
		1		1:5	
DWG#		Page Num:	Total Pages:		

