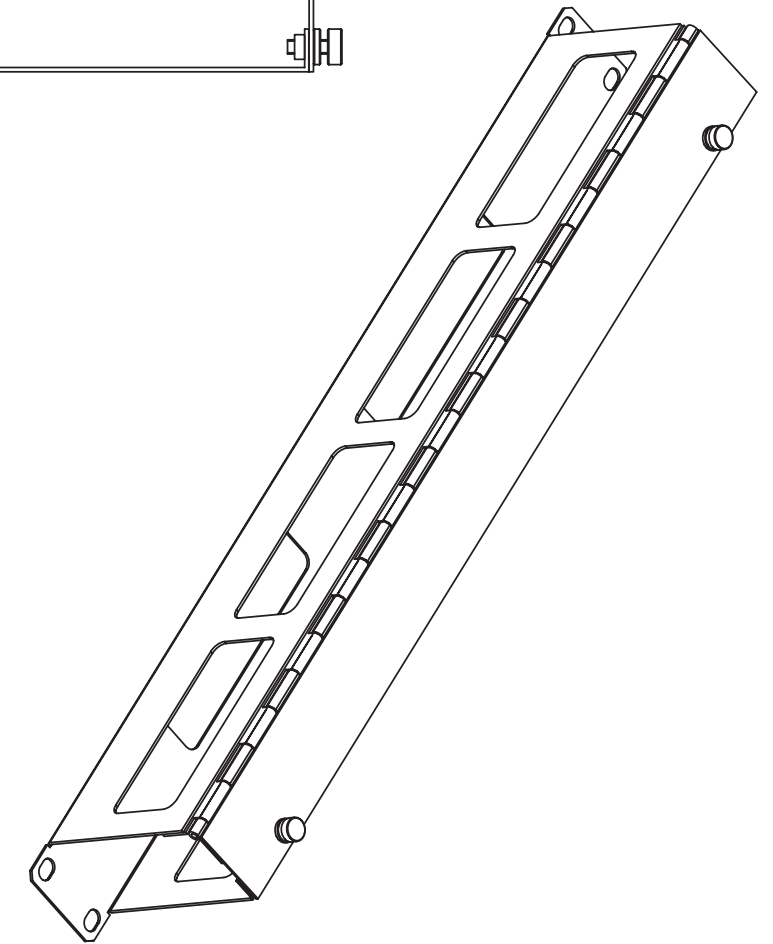
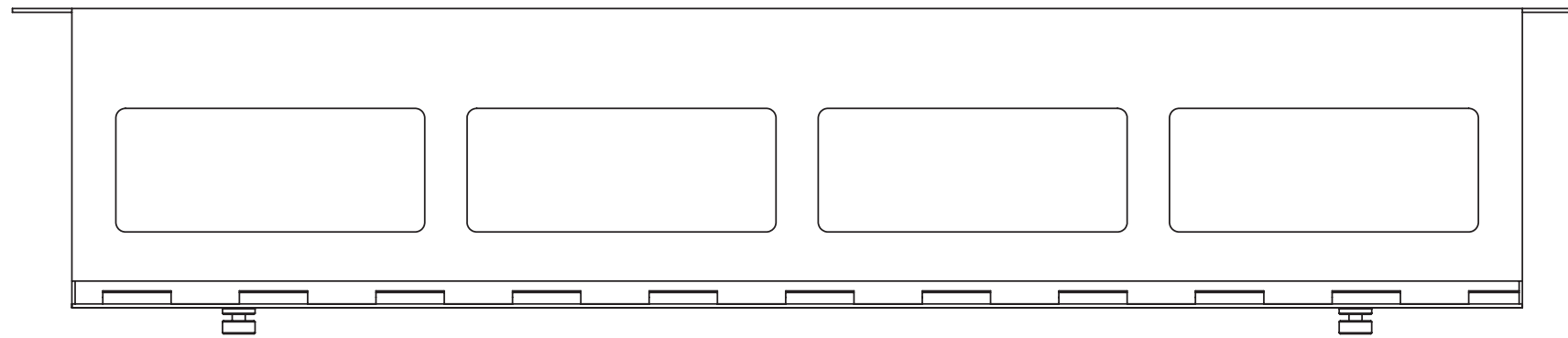
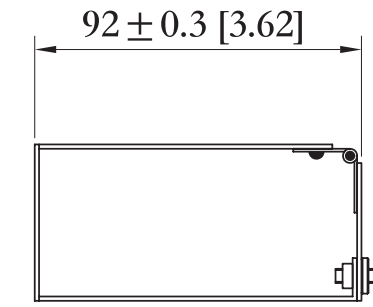
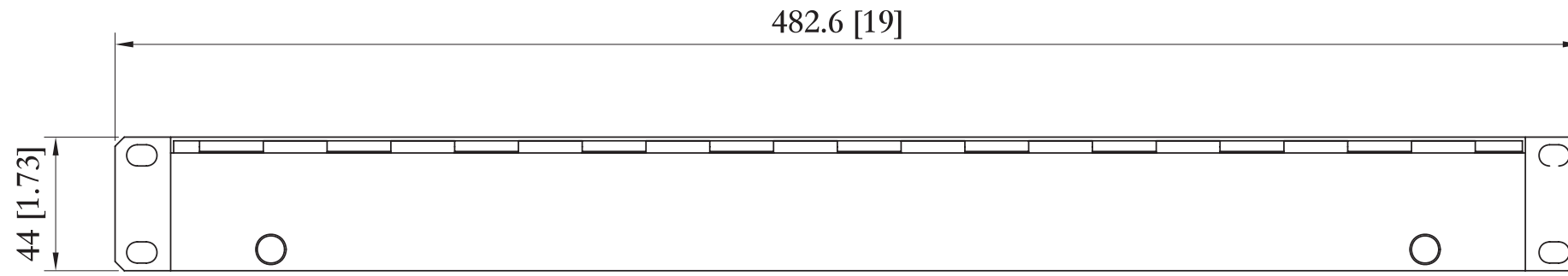


Technical Drawing



Note:

1. Dimensions are in mm and inches. Do not scale drawing
2. The information contained in this drawing is the sole property of Toten Canada

General Tolerances (GB1804-m)

Dimension Segment	Tolerance	Dimension Segment	Tolerance	Design	Date
2000~4000	± 2.0	30~120	± 0.3	Drawn Approval	Date
1000~2000	± 1.2	6~30	± 0.2	Customer Approval	Date
400~1000	± 0.8	3~6	± 0.1	Model Approval	Date
120~400	± 0.5	0.5~3	± 0.1		

Model	CM1UHD	Coating	Epoxy coated		
		Material	SPCC δ=1.2		
Name	1U Horizontal Hinged Cable Management		Quantity	Weight	Ratio
		☞ ⊕	1		1:5
DWG#		Page Num:	Total Pages:		
TOTEN CANADA ★					