

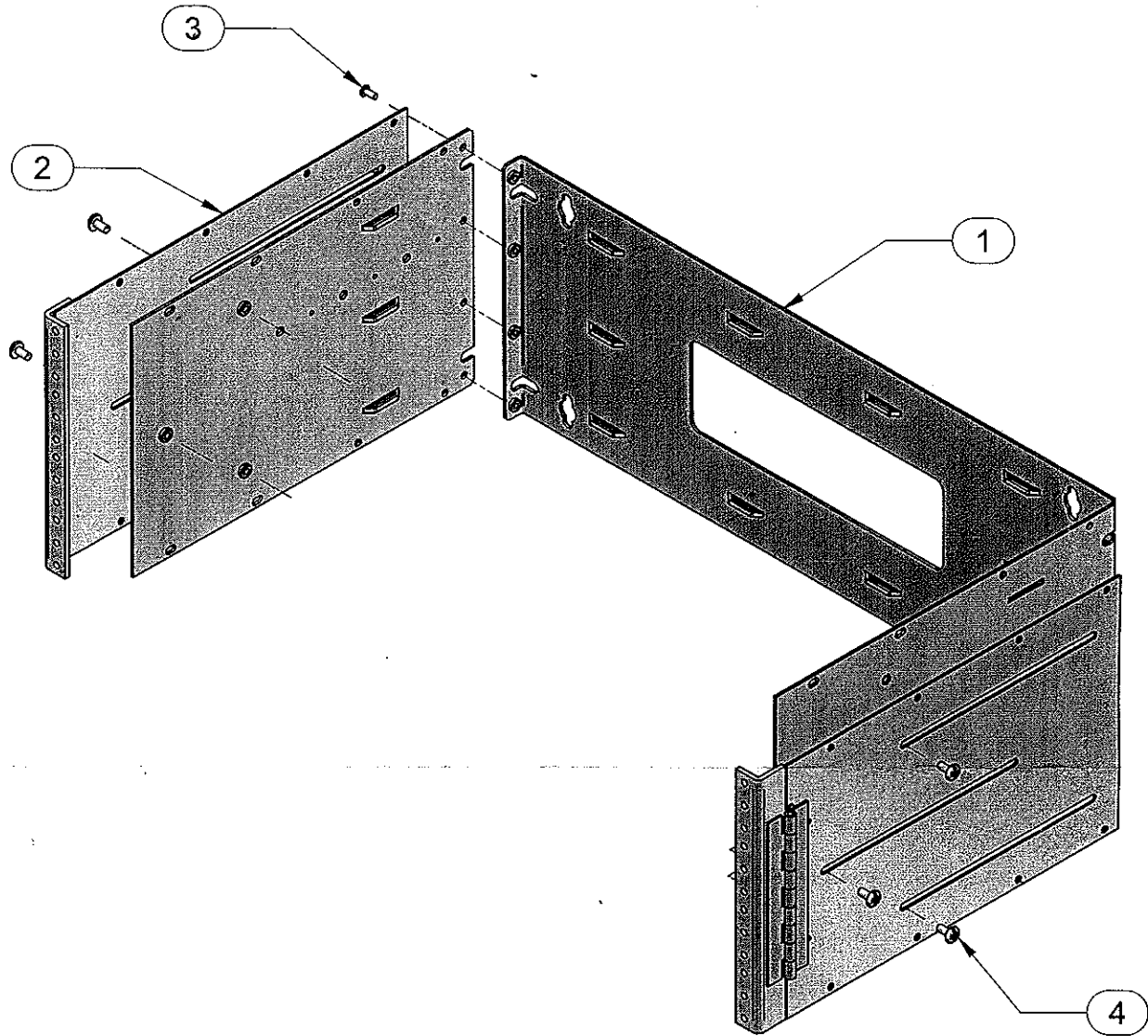
# APB - SERIES

## ASSEMBLY INSTRUCTIONS FOR ADJUSTABLE PANEL BRACKET

BUL10385

REV. A

PAGE 1 OF 1



### ASSEMBLY INSTRUCTIONS:

1) Align the Panel Ass'y (Item 1) with the Knock Down Side Wall so that the 4 holes match up.

2) Insert and tighten 4 screws (Item 3) using a Phillips Screw Driver.

3) Insert and tighten 3 screws (Item 4) on each Knock Down Side Wall (Item 2) with a Phillips Screw Driver.

### PARTS LIST

ITEM No.	DESCRIPTION	QTY
1	ADJUSTABLE PANEL BRACKET ASS'Y	1
2	KNOCK DOWN SIDE WALL	1
3	8-32 X 5/16 SCREWS	4
4	10-32 X 3/8 SCREWS	6

TOOL BOX



Phillips  
Screw Driver



**HAMMOND**  
**MANUFACTURING™**  
ELECTRONICS GROUP

visit our website @ [www.hammondmfg.com](http://www.hammondmfg.com)