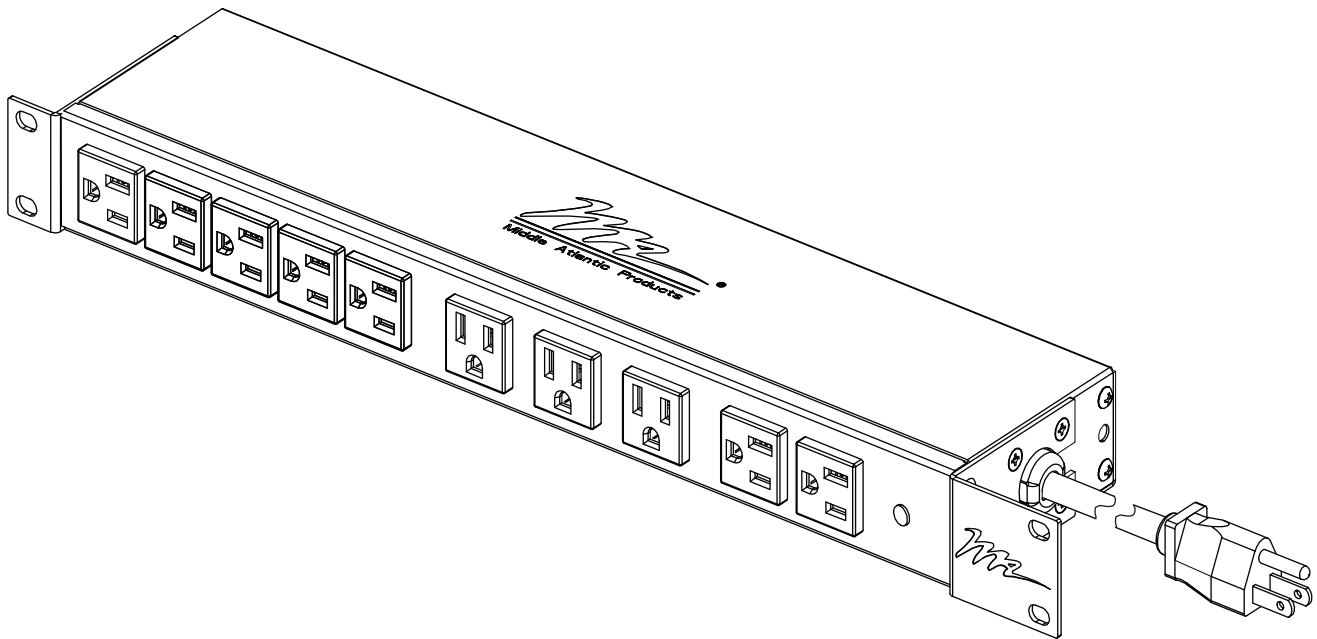


INSTRUCTION SHEET
PD-SERIES
MULTI-MOUNT™ POWER



THANK YOU

Thank you for purchasing Multi-Mount™ Series Power. Please read these instructions thoroughly before installing and connecting to this product.

MULTI-MOUNT POWER FEATURES

- Adjustable mounting ears for flexible installation options
- Mixed outlet orientation to accommodate various plug types based on model
- Provides a high outlet density in a compact size
- 2 Stages of surge and spike protection with dry contact surge status notification based on model



IMPORTANT SAFETY INSTRUCTIONS

READ AND SAVE THESE INSTRUCTIONS!
CONSERVER CES INSTRUCTIONS!

- Contains switched receptacle(s). To reduce risk of shock, disconnect the device from the power source before servicing any connected equipment

Contient de(s) receptacle(s) commuté(s). Pour réduire les risques d'électrocution, débranchez l'appareil de la source d'alimentation avant l'entretien de tout équipement connecté

- Do not overload the wall outlet where this device is being connected. Do not overload this device. Ensure the total load to this device does not exceed that which is listed in the specifications section of this manual

Ne surchargez pas le réceptacle de mur ou le circuit qui fournit l'énergie à ce appareil. Ne pas surcharger cette appareil. S'assurer que la charge totale à cet appareil ne dépasse pas celle qui est répertoriée dans la section des spécifications de ce manuel

- Ensure this device is connected to a properly grounded AC power source. Ensure the device is plugged into a source providing the required 120V. Do not use a plug adapter that defeats the ground pin of the AC plug

Assurez-vous cet appareil est connecté à une source d'alimentation C/A avec mise à la terre. Assurez-vous cet appareil est branché sur une source d'alimentation fournissant les nécessaires 120V. Ne pas utiliser un adaptateur qui contrecarre la broche de terre de la prise du cordon d'alimentation

- There are no user-serviceable components within this device. Removal of the cover from this device may present a shock hazard, and void the warranty

Il n'ya pas de composants réparables par l'utilisateur au sein de cet appareil. Retrait de la couverture de cet appareil peut présenter un danger d'électrocution et annuler la garantie

- To be used indoors in a dry location only

Pour être utilisé en intérieur dans un endroit sec seulement

- Do not operate with a damaged cord or plug

Ne pas faire fonctionner avec un cordon ou une prise endommagée

- Clean only with dry cloth

Nettoyer avec un chiffon sec seulement

IMPORTANT NOTES

- Install power strip in a 19" EIA-310 compliant rack or cabinet.

NOTE: The MAINS plug or an appliance coupler is used as the disconnect device, the disconnect device shall remain readily operable. The socket-outlet shall be installed near the equipment and shall be easily accessible.

MULTI-MOUNT PRODUCT FAMILY AND FEATURES

Model #	Circuit Breaker	# Front Outlets	# Rear Outlets	Power Status	Cord Length	Breaker Location	Power on Indication	Surge Protection
PD-2015R-NS	One 15 Amp	10	10	Unswitched	9'	Rear	LED on front	No
PD-2020R-NS	One 20 Amp	10	10	Unswitched	9'	Rear	LED on front	No
PD-2015R-HH-NS	One 15 Amp	10	10	Front switched Rear unswitched	9'	Rear	LED in switch on front LED on rear	No
PD-1815R-RN	One 15 Amp	9	9	Unswitched	9'	Rear	LED on front	2 stage with a N/O remote notification contact on the back
PD-1820R-RN	One 20 Amp	9	9	Unswitched	9'	Rear	LED on front	2 stage with a N/O remote notification contact on the back



DANGER HAZARDOUS VOLTAGE/DANGER HAUTE TENSION

The lightning flash with the arrowhead symbol, within an equilateral triangle is intended to alert the user to the presence of uninsulated dangerous voltage within the product's enclosure that may be of sufficient magnitude to constitute a risk of electric shock to persons.

L'éclair avec le symbole de flèche dans un triangle équilatéral est destiné à alerter l'utilisateur de la présence d'une tension dangereuse non isolée dans l'enceinte du produit qui peut être d'une ampleur suffisante pour constituer un risque de choc électrique pour les personnes.



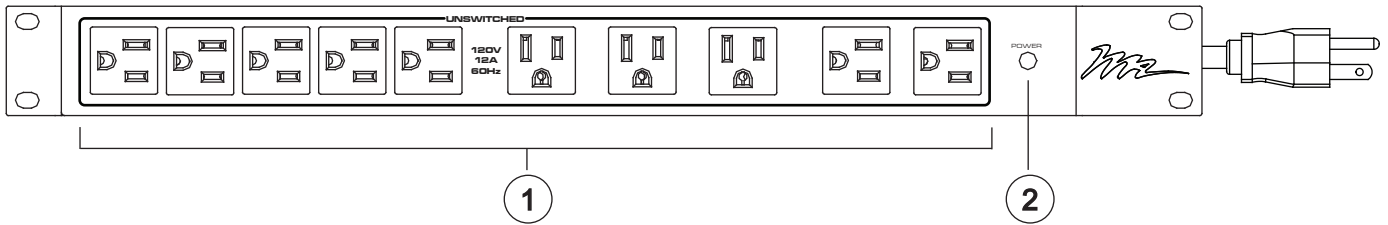
CAUTION/ATTENTION

The exclamation point within an equilateral triangle is intended to alert the user to the presence of important operating and maintenance (servicing) instructions in the literature accompanying the appliance.

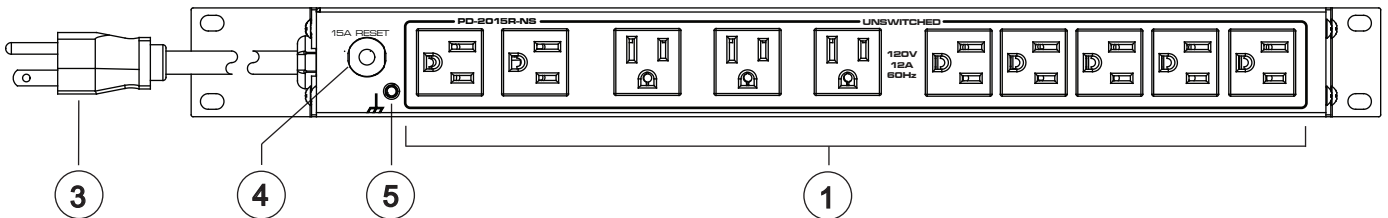
Le point d'exclamation dans un triangle équilatéral est destiné à alerter l'utilisateur de la présence d'importantes instructions d'opération et de maintenance (entretien) dans la documentation accompagnant l'appareil.

PD-2015R-NS

FRONT VIEW



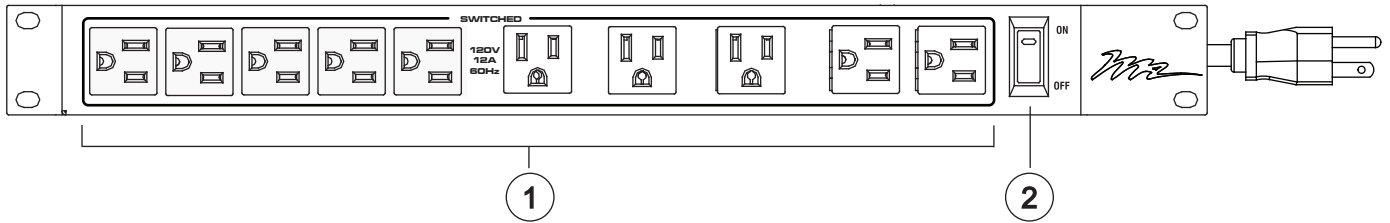
REAR VIEW



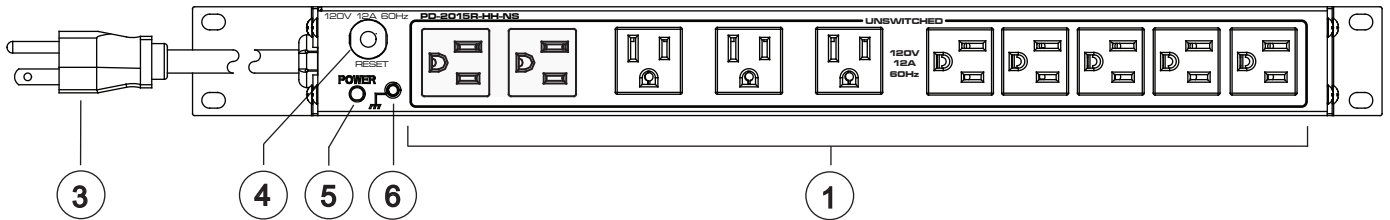
- ① NEMA 5-15R OUTLETS - All outlets unswitched.
- ② POWER INDICATOR LIGHT - When lit, indicates front outlets are energized.
- ③ 9' 14 AWG, 3 CONDUCTOR (SignalSAFE™) POWER CORD WITH NEMA 5-15P PLUG.
- ④ 15 AMP CIRCUIT BREAKER - Provides protection for both front and rear outlets.
- ⑤ SUPPLEMENTAL BONDING POINT - Supplemental bonding of this unit to the metal rack / enclosure helps ensure optimum performance of your electronic system.

PD-2015R-HH-NS

FRONT VIEW



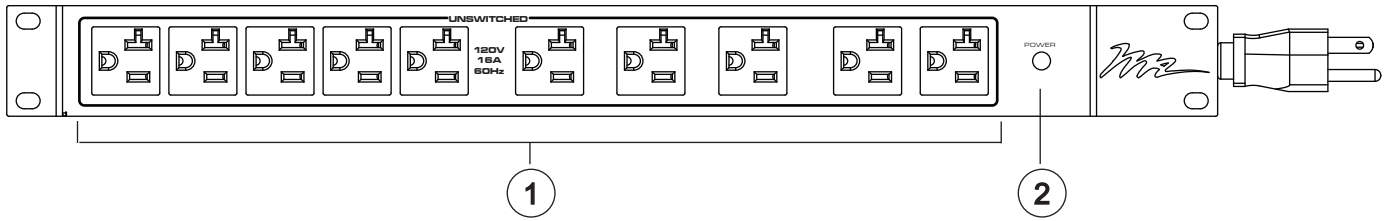
REAR VIEW



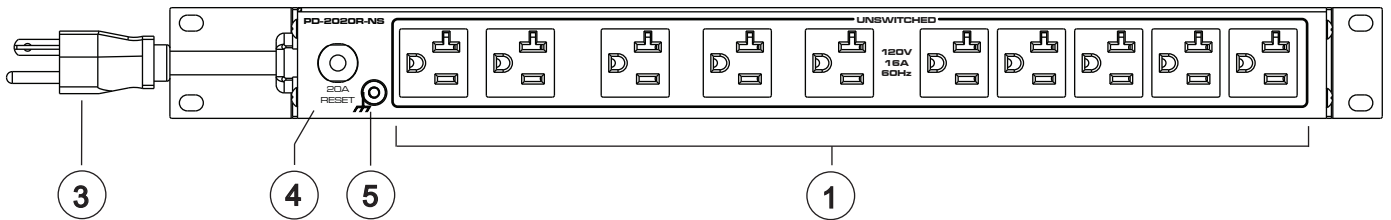
- ① NEMA 5-15R OUTLETS - Front outlets switched, rear outlets unswitched.
- ② ON / OFF SWITCH - Switches front outlets ONLY. Illuminates when front outlets are energized.
- ③ 9' 14 AWG, 3 CONDUCTOR (SignalSAFE™) POWER CORD WITH NEMA 5-15P PLUG.
- ④ 15 AMP CIRCUIT BREAKER - Provides protection for both front and rear outlets.
- ⑤ POWER INDICATOR LIGHT - When lit, indicates rear outlets are energized.
- ⑥ SUPPLEMENTAL BONDING POINT - Supplemental bonding of this unit to the metal rack / enclosure helps ensure optimum performance of your electronic system.

PD-2020R-NS

FRONT VIEW



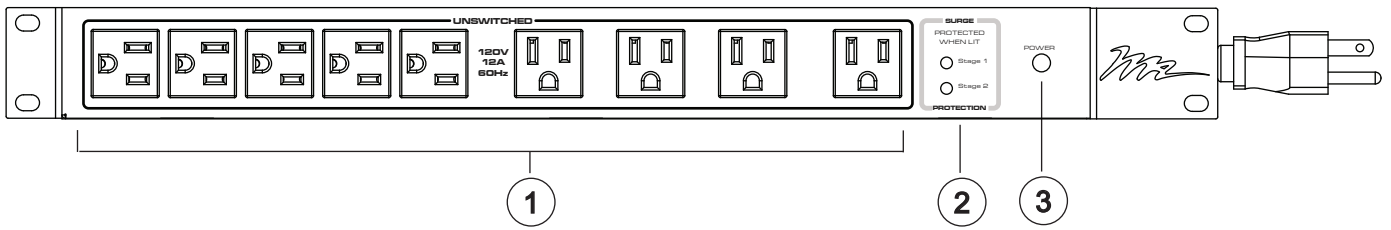
REAR VIEW



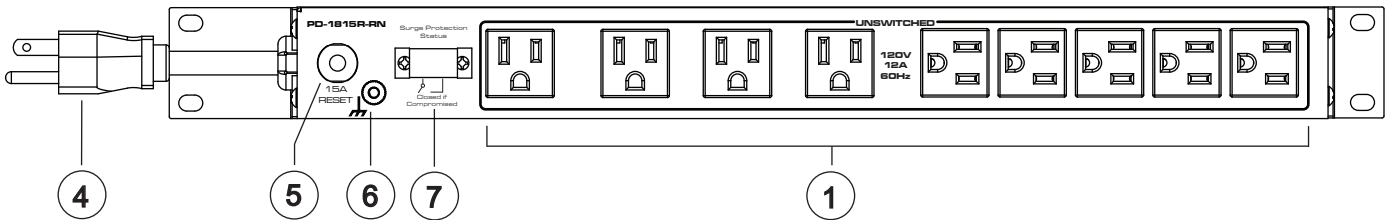
- ① NEMA 5-20R OUTLETS - All outlets unswitched.
- ② POWER INDICATOR LIGHT - When lit, indicates all outlets are energized.
- ③ 9' 12 AWG, 3 CONDUCTOR (SignalSAFE™) POWER CORD WITH NEMA 5-20P PLUG.
- ④ 20 AMP CIRCUIT BREAKER - Provides protection for both front and rear outlets.
- ⑤ SUPPLEMENTAL BONDING POINT - Supplemental bonding of this unit to the metal rack / enclosure helps ensure optimum performance of your electronic system.

PD-1815R-RN

FRONT VIEW



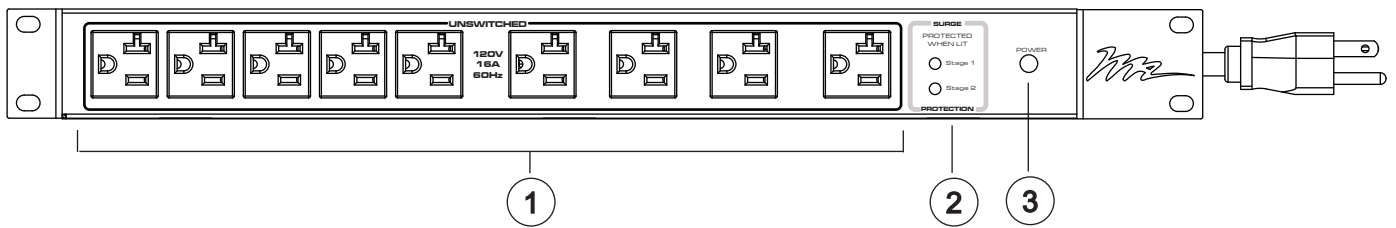
REAR VIEW



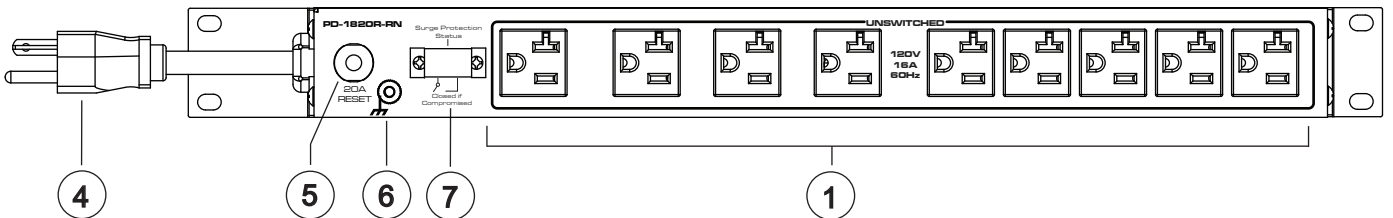
- ① NEMA 5-15R OUTLETS - All outlets unswitched.
- ② 2 STAGE SURGE PROTECTION INDICATOR - Full protection when both LEDs are lit. Protection status compromised if one or both LEDs are not lit.
- ③ POWER INDICATOR LIGHT - When lit, indicates all outlets are energized.
- ④ 9' 14 AWG, 3 CONDUCTOR (SignalSAFE™) POWER CORD WITH NEMA 5-15P PLUG.
- ⑤ 15 AMP CIRCUIT BREAKER - Provides protection for both front and rear outlets.
- ⑥ SUPPLEMENTAL BONDING POINT - Supplemental bonding of this unit to the metal rack / enclosure helps ensure optimum performance of your electronic system.
- ⑦ SURGE PROTECTION STATUS - "Normally Open" remote notification dry contact, closed if compromised.

PD-1820R-RN

FRONT VIEW



REAR VIEW

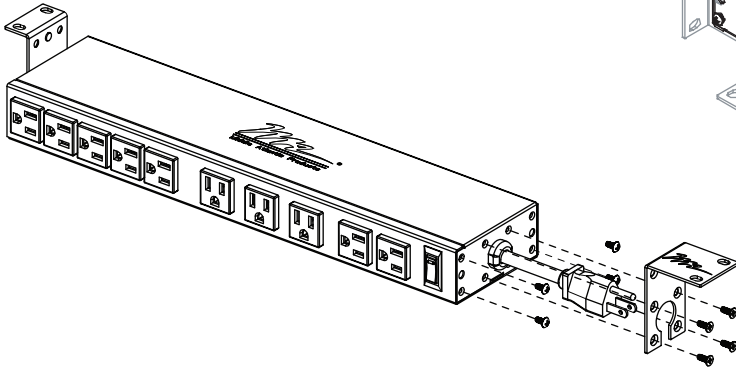
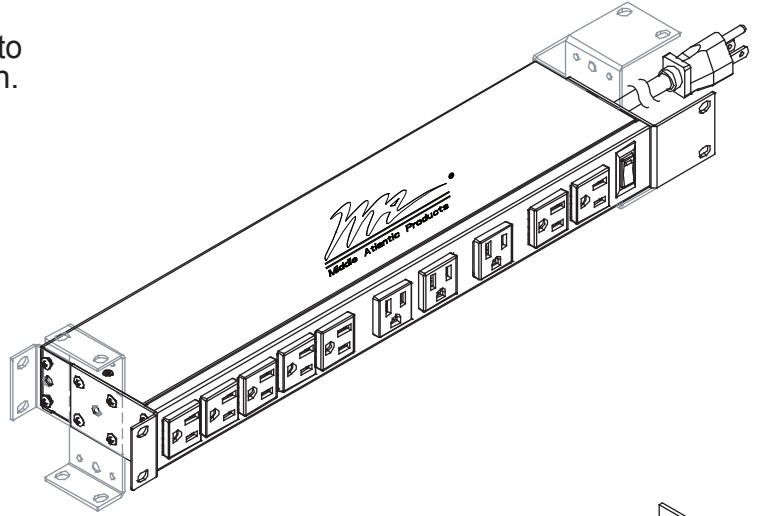


- ① NEMA 5-20R OUTLETS - All outlets unswitched.
- ② 2 STAGE SURGE PROTECTION INDICATOR - Full protection when both LEDs are lit. Protection status compromised if one or both LEDs are not lit.
- ③ POWER INDICATOR LIGHT - When lit, indicates all outlets are energized.
- ④ 9' 12 AWG, 3 CONDUCTOR (SignalSAFE™) POWER CORD WITH NEMA 5-20P PLUG.
- ⑤ 20 AMP CIRCUIT BREAKER - Provides protection for both front and rear outlets.
- ⑥ SUPPLEMENTAL BONDING POINT - Supplemental bonding of this unit to the metal rack / enclosure helps ensure optimum performance of your electronic system.
- ⑦ SURGE PROTECTION STATUS - "Normally Open" remote notification dry contact, closed if compromised.

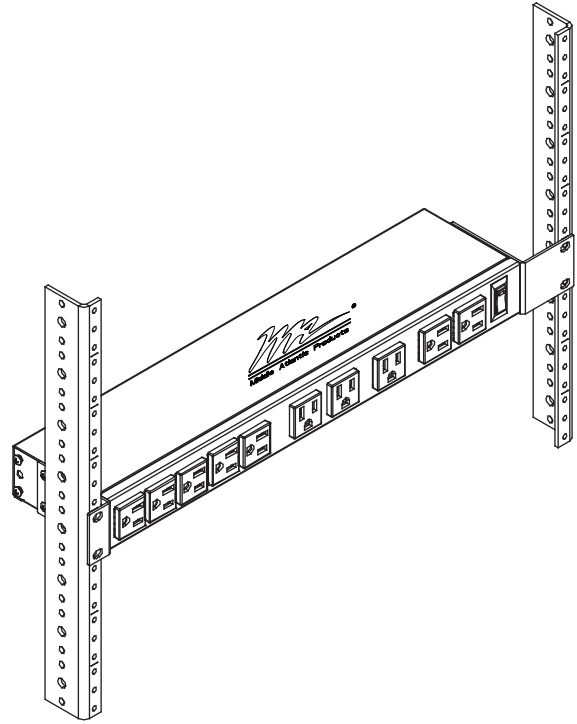
FLEXIBLE MOUNTING OPTIONS USING STANDARD OR EXTRA DEPTH MOUNTING EARS

NOTE: Mounting ears (standard or extra depth) can be rotated in 90° increments for a variety of mounting positions as shown.

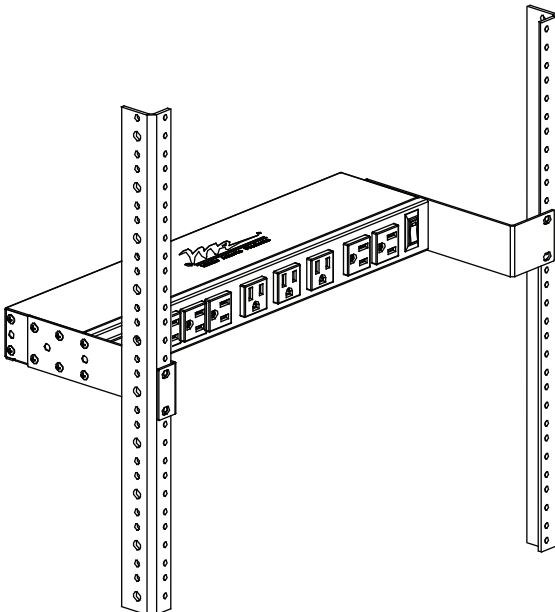
- 1) Remove screws and rotate both mounting ears to desired position. Re-insert screws and tighten.
- 2) Insert pan head screws when positioned at 90° angle to cap unused holes.
- 3) Attach to rackrail or flat surface as shown.



(STANDARD MOUNTING EARS SHOWN)

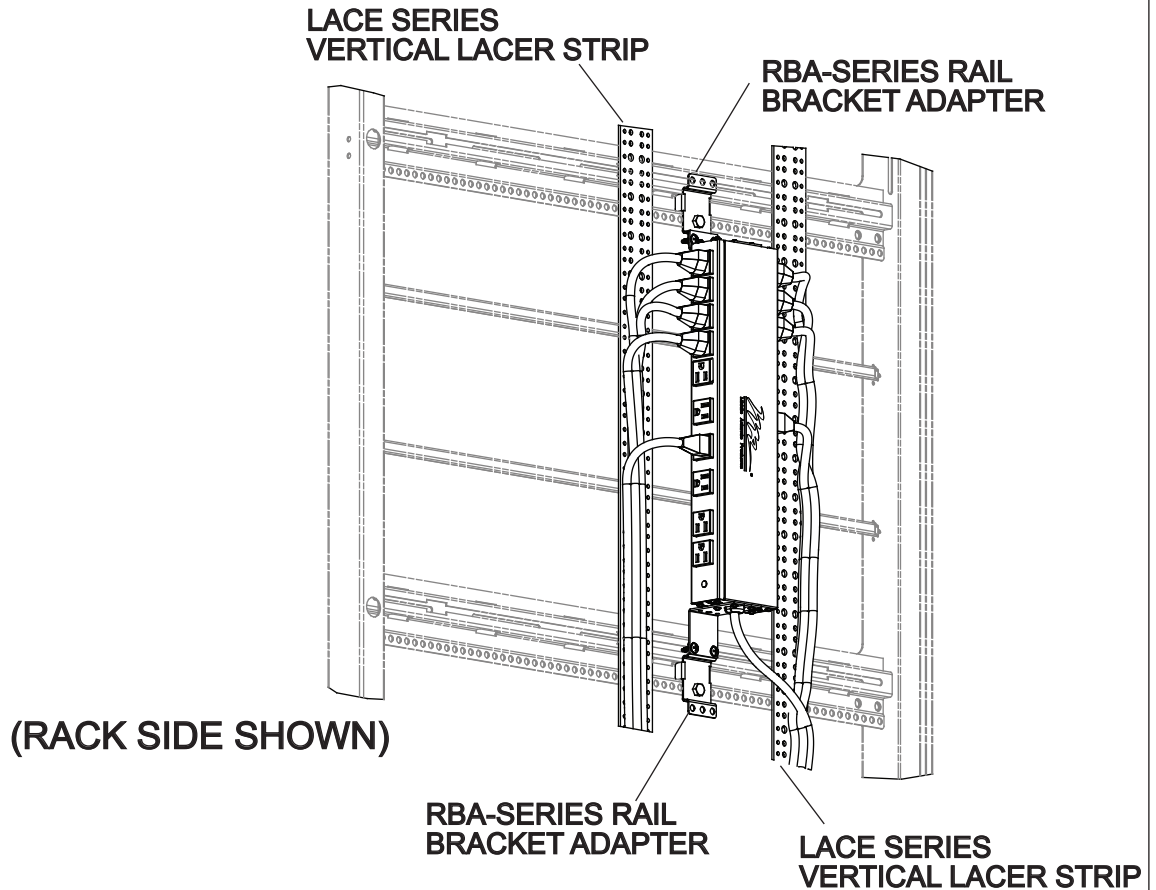


(EXTRA DEPTH MOUNTING EARS SHOWN)



FLEXIBLE MOUNTING OPTIONS USING STANDARD OR EXTRA DEPTH MOUNTING EARS (Continued)

- 4) Optional RBA-Series rail bracket adapters and vertical lacer strips (sold separately) allow the Multi-Mount Power unit to be vertically mounted between the rail brackets of WRK, MRK and VRK racks. The use of LACE Series vertical lacer strips is recommended to aid with cable management.



WARRANTY

Middle Atlantic Products, Inc. (the "Company") warrants the Multi - Mount Series™ Power Units to be free from defects in material or workmanship under normal use and conditions for a period of (3) three years from date of shipment by the company. The Company's entire liability to the purchaser, and the purchaser's (or any other party's) sole and exclusive remedy, under this warranty shall be limited, at the Company's option, to either (a) return of and refund of the price paid for, or (b) repair or replacement at the Company's factory of the products purchased, or any part or parts thereof, which the Company has determined to be defective after inspection thereof at the Company's factory. This warranty does not cover damage due to acts of God, accident, misuse, abuse or negligence by parties other than the Company, or any modification or alteration of the products. In addition, this warranty does not cover damage due to improper handling, assembly, installation or maintenance.

THIS WARRANTY IS IN LIEU OF ALL OTHER WARRANTIES OF ANY KIND, EITHER EXPRESSED OR IMPLIED, INCLUDING, BUT NOT LIMITED TO, IMPLIED WARRANTIES OF MERCHANTABILITY AND FITNESS FOR A PARTICULAR PURPOSE.

TO THE MAXIMUM EXTENT PERMITTED BY APPLICABLE LAW, IN NO EVENT SHALL THE COMPANY BE LIABLE FOR ANY SPECIAL, INCIDENTAL, INDIRECT, OR CONSEQUENTIAL DAMAGES WHATSOEVER (INCLUDING, WITHOUT LIMITATION, DAMAGES FOR LOSS OF BUSINESS PROFITS, BUSINESS INTERRUPTION OR ANY OTHER PECUNIARY LOSS) ARISING OUT OF THE USE OF THE PRODUCTS PURCHASED, EVEN IF THE COMPANY HAS BEEN ADVISED OF THE POSSIBILITY OF SUCH DAMAGES. THE COMPANY'S LIABILITY TO THE PURCHASER (OR ANY OTHER PARTY) HEREUNDER, IF ANY, SHALL IN NO EVENT EXCEED THE PURCHASE PRICE OF THE PRODUCTS PAID TO THE COMPANY.

Corporate Headquarters

Corporate Voice 973-839-1011 - Fax 973-839-1976 / International Voice +1 973-839-8821 - Fax +1 973-839-4982
middleatlantic.com - info@middleatlantic.com

Middle Atlantic Canada

Voice 613-836-2501 - Fax 613-836-2690 / middleatlantic.ca - customerservicecanada@middleatlantic.ca

Factory Distribution

USA: NJ - CA - IL Canada: ON - BC

At Middle Atlantic Products we are always listening. Your comments are welcome.

Middle Atlantic Products is an ISO 9001 and ISO 14001 Registered Company.

